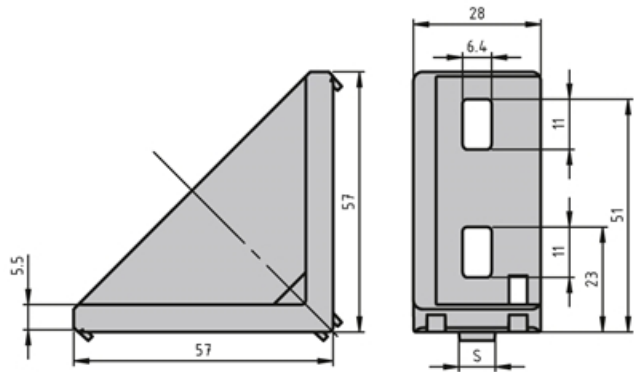


## Bracket 30 × 60

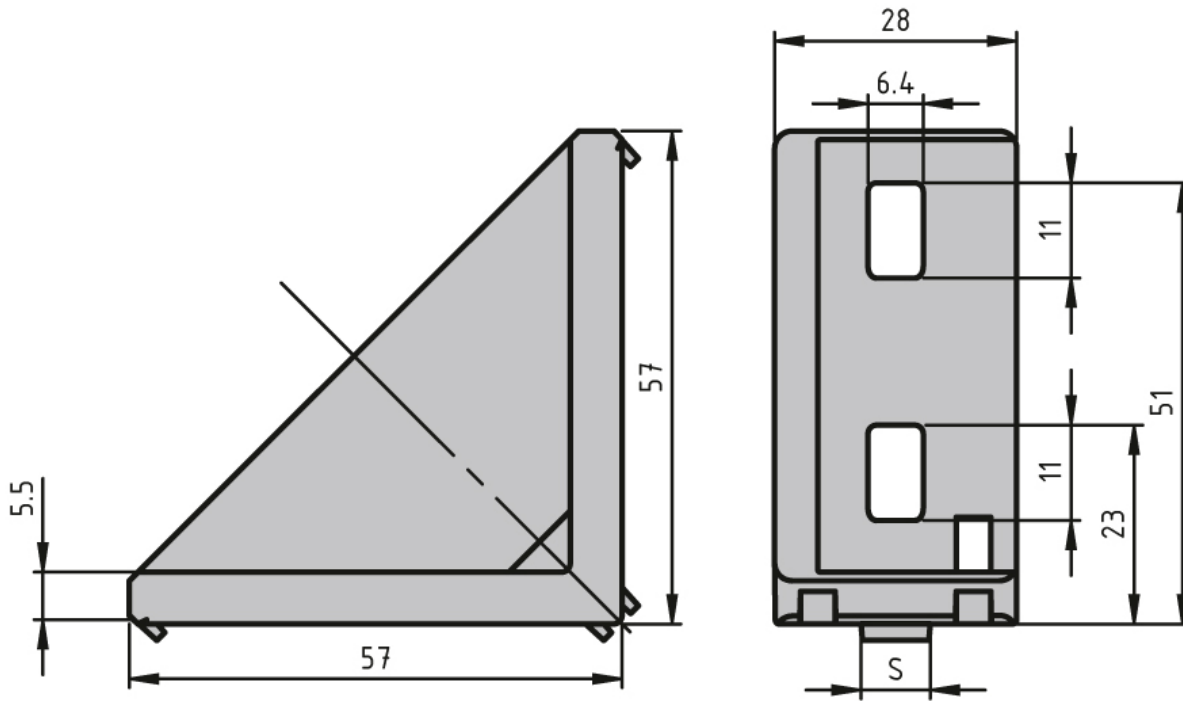
Material: Bracket: Uncoated die-cast aluminium  
Cap: Black plastic (PA)  
Mounting kit: Galvanised steel

Mounting kit includes:  
4× slot nut with M6 step  
4× M6×14 screw (ISO7380 )  
4× washer (DIN 125)

**System: 6**



**Variant Data**



Designation	Description	Slot	ESD
PZ5004	Bracket 30 × 60 with mounting material and ABDK	6	Yes