

Bracket 30 × 30

Material: Bracket: Die-cast zinc, uncoated and silver powder coated.

Cap: Black plastic (PA)

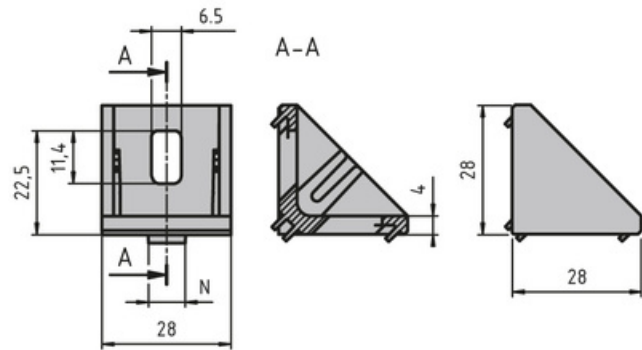
Mounting kit: Galvanised steel

Mounting material:

2× M6 slot 6 slot nuts with step

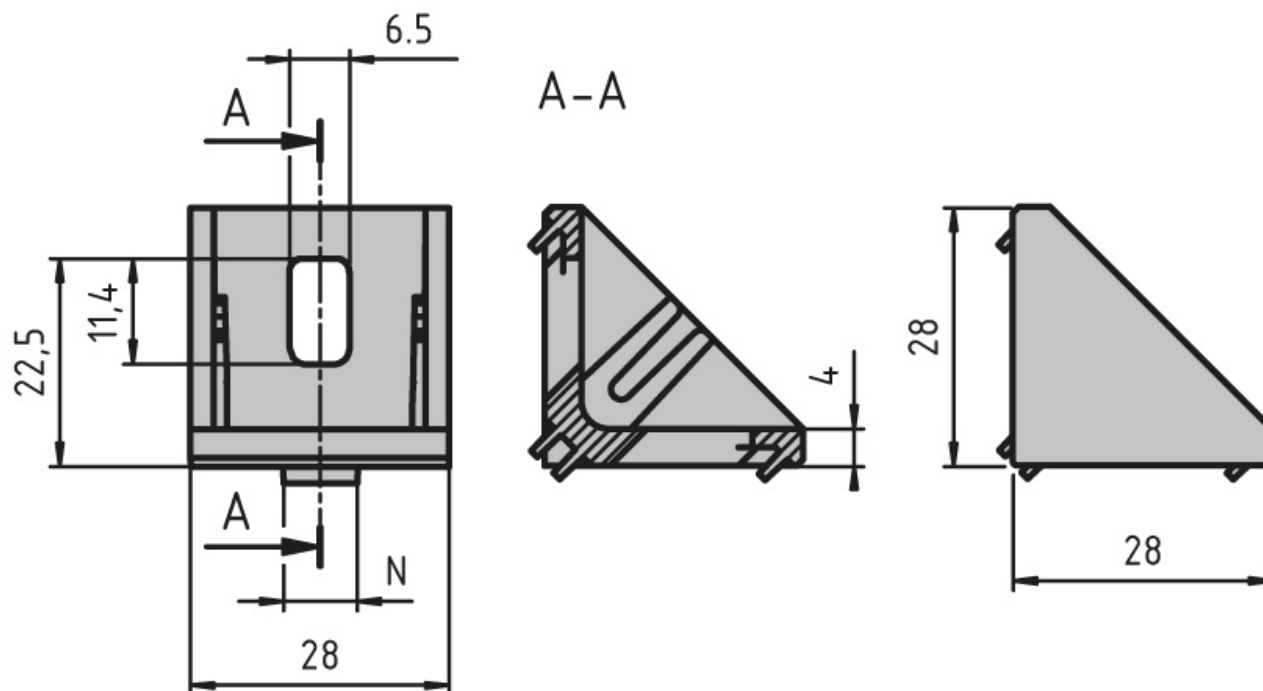
2× M6 × 14 screw (DIN 7380)

System: 6



F_{max}	M_{max1}	M_{max2}
F_{max} (N)	M_{max1} (Nm)	M_{max2} (Nm)
800	15	40

Variant Data



Designation	Description	Slot	ESD
PZ5001	Bracket 30 × 30	6	-
PZ5002	Bracket 30 × 30 with mounting material and ABDK	6	-
PZ5003	Bracket 30 × 30 silver powder coated with mounting material and ABDK	6	Yes
PA1202	Cap 30 × 30	-	-