

## Natural Colour Handle Bar Profile

Handle bar profile for general use on swing and sliding doors, drawers etc.

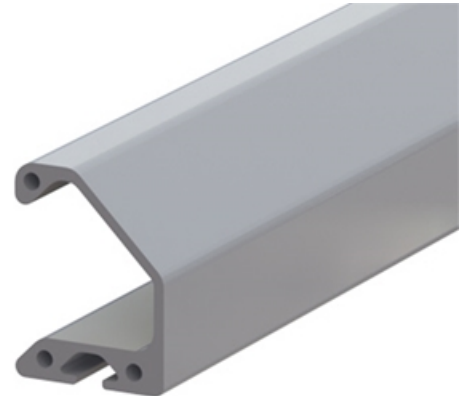
The ergonomic profile protects the hand against injury.

The handle bar profile will give extra stability to surface elements it is attached to.

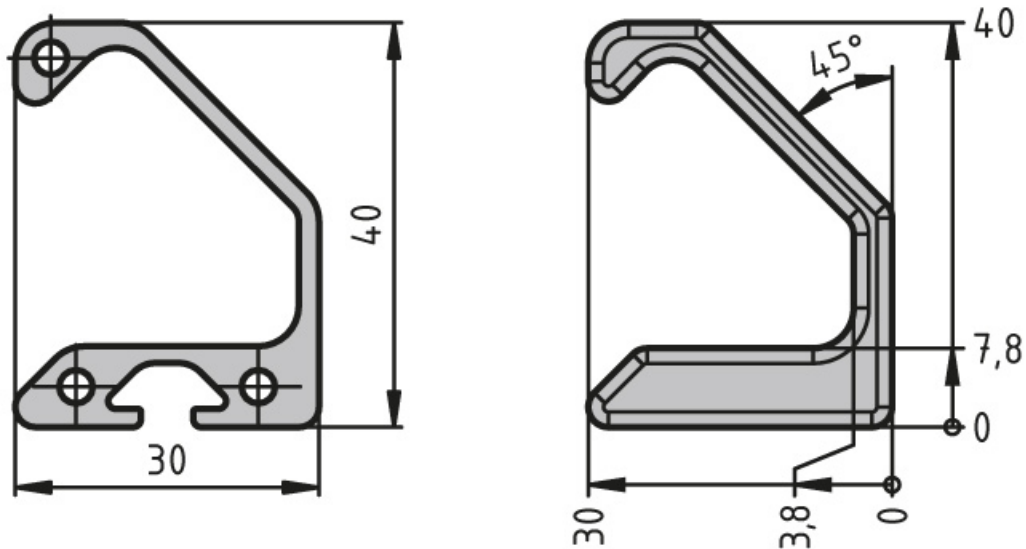
Material: Handle bar profile: Anodised aluminium; Caps: Black plastic (PA), fibreglass reinforced

Mounting instruction: ESD-ready only if using notched slot nuts.

**System:** 40; 5; 6



## Variant Data



Designation	Description	Slot	ESD	Length
PP1440	Handle bar profile	5	Yes	3000
PA1055	Set of caps for handle bars, T = 4 mm	-	-	-