

Castor with Fitted Flange

Sturdy castors with fitted flange.

Run very smoothly and are a particularly good choice for workshops.

Sold as lockable steering castor and fixed castor.

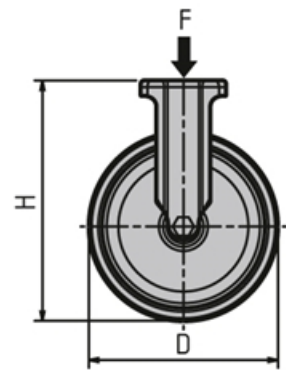
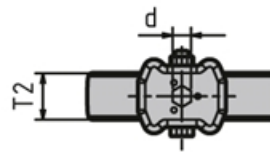
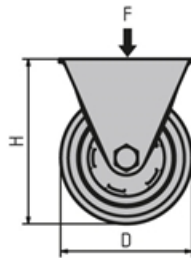
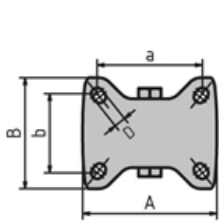
Lockable steering castor: locks to prevent the wheel from rolling and turning

Material: Wheel: Solid rubber; rim: polypropylene;

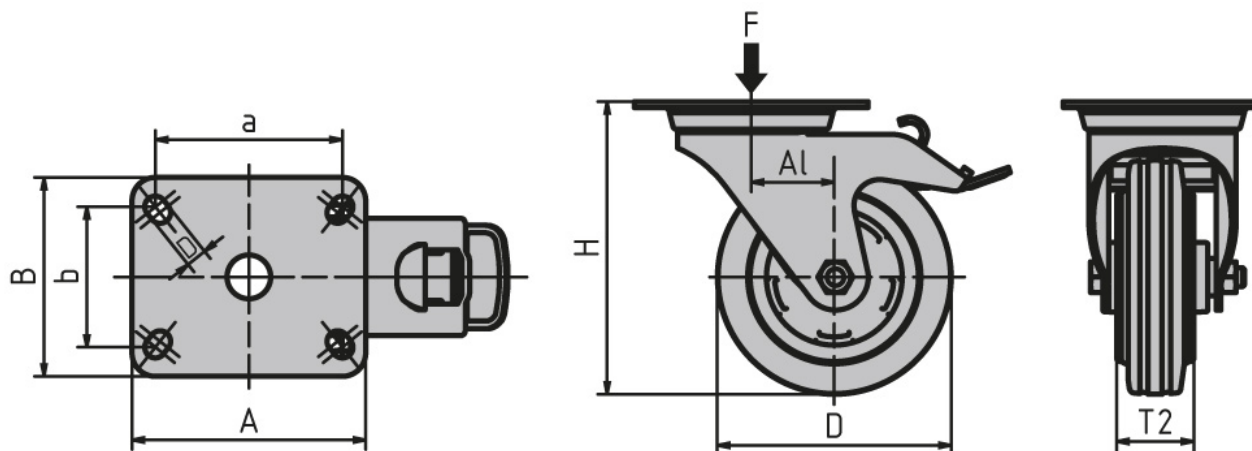
Housing: Galvanised steel sheet; transparent chromate coating

System: 40 - Slot 8; 30 - Slot 6; 20 - Slot 5

Type: Castors



General Data



Designation	Description	A	B	D	H
PZ5099	Steering castor	100	85	100	125
PZ5100	Steering castor	100	85	125	150
PZ5101	Fixed castor	-	-	75	98
PZ5102	Fixed castor	-	-	75	98
PZ5103	Fixed castor	100	85	100	125
PZ5104	Fixed castor	100	85	125	150

Designation	ESD	b	d	F (N)	a	T2
PZ5099	-	60	9	700	80	30
PZ5100	Yes	60	9	1000	80	37.5
PZ5101	-	-	11	750	-	25
PZ5102	-	-	11	750	-	25
PZ5103	-	60	9	700	80	30
PZ5104	-	60	9	1000	80	37.5

Designation	AI
PZ5099	36
PZ5100	40
PZ5101	-
PZ5102	-
PZ5103	-
PZ5104	-