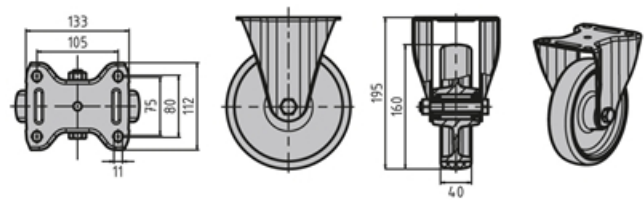
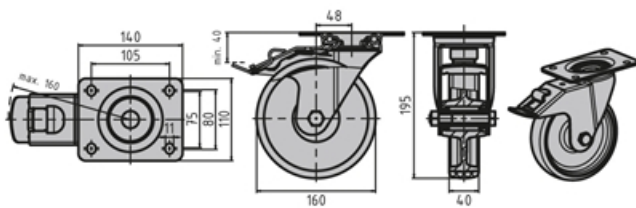


Heavy-Duty Castor

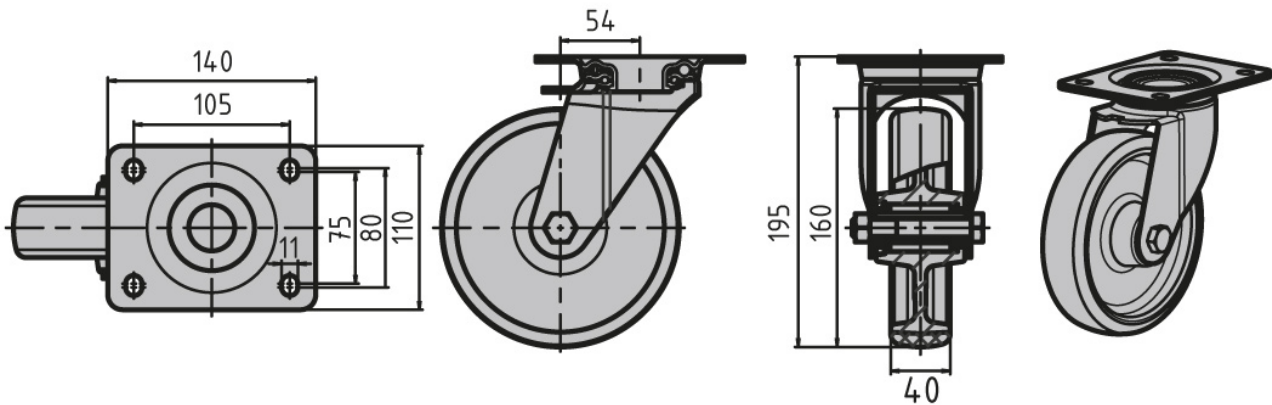
Heavy-duty castor with fitted flange.
 Sold as lockable and non-lockable steering castor and fixed castor.
 Particularly sturdy for use in workshops.
 The castors run extremely smooth.
 Material: Galvanised steel; transparent chromate coating;
 Wheel: TPU

Required accessories:
 M10×16 screw (ISO4762), A10.5 washer (DIN125),
 1FSt lock washer for fastening the castor on the mounting plate.
 Hammer head screw, flanged nut, M12 or S12 centre bolt for
 fastening the mounting plate on the profile frame.

System: 6; 40; 5



Variant Data



Designation	Description	F (N)
PZ5231	Lockable steering castor	3000
PZ5232	Steering castor	3000
PZ5233	Fixed castor	3000