

## Base Plate

For retaining knuckle feet, rollers, hooks or similar components.

Screws to the face end of profiles.

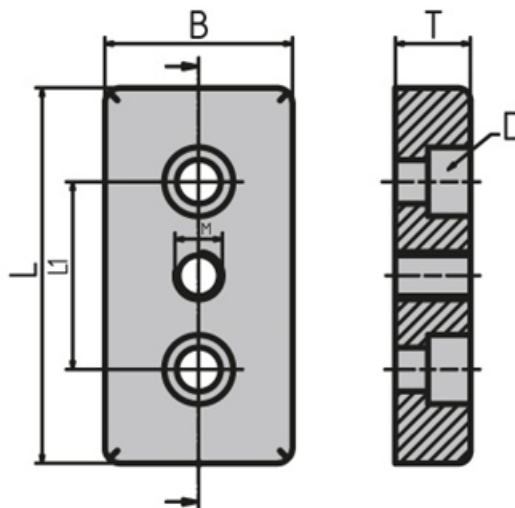
Material: Die-cast zinc with a black powder coat.

Recommended screws:

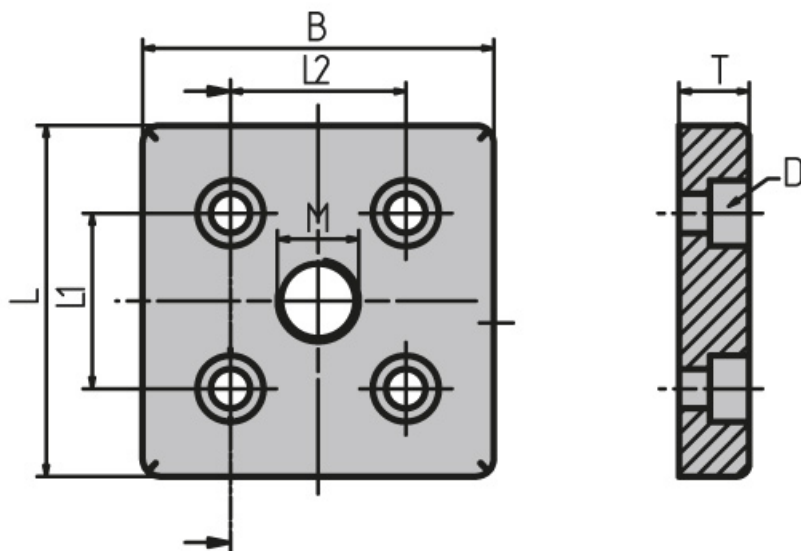
D5.5 = galvanised M5 × 30 screw (DIN912)

D7 = galvanised M6 × 30 screw (DIN912)

**System:** 6; 5



## Variant Data



Designation	Thread	D	B x L	L1	L2
PZ2315	M10	7 (M6)	30 x 60	30	-
PZ3020	M12	7 (M6)	30 x 60	30	-
PZ3025	M16	7 (M6)	30 x 60	20	-
PZ4015	M10	5.5 (M5)	40 x 40 (slot 5)	20	-
PZ4020	M12	5.5 (M5)	40 x 40 (slot 5)	20	-
PZ4025	M16	5.5 (M5)	40 x 40 (slot 5)	20	-
PZ3035	M10	7 (M6)	60 x 60	30	30
PZ3040	M12	7 (M6)	60 x 60	30	30
PZ3045	M16	7 (M6)	60 x 60	30	30

Designation	T
PZ2315	12
PZ3020	12
PZ3025	12
PZ4015	12
PZ4020	12
PZ4025	12
PZ3035	12
PZ3040	12
PZ3045	12