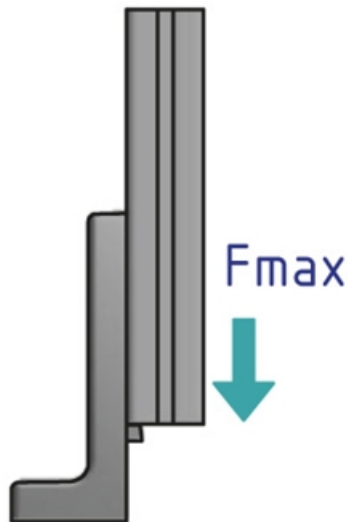


Height-Adjustable Floor Angle

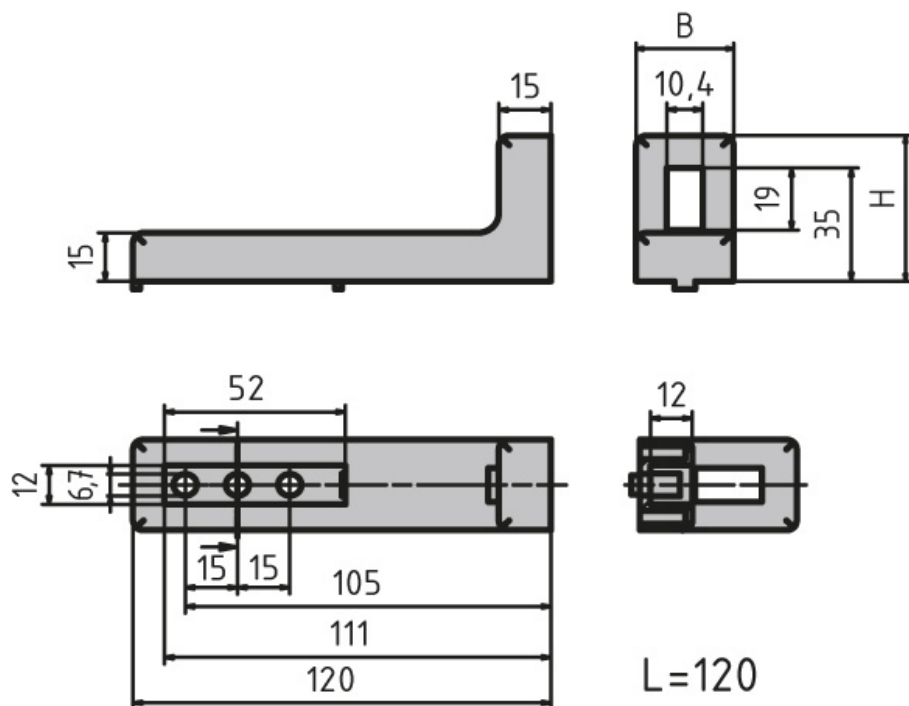
Creates a height-adjustable link between aluminium profiles and the floor.
Package includes the adjustment screw and threaded plate.
Material: Die-cast zinc

Note: To install the ESD-ready floor angles, use a notched slot nut in order to make a conductive link.

System: 6; 5



Variant Data



Designation	Material	Slot	ESD	Fmax (N)	L x H x W
PZ5021	Uncoated	6	Yes	2500	120 x 45 x 28
PZ3081	Black powder coated	6	-	2500	120 x 45 x 28