

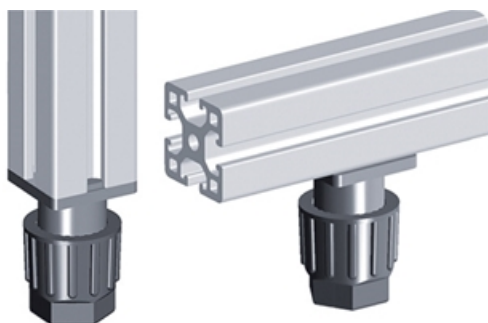
Adjustable Levelling Foot

Compact levelling knuckle foot that mounts on aluminium profiles.

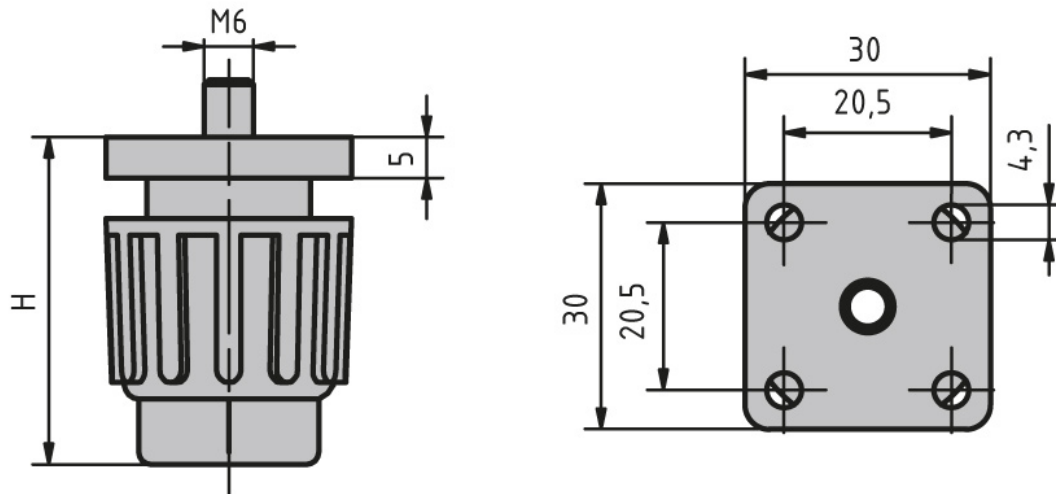
Material: Housing: Plastic (PA), fibreglass-reinforced

Mechanism: Galvanised steel. Carrying capacity: 150 kg

System: 6; 5



Variant Data



Designation	Description	Slot	Thread	H	Hole Spacing
PZ5109	Adjustable levelling foot	6	M6	35-50	20.5

Designation	Profile
PZ5109	30