

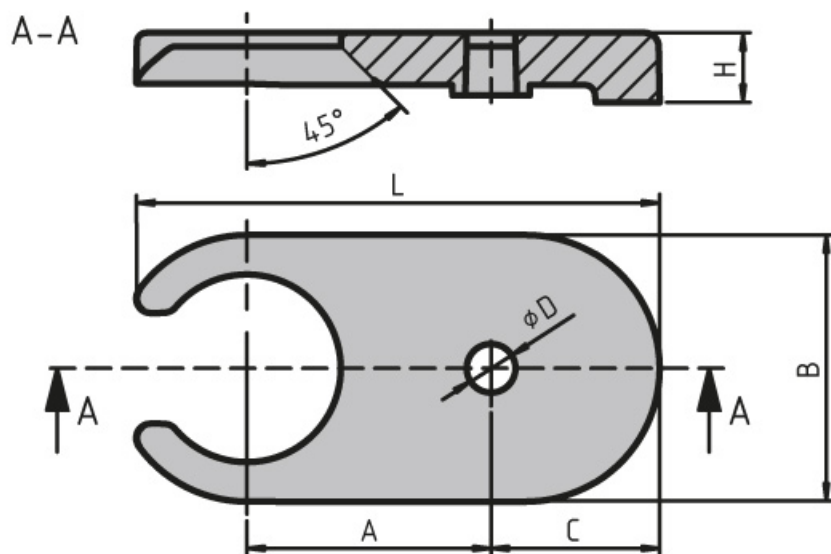
Floor Mount for Trapezoid Base

Now or later mounts the trapezoid knuckle foot on the floor.
Material: Die-cast zinc with a black powder coat

System: 40; 6; 5



Variant Data



Designation	Description	A	B	C	D
PZ3135	Floor mount for trapezoid base 60	50	56	38	12
PZ1455	Floor mount for trapezoid base 80	70	76.5	38	14

Designation	H	L
PZ3135	18	110
PZ1455	20	150