

Base for Steady Knuckle Feet

Steady knuckle foot for levelling out uneven floors; no mounting holes.

Material: Plastic (PA), fibreglass-reinforced

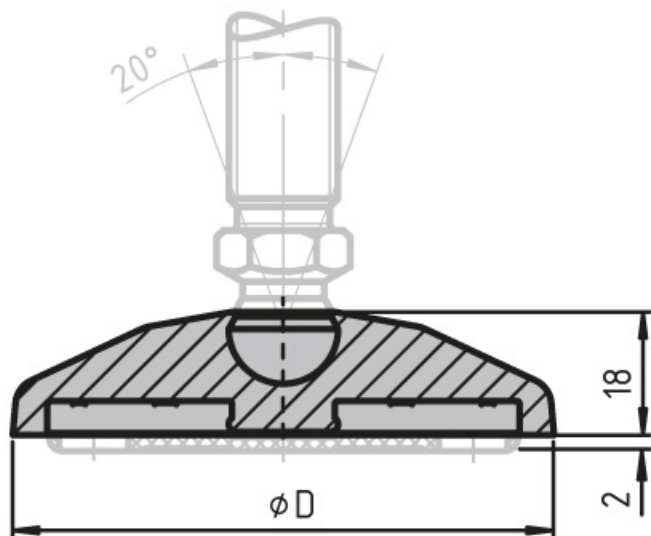
Colour: Black

Matching threaded rod: Threaded rod for steady knuckle feet for levelling

System: 40; 6; 5



Variant Data



Designation	Description	D	Carrying Capacity (kg)	Size
PZ5215	Base for steady knuckle feet	49	1200	50
PZ5216	Base for steady knuckle feet with anti-slip plate	49	1200	50
PZ5217	Base for steady knuckle feet	59	1200	60
PZ5218	Base for steady knuckle feet with anti-slip plate	59	1200	60
PZ5219	Base for steady knuckle feet	79	1200	80
PZ5220	Base for steady knuckle feet with anti-slip plate	79	1200	80
PZ5221	Base for steady knuckle feet	99	1200	100
PZ5222	Base for steady knuckle feet with anti-slip plate	99	1200	100