

Trapezoid Base for Hinged Knuckle Feet, Ball 15

Pivoting knuckle foot for levelling out uneven floors.

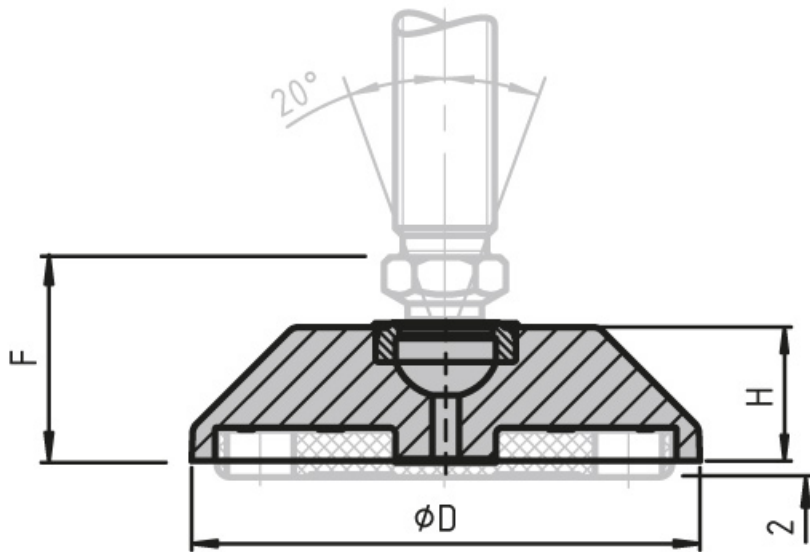
Material: Die-cast zinc with a black powder coat

Matching threaded rod: Threaded rod for hinged knuckle foot, ball 15

System: 40; 6; 5



Variant Data



Designation	Description	D	H	Carrying Capacity (kg)	Size
PZ5184	Trapezoid base for hinged knuckle feet	59	18	2500	60
PZ5185	Trapezoid base for hinged knuckle feet with anti-slip plate	59	18	2500	60
PZ5186	Trapezoid base for hinged knuckle feet	79	20	3000	80
PZ5187	Trapezoid base for hinged knuckle feet with anti-slip plate	79	20	3000	80