

## Base for Hinged Knuckle Feet, Ball 15

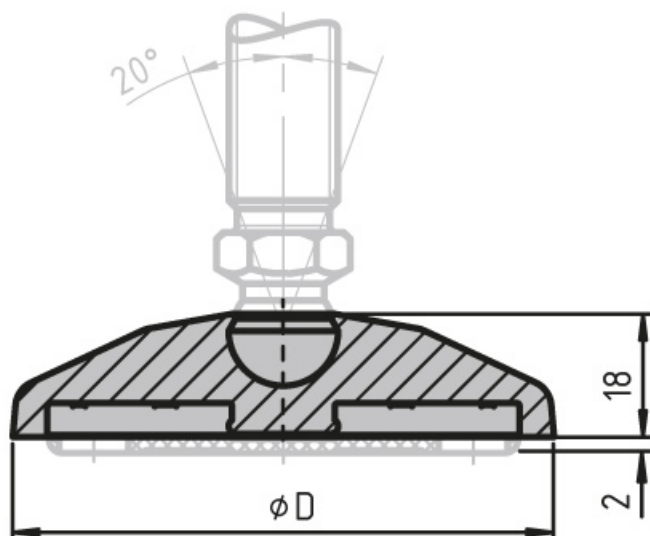
Pivoting knuckle foot for levelling out uneven floors; no mounting hole.

Matching threaded rod: Threaded rod for hinged knuckle foot, ball 15

**System:** 40; 6; 5



## Variant Data



Designation	Description	Material	D	ESD	Carrying Capacity (kg)
PZ5158	Plate 30	Black plastic (PA)	29	-	500
PZ5159	Plate 30	Black plastic (PA) with absorber plate	29	-	500
PZ5160	Plate 30	Stainless steel (1.4305)	29	Yes	2000
PZ5161	Plate 30	Die-cast zinc with a black powder coat	29	-	2000
PZ5162	Plate 40	Black plastic (PA)	39	-	900
PZ5163	Plate 40	Black plastic (PA) with absorber plate	39	-	900
PZ5164	Plate 40	Black plastic (PA) with absorber plate	39	Yes	900
PZ5165	Plate 40	Stainless steel (1.4305)	39	Yes	3000
PZ5166	Plate 40	Die-cast zinc with a black powder coat	39	-	3000
PZ5167	Plate 45	Black plastic (PA)	44	-	900
PZ5168	Plate 45	Black plastic (PA) with absorber plate	44	-	900
PZ5169	Plate 50	Black plastic (PA)	49	-	900
PZ5170	Plate 50	50 Black plastic (PA) with absorber plate	49	-	900
PZ5171	Plate 50	50 Black plastic (PA) with absorber plate	49	Yes	900
PZ5172	Plate 60	Black plastic (PA)	59	-	900
PZ5173	Plate 60	Black plastic (PA) with absorber plate	59	-	900
PZ5174	Plate 60	Black plastic (PA) with absorber plate	59	Yes	900
PZ5175	Plate 60	Stainless steel (1.4305)	59	Yes	3500

**Variant Data**

Designation	Description	Material	D	ESD	Carrying Capacity (kg)
PZ5176	Plate 60	Die-cast zinc with a black powder coat	59	-	3000
PZ5177	Plate 80	Black plastic (PA)	79	-	900
PZ5178	Plate 80	Black plastic (PA) with absorber plate	79	-	900
PZ5179	Plate 80	Stainless steel (1.4305)	79	Yes	3500
PZ5180	Plate 80	Die-cast zinc with a black powder coat	79	-	3000
PZ5181	Plate 80	Black plastic (PA) with absorber plate	79	Yes	900
PZ5182	Plate 100	Black plastic (PA)	99	-	900
PZ5183	Plate 100	Black plastic (PA) with absorber plate	99	-	900