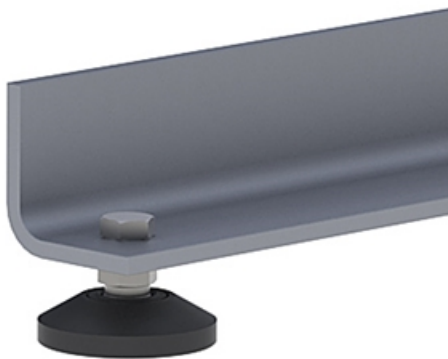
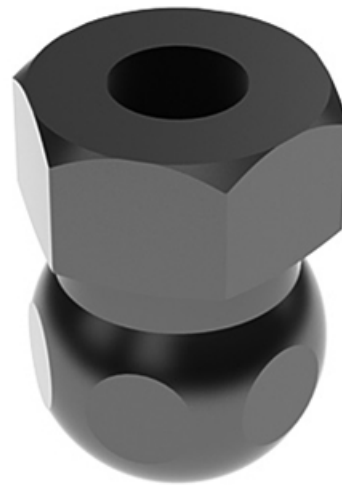


Ball Head 15 with Female Thread

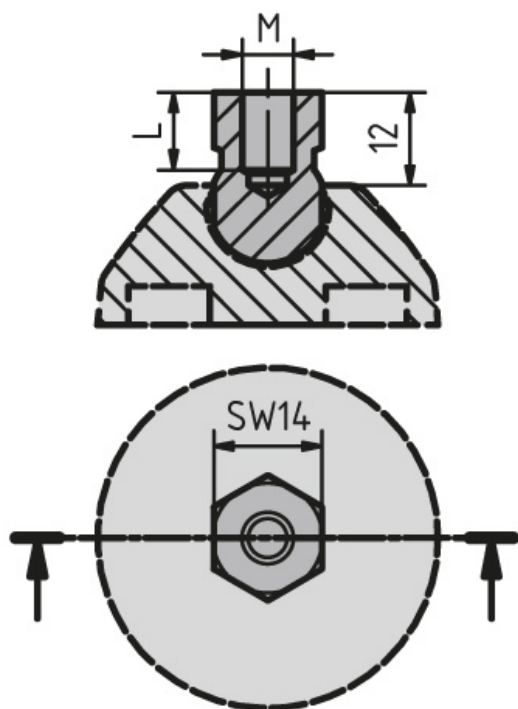
Directly links knuckle feet by means of a standard screw.
For hinged steel/stainless steel knuckle feet
Material: Galvanised/stainless steel: 1.4305

System: 30 - Slot 6; 20 - Slot 5

Type: Feet



General Data



Designation	Description	Material	MxL
PZ5154	Ball 15	Galvanised steel	6x10
PZ5155	Ball 15	Stainless steel	6x10
PZ5156	Ball 15	Galvanised steel	8x10
PZ5157	Ball 15	Stainless steel	8x10