

Cube Connector

Links up to three aluminium profiles at a right angle, use the caps to cover the holes.

Cube connector material: Die-cast aluminium

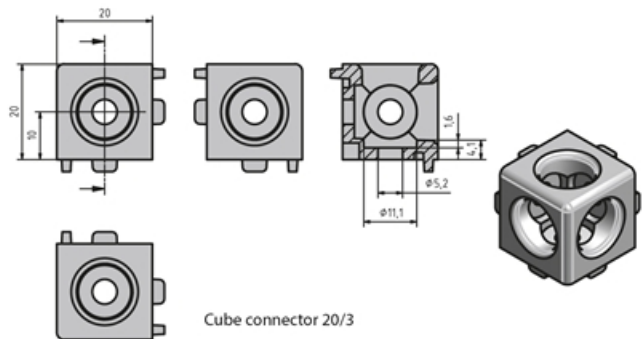
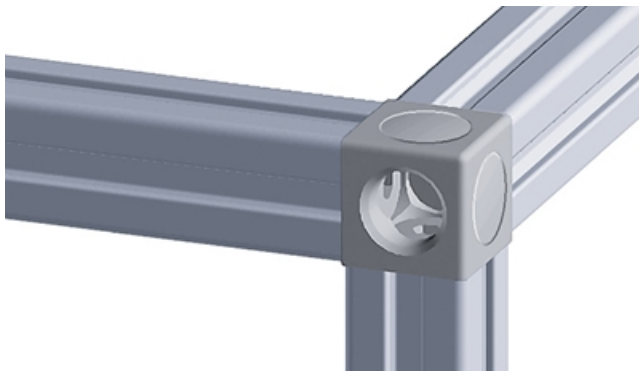
Cap material: Plastic (PE)

Mounting material WV20: M5 × 14 pan head screw (ISO7380)

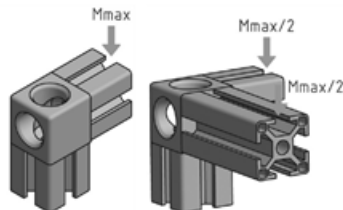
Mounting material WV40: M8 × 25 countersunk screw (DIN7991)

Note: The caps in the sets are not ESD-ready.

System: 5

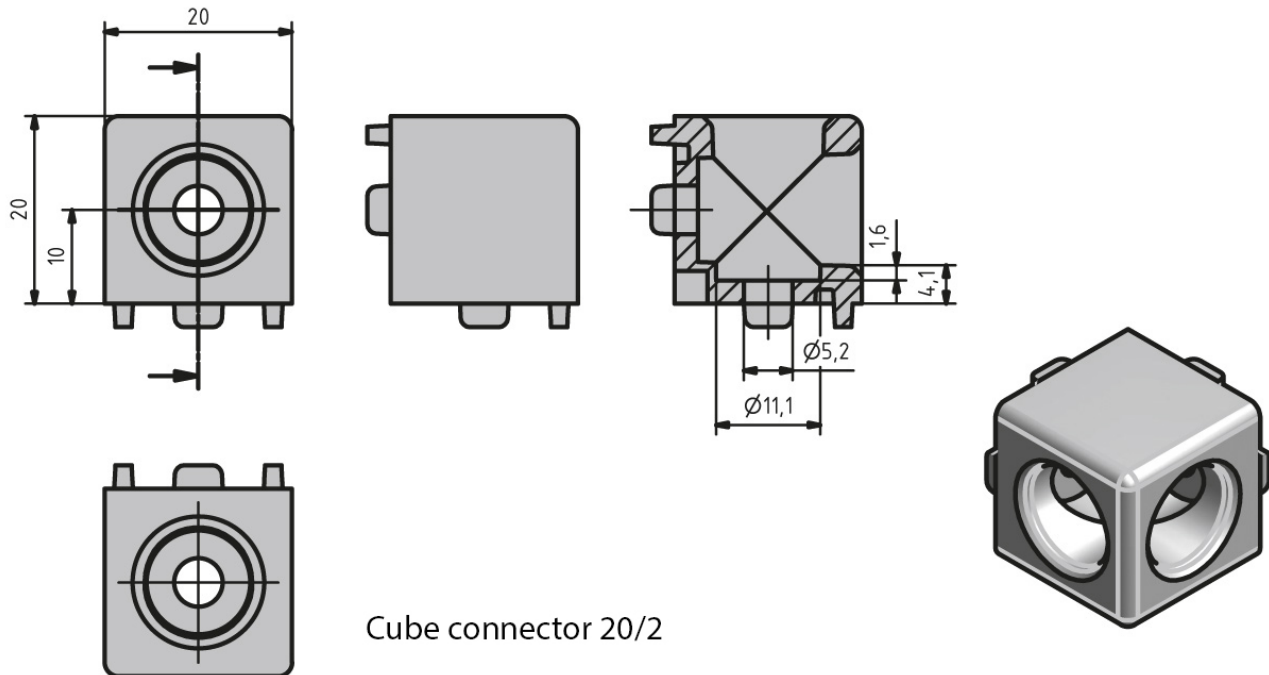


Cube connector 20 loads



Type	Mmax (Nm)	Mmax/2 (Nm)
Cube connector 20/2	15	
Cube connector 20/3		18

Variant Data



Cube connector 20/2

Designation	Description	Slot	ESD
PV1224	Cube connector 20/2, uncoated aluminium, 2 black PE caps and mounting kit included	5	Yes
PV1225	Cube connector 20/2, silver coated aluminium, 2 silver PE caps and mounting kit included	5	-
PV1226	Cube connector 20/3, uncoated aluminium, 3 black PE caps and mounting kit included	5	Yes
PV1227	Cube connector 20/3, silver coated aluminium, 3 silver PE caps and mounting kit included	5	-
PA1211	Black cap for cube connector 20	-	-
PA1212	Silver cap for cube connector 20	-	-