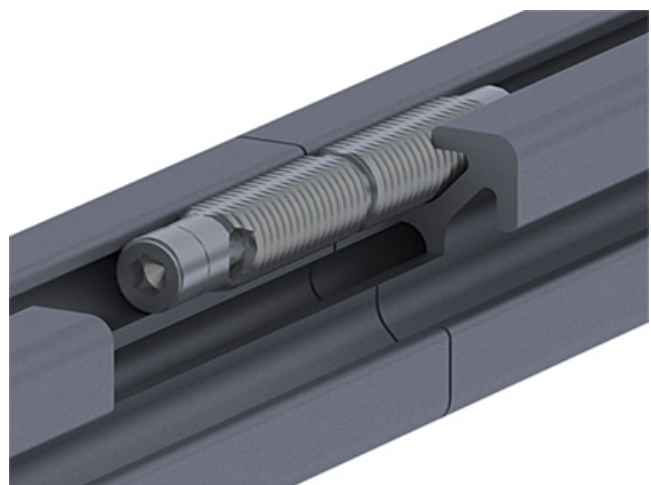
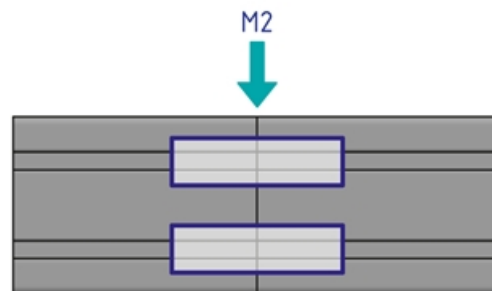
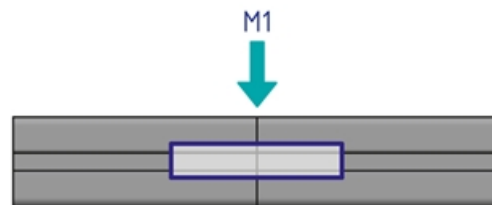
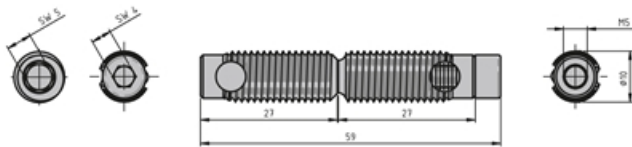


Automatic Butt Connector

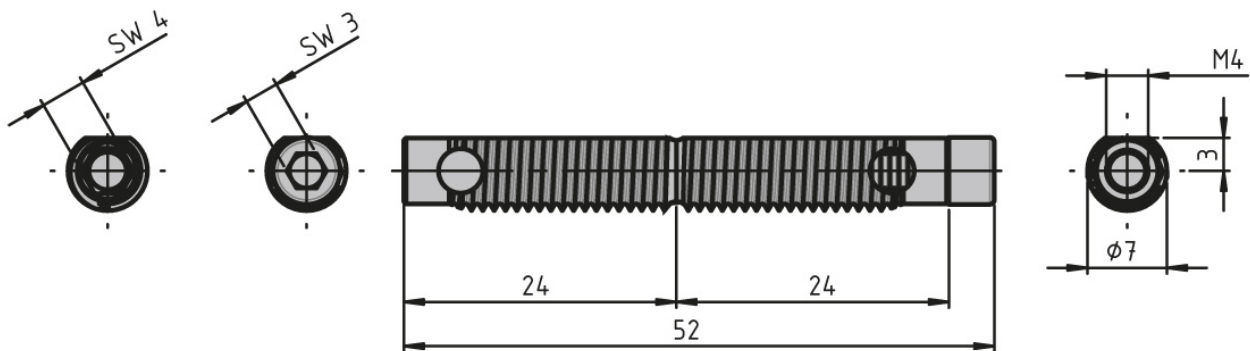
Use the automatic butt connector to quickly and easily link the face ends of two profiles from the same series without having to machine the profiles beforehand. Best practice is to use the automatic butt connectors in pairs. You may need several pairs, depending on the size and load on the profiles. Package includes the screw and cutting bush.

Note: The load values refer to connectors installed in pairs

System: 6; 5; 40



Variant Data



Designation	Description	Slot	M (Nm)	F (N)
PV4040	Set of automatic butt connectors	5	22	1500
PV1209	Set of automatic butt connectors	5	22	1500
PV3050	Set of automatic butt connectors	6	45	1800
PV1210	Set of automatic butt connectors	6	45	1800
PV1105	Set of automatic butt connectors	8	140 (40x40L) / 170 (40x40)	4500