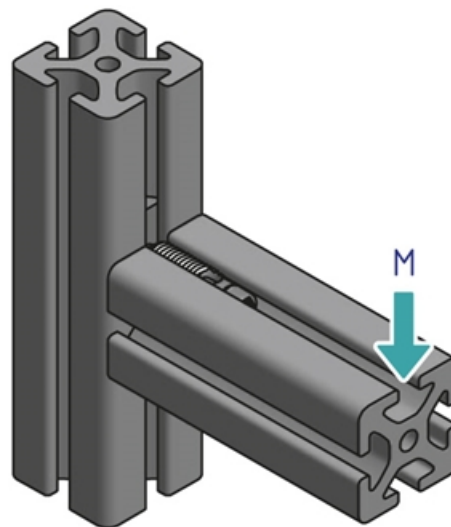
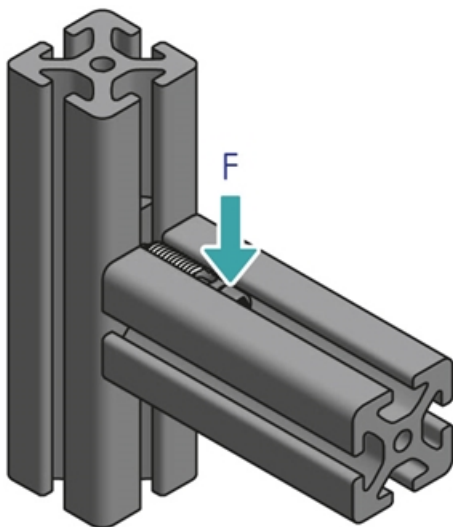
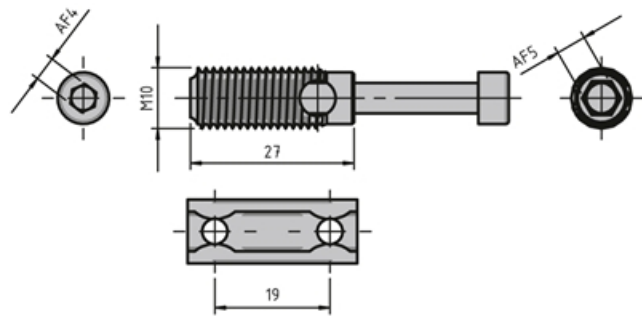
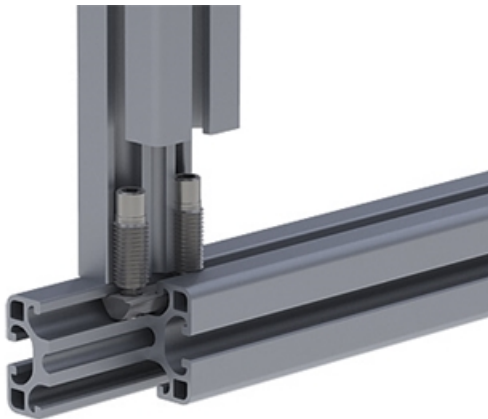


Automatic Combination Connector

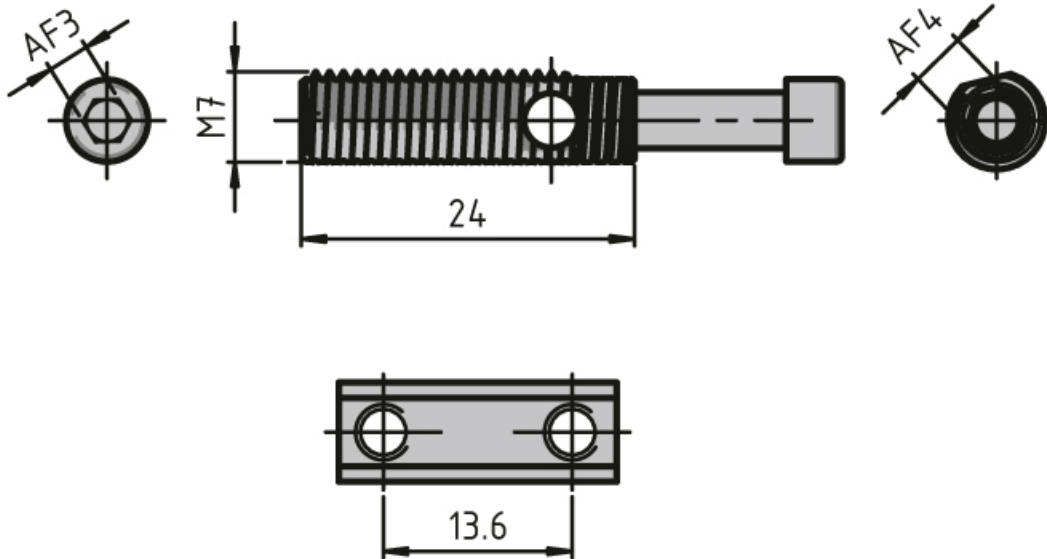
Quickly and reliably links two aluminium profiles without having to modify them.

Material: Galvanised steel

System: 6; 5



Variant Data



Designation	Description	Slot	M (Nm)	F (N)
PV1204	Automatic combination connector 20 including slot nut with guide step	5	6	350
PV1205	Automatic combination connector 30 including slot nut with guide step	6	35	600