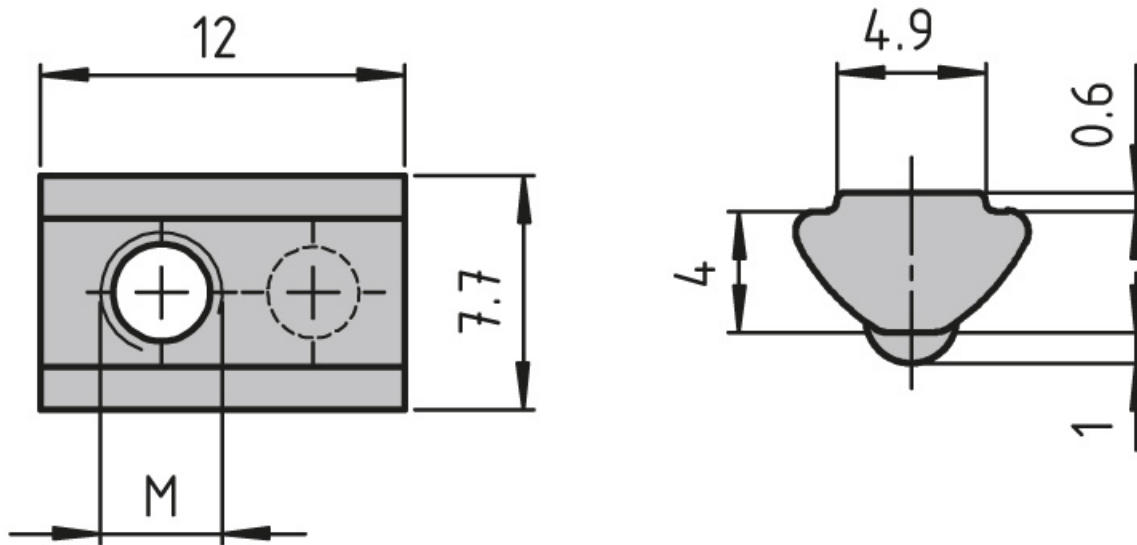


## Pivoting Slot Nut, 7.7 × 4.0 mm

System: 5



## Variant Data



Designation	Description	Slot	Thread	Fmax (N)
PN4010	Pivoting slot nut, ball spring, step	5	M3	500
PN4015	Pivoting slot nut, ball spring, step	5	M4	500
PN4020	Pivoting slot nut, ball spring, step	5	M5	500
PN2005	Pivoting slot nut profile, step L=1500	5	-	-