

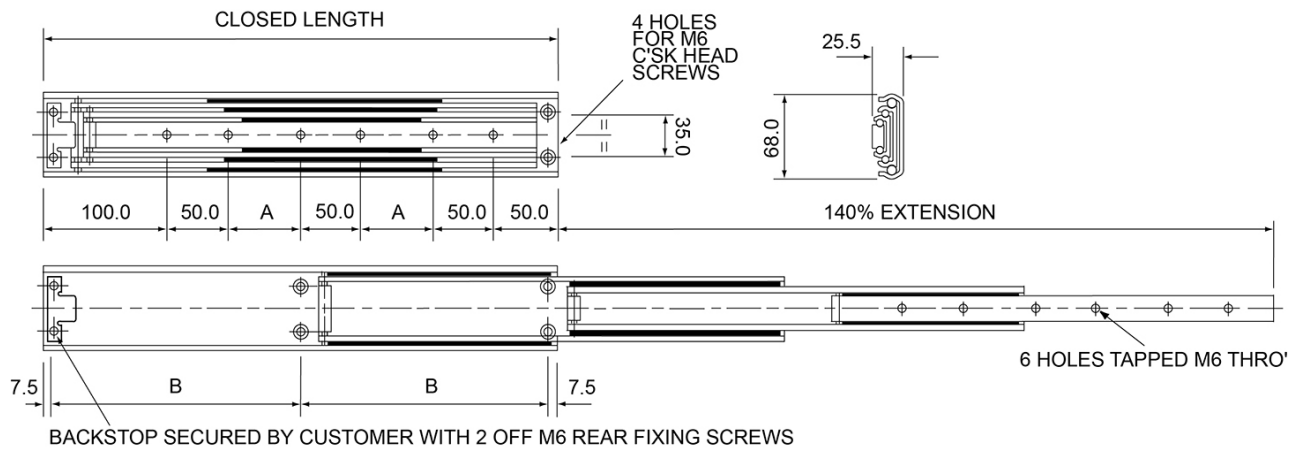
5040 - 140% Extension

All dimensions in mm.

System Load Capacity value refers to a pair of rails.

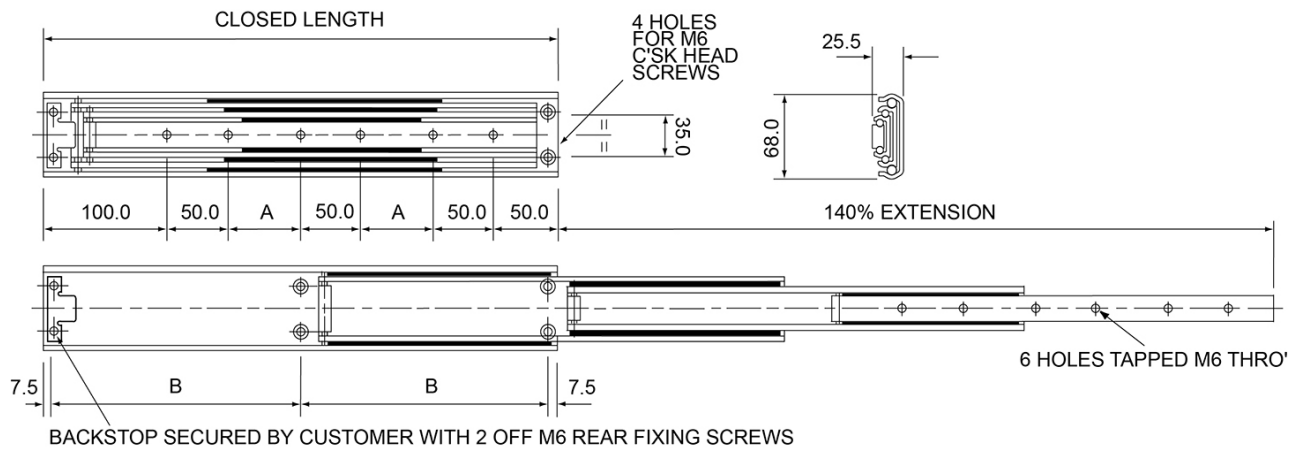


Variant Data



Designation	Closed Length	Extension Length	System Load Capacity (N)	Number of Fixing Holes
5040-300 140%	300	420	1700	4
5040-350 140%	350	490	1700	6
5040-400 140%	400	560	1680	6
5040-450 140%	450	630	1630	6
5040-500 140%	500	700	1600	6
5040-550 140%	550	770	1580	6
5040-600 140%	600	840	1560	6
5040-650 140%	650	910	1400	6
5040-700 140%	700	980	1300	6
5040-750 140%	750	1050	1200	6
5040-800 140%	800	1120	1180	6
5040-850 140%	850	1190	1100	6
5040-900 140%	900	1260	1000	6
5040-950 140%	950	1330	900	6
5040-1000 140%	1000	1400	800	6

Dimensions



Designation	A	B
5040-300 140%	50	142.5
5040-350 140%	25	167.5
5040-400 140%	50	192.5
5040-450 140%	75	217.5
5040-500 140%	100	242.5
5040-550 140%	125	267.5
5040-600 140%	150	292.5
5040-650 140%	175	317.5
5040-700 140%	200	342.5
5040-750 140%	225	367.5
5040-800 140%	250	392.5
5040-850 140%	275	417.5
5040-900 140%	300	442.5
5040-950 140%	325	467.5
5040-1000 140%	350	492.5