

Table of contents

- **SN 22**
- **SN 28**
- **SN 35**
- **SN 43**
- **SN 63**
- **RA Grease**

SN 22

Variants below are standard configurations. Other configurations and customer-specific adaptations are available upon request. Please contact us for more information.

Fixing holes (V) for countersunk head screws according to DIN 7991.

Easyslide is available in three different versions:

Version 1 - SINGLE SLIDER

This linear bearing consists of a guide rail and a slider that runs within the ball cage in the guide rail. High load capacities, compact cross-sections and simple and easy mounting characterize the complete series.

Below we list only the standard lengths and strokes of Version 1. Special strokes and lengths on request.

Version 2 - MULTIPLE INDEPENDENT SLIDERS

Variant with several sliders, which each runs in its own ball cage, independent of each other in the guide rail. Can be configured and used in an almost infinite variety of ways. The most common is to make a symmetrical configuration. Contact Rollco for further advice.

Version 3 - MULTIPLE SYNCHRONIZED SLIDERS

Several sliders run in a common ball cage within the guide rails. The division of the inner slider in two parts have a positive influence on load capacity and running behavior under high M_z and M_y loads.

Contact Rollco for detailed advice and calculations.

Dimensions in mm.

Weight: Rail 0.7 kg/m, slider 1 kg/m



Version 1 - SINGLE SLIDER

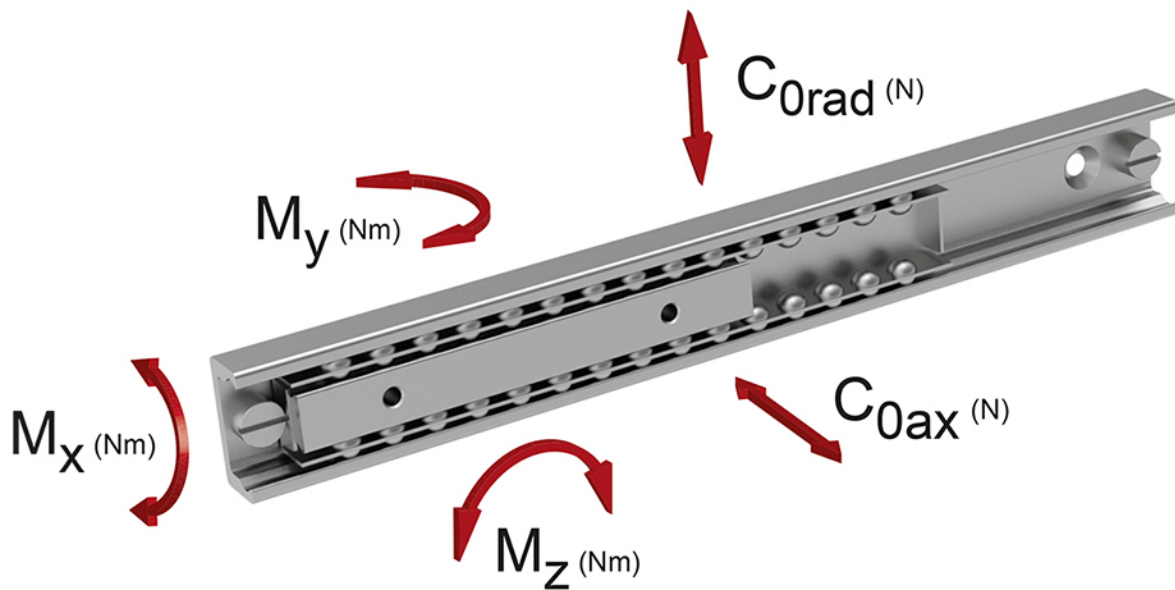


Version 2 - MULTIPLE INDEPENDENT SLIDERS



Version 3 - MULTIPLE SYNCHRONIZED SLIDERS

General Data



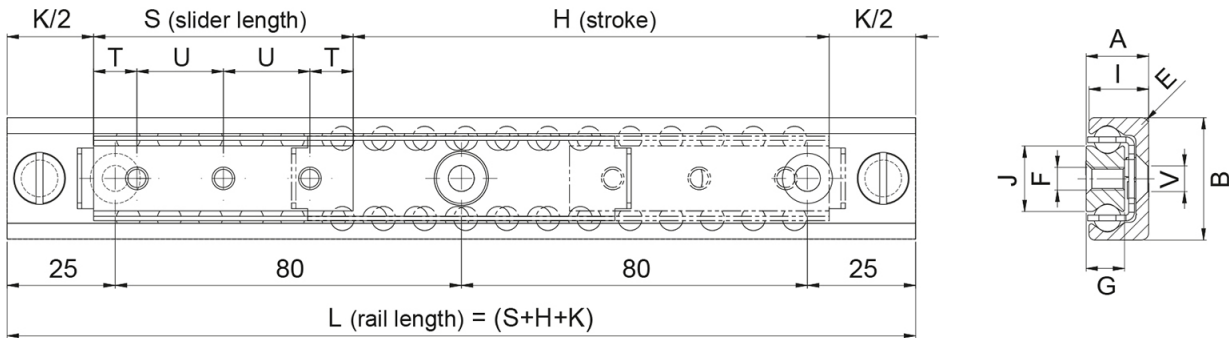
Designation	System Load Capacity Radial (N)	System Load Capacity Axial (N)	Permissible Moment Mx (Nm)	Permissible Moment My (Nm)	Permissible Moment Mz (Nm)
SN22-40-60-130	1320	924	4.4	6	9
SN22-40-140-210	1320	924	4.4	6	9
SN22-40-220-290	1320	924	4.4	6	9
SN22-60-40-130	1980	1386	6.7	14	20
SN22-60-120-210	1980	1386	6.7	14	20
SN22-60-200-290	1980	1386	6.7	14	20
SN22-60-280-370	1980	1386	6.7	14	20
SN22-60-360-450	1980	1386	6.7	14	20
SN22-80-100-210	2640	1848	8.9	25	35
SN22-80-180-290	2640	1848	8.9	25	35
SN22-80-260-370	2640	1848	8.9	25	35
SN22-80-340-450	2640	1848	8.9	25	35
SN22-80-420-530	2640	1848	8.9	25	35
SN22-80-500-610	2640	1848	8.9	25	35
SN22-130-130-290	4290	3003	14.4	65	93
SN22-130-210-370	4290	3003	14.4	65	93
SN22-130-290-450	4290	3003	14.4	65	93
SN22-130-370-530	4290	3003	14.4	65	93
SN22-130-450-610	4290	3003	14.4	65	93
SN22-130-530-690	4290	3003	14.4	65	93
SN22-130-610-770	4290	3003	14.4	65	93
SN22-130-690-850	4290	3003	14.4	65	93
SN22-130-770-930	4290	3003	14.4	65	93
SN22-130-850-1010	4290	3003	14.4	65	93
SN22-210-210-450	6930	4851	23.3	170	243

General Data

Designation	System Load Capacity Radial (N)	System Load Capacity Axial (N)	Permissible Moment Mx (Nm)	Permissible Moment My (Nm)	Permissible Moment Mz (Nm)
SN22-210-290-530	6930	4851	23.3	170	243
SN22-210-370-610	6930	4851	23.3	170	243
SN22-210-450-690	6930	4851	23.3	170	243
SN22-210-530-770	6930	4851	23.3	170	243
SN22-210-610-850	6930	4851	23.3	170	243
SN22-210-690-930	6930	4851	23.3	170	243
SN22-210-770-1010	6930	4851	23.3	170	243
SN22-210-930-1170	6930	4851	23.3	170	243
SN22-290-290-610	9570	6699	32.2	324	463
SN22-290-370-690	9570	6699	32.2	324	463
SN22-290-450-770	9570	6699	32.2	324	463
SN22-290-530-850	9570	6699	32.2	324	463
SN22-290-610-930	9570	6699	32.2	324	463
SN22-290-690-1010	9570	6699	32.2	324	463
SN22-290-850-1170	9570	6699	32.2	324	463
SN22-V2	Depends on config.	N/A	N/A	N/A	N/A
SN22-V3	Depends on config.	N/A	N/A	N/A	N/A

Dimensions

Version 1, with single slider



To ensure that all fixing holes of the rail are accessible, S must be $< L/2 - K$.
To ensure proper smooth movement it is necessary that $H \leq 7S$.

Designation	L	H	A	B	S	Number of Fixing Holes	V	E	F
SN22-40-60-130	130	60	11	22	40	2	M4	3	M4
SN22-40-140-210	210	140	11	22	40	2	M4	3	M4
SN22-40-220-290	290	220	11	22	40	2	M4	3	M4
SN22-60-40-130	130	40	11	22	60	3	M4	3	M4
SN22-60-120-210	210	120	11	22	60	3	M4	3	M4
SN22-60-200-290	290	200	11	22	60	3	M4	3	M4
SN22-60-280-370	370	280	11	22	60	3	M4	3	M4
SN22-60-360-450	450	360	11	22	60	3	M4	3	M4
SN22-80-100-210	210	100	11	22	80	4	M4	3	M4
SN22-80-180-290	290	180	11	22	80	4	M4	3	M4
SN22-80-260-370	370	260	11	22	80	4	M4	3	M4
SN22-80-340-450	450	340	11	22	80	4	M4	3	M4
SN22-80-420-530	530	420	11	22	80	4	M4	3	M4
SN22-80-500-610	610	500	11	22	80	4	M4	3	M4
SN22-130-130-290	290	130	11	22	130	2	M4	3	M4
SN22-130-210-370	370	210	11	22	130	2	M4	3	M4
SN22-130-290-450	450	290	11	22	130	2	M4	3	M4
SN22-130-370-530	530	370	11	22	130	2	M4	3	M4
SN22-130-450-610	610	450	11	22	130	2	M4	3	M4
SN22-130-530-690	690	530	11	22	130	2	M4	3	M4
SN22-130-610-770	770	610	11	22	130	2	M4	3	M4
SN22-130-690-850	850	690	11	22	130	2	M4	3	M4
SN22-130-770-930	930	770	11	22	130	2	M4	3	M4
SN22-130-850-1010	1010	850	11	22	130	2	M4	3	M4
SN22-210-210-450	450	210	11	22	210	3	M4	3	M4
SN22-210-290-530	530	290	11	22	210	3	M4	3	M4
SN22-210-370-610	610	370	11	22	210	3	M4	3	M4
SN22-210-450-690	690	450	11	22	210	3	M4	3	M4

Dimensions

Designation	L	H	A	B	S	Number of Fixing Holes	V	E	F
SN22-210-530-770	770	530	11	22	210	3	M4	3	M4
SN22-210-610-850	850	610	11	22	210	3	M4	3	M4
SN22-210-690-930	930	690	11	22	210	3	M4	3	M4
SN22-210-770-1010	1010	770	11	22	210	3	M4	3	M4
SN22-210-930-1170	1170	930	11	22	210	3	M4	3	M4
SN22-290-290-610	610	290	11	22	290	4	M4	3	M4
SN22-290-370-690	690	370	11	22	290	4	M4	3	M4
SN22-290-450-770	770	450	11	22	290	4	M4	3	M4
SN22-290-530-850	850	530	11	22	290	4	M4	3	M4
SN22-290-610-930	930	610	11	22	290	4	M4	3	M4
SN22-290-690-1010	1010	690	11	22	290	4	M4	3	M4
SN22-290-850-1170	1170	850	11	22	290	4	M4	3	M4
SN22-V2	Depends on config.	N/A	11	22	N/A	N/A	M4	3	M4
SN22-V3	Depends on config.	N/A	11	22	N/A	N/A	M4	3	M4

Designation	G	I	J	K	T	U
SN22-40-60-130	6.5	10.25	11.3	30	10	20
SN22-40-140-210	6.5	10.25	11.3	30	10	20
SN22-40-220-290	6.5	10.25	11.3	30	10	20
SN22-60-40-130	6.5	10.25	11.3	30	10	20
SN22-60-120-210	6.5	10.25	11.3	30	10	20
SN22-60-200-290	6.5	10.25	11.3	30	10	20
SN22-60-280-370	6.5	10.25	11.3	30	10	20
SN22-60-360-450	6.5	10.25	11.3	30	10	20
SN22-80-100-210	6.5	10.25	11.3	30	10	20
SN22-80-180-290	6.5	10.25	11.3	30	10	20
SN22-80-260-370	6.5	10.25	11.3	30	10	20
SN22-80-340-450	6.5	10.25	11.3	30	10	20
SN22-80-420-530	6.5	10.25	11.3	30	10	20
SN22-80-500-610	6.5	10.25	11.3	30	10	20
SN22-130-130-290	6.5	10.25	11.3	30	25	80
SN22-130-210-370	6.5	10.25	11.3	30	25	80
SN22-130-290-450	6.5	10.25	11.3	30	25	80
SN22-130-370-530	6.5	10.25	11.3	30	25	80
SN22-130-450-610	6.5	10.25	11.3	30	25	80
SN22-130-530-690	6.5	10.25	11.3	30	25	80
SN22-130-610-770	6.5	10.25	11.3	30	25	80
SN22-130-690-850	6.5	10.25	11.3	30	25	80
SN22-130-770-930	6.5	10.25	11.3	30	25	80
SN22-130-850-1010	6.5	10.25	11.3	30	25	80

Dimensions

Designation	G	I	J	K	T	U
SN22-210-210-450	6.5	10.25	11.3	30	25	80
SN22-210-290-530	6.5	10.25	11.3	30	25	80
SN22-210-370-610	6.5	10.25	11.3	30	25	80
SN22-210-450-690	6.5	10.25	11.3	30	25	80
SN22-210-530-770	6.5	10.25	11.3	30	25	80
SN22-210-610-850	6.5	10.25	11.3	30	25	80
SN22-210-690-930	6.5	10.25	11.3	30	25	80
SN22-210-770-1010	6.5	10.25	11.3	30	25	80
SN22-210-930-1170	6.5	10.25	11.3	30	25	80
SN22-290-290-610	6.5	10.25	11.3	30	25	80
SN22-290-370-690	6.5	10.25	11.3	30	25	80
SN22-290-450-770	6.5	10.25	11.3	30	25	80
SN22-290-530-850	6.5	10.25	11.3	30	25	80
SN22-290-610-930	6.5	10.25	11.3	30	25	80
SN22-290-690-1010	6.5	10.25	11.3	30	25	80
SN22-290-850-1170	6.5	10.25	11.3	30	25	80
SN22-V2	6.5	10.25	11.3	30	N/A	N/A
SN22-V3	6.5	10.25	11.3	30	N/A	N/A

SN 28

Variants below are standard configurations. Other configurations and customer-specific adaptations are available upon request. Please contact us for more information.

Fixing holes (V) for countersunk head screws according to DIN 7991.

Easyslide is available in three different versions:

Version 1 - SINGLE SLIDER

This linear bearing consists of a guide rail and a slider that runs within the ball cage in the guide rail. High load capacities, compact cross-sections and simple and easy mounting characterize the complete series.

Below we list only the standard lengths and strokes of Version 1. Special strokes and lengths on request.

Version 2 - MULTIPLE INDEPENDENT SLIDERS

Variant with several sliders, which each runs in its own ball cage, independent of each other in the guide rail. Can be configured and used in an almost infinite variety of ways. The most common is to make a symmetrical configuration. Contact Rollco for further advice.

Version 3 - MULTIPLE SYNCHRONIZED SLIDERS

Several sliders run in a common ball cage within the guide rails. The division of the inner slider in two parts have a positive influence on load capacity and running behavior under high M_z and M_y loads.

Contact Rollco for detailed advice and calculations.

Dimensions in mm.

Weight: Rail 1 kg/m, slider 1.5 kg/m



Version 1 - SINGLE SLIDER

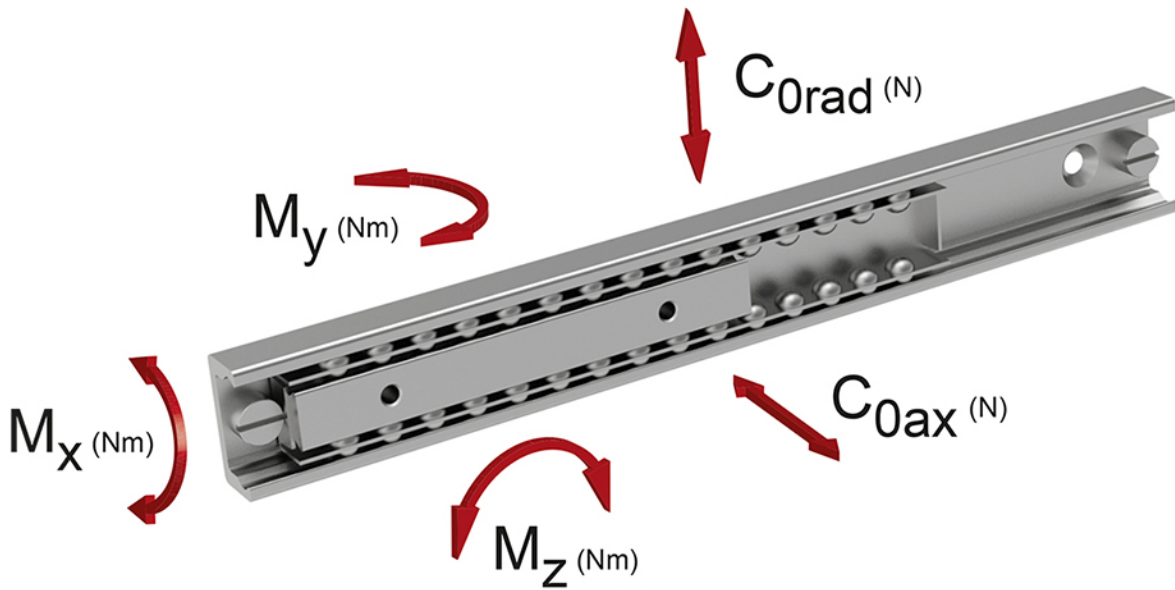


Version 2 - MULTIPLE INDEPENDENT SLIDERS



Version 3 - MULTIPLE SYNCHRONIZED SLIDERS

General Data



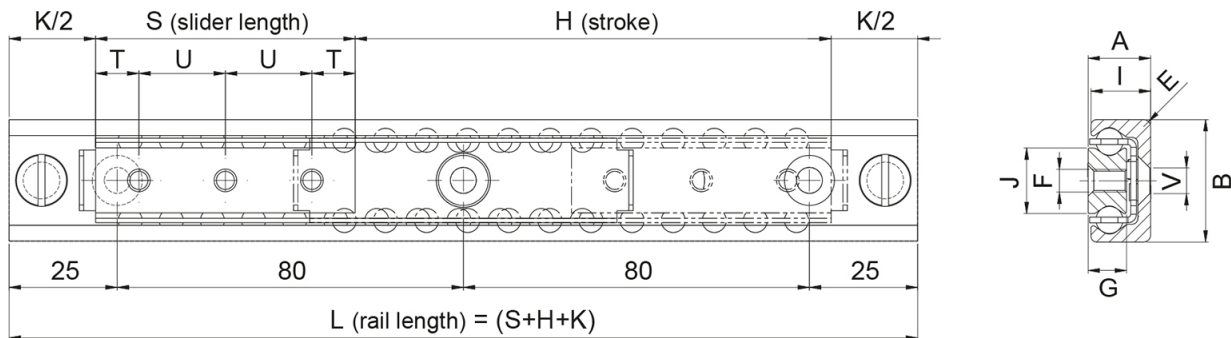
Designation	System Load Capacity Radial (N)	System Load Capacity Axial (N)	Permissible Moment Mx (Nm)	Permissible Moment My (Nm)	Permissible Moment Mz (Nm)
SN28-60-30-130	3480	2436	17.1	24	35
SN28-60-110-210	3480	2436	17.1	24	35
SN28-60-190-290	3480	2436	17.1	24	35
SN28-60-270-370	3480	2436	17.1	24	35
SN28-60-350-450	3480	2436	17.1	24	35
SN28-80-90-210	4640	3248	22.7	43	62
SN28-80-170-290	4640	3248	22.7	43	62
SN28-80-250-370	4640	3248	22.7	43	62
SN28-80-330-450	4640	3248	22.7	43	62
SN28-80-410-530	4640	3248	22.7	43	62
SN28-80-490-610	4640	3248	22.7	43	62
SN28-130-120-290	7540	5278	36.9	114	163
SN28-130-200-370	7540	5278	36.9	114	163
SN28-130-280-450	7540	5278	36.9	114	163
SN28-130-360-530	7540	5278	36.9	114	163
SN28-130-440-610	7540	5278	36.9	114	163
SN28-130-520-690	7540	5278	36.9	114	163
SN28-130-600-770	7540	5278	36.9	114	163
SN28-130-680-850	7540	5278	36.9	114	163
SN28-130-760-930	7540	5278	36.9	114	163
SN28-130-840-1010	7540	5278	36.9	114	163
SN28-210-200-450	12180	8526	59.7	298	426
SN28-210-280-530	12180	8526	59.7	298	426
SN28-210-360-610	12180	8526	59.7	298	426
SN28-210-440-690	12180	8526	59.7	298	426

General Data

Designation	System Load Capacity Radial (N)	System Load Capacity Axial (N)	Permissible Moment Mx (Nm)	Permissible Moment My (Nm)	Permissible Moment Mz (Nm)
SN28-210-520-770	12180	8526	59.7	298	426
SN28-210-600-850	12180	8526	59.7	298	426
SN28-210-680-930	12180	8526	59.7	298	426
SN28-210-760-1010	12180	8526	59.7	298	426
SN28-210-920-1170	12180	8526	59.7	298	426
SN28-210-1080-1330	12180	8526	59.7	298	426
SN28-290-280-610	16820	11774	82.4	569	813
SN28-290-360-690	16820	11774	82.4	569	813
SN28-290-440-770	16820	11774	82.4	569	813
SN28-290-520-850	16820	11774	82.4	569	813
SN28-290-600-930	16820	11774	82.4	569	813
SN28-290-680-1010	16820	11774	82.4	569	813
SN28-290-840-1170	16820	11774	82.4	569	813
SN28-290-1000-1330	16820	11774	82.4	569	813
SN28-290-1160-1490	16820	11774	82.4	569	813
SN28-370-360-770	21460	15022	105.1	926	1323
SN28-370-440-850	21460	15022	105.1	926	1323
SN28-370-520-930	21460	15022	105.1	926	1323
SN28-370-600-1010	21460	15022	105.1	926	1323
SN28-370-760-1170	21460	15022	105.1	926	1323
SN28-370-920-1330	21460	15022	105.1	926	1323
SN28-370-1080-1490	21460	15022	105.1	926	1323
SN28-450-440-930	26100	18270	127.9	1370	1958
SN28-450-520-1010	26100	18270	127.9	1370	1958
SN28-450-680-1170	26100	18270	127.9	1370	1958
SN28-450-840-1330	26100	18270	127.9	1370	1958
SN28-450-1000-1490	26100	18270	127.9	1370	1958
SN28-450-1160-1650	26100	18270	127.9	1370	1958
SN28-V2	Depends on config.	N/A	N/A	N/A	N/A
SN28-V3	Depends on config.	N/A	N/A	N/A	N/A

Dimensions

Version 1, with single slider



To ensure that all fixing holes of the rail are accessible, S must be $< L/2 - K$.
 To ensure proper smooth movement it is necessary that $H \leq 7S$.

Designation	L	H	A	B	S	Number of Fixing Holes	V	E	F
SN28-60-30-130	130	30	13	28	60	3	M5	1	M5
SN28-60-110-210	210	110	13	28	60	3	M5	1	M5
SN28-60-190-290	290	190	13	28	60	3	M5	1	M5
SN28-60-270-370	370	270	13	28	60	3	M5	1	M5
SN28-60-350-450	450	350	13	28	60	3	M5	1	M5
SN28-80-90-210	210	90	13	28	80	4	M5	1	M5
SN28-80-170-290	290	170	13	28	80	4	M5	1	M5
SN28-80-250-370	370	250	13	28	80	4	M5	1	M5
SN28-80-330-450	450	330	13	28	80	4	M5	1	M5
SN28-80-410-530	530	410	13	28	80	4	M5	1	M5
SN28-80-490-610	610	490	13	28	80	4	M5	1	M5
SN28-130-120-290	290	120	13	28	130	2	M5	1	M5
SN28-130-200-370	370	200	13	28	130	2	M5	1	M5
SN28-130-280-450	450	280	13	28	130	2	M5	1	M5
SN28-130-360-530	530	360	13	28	130	2	M5	1	M5
SN28-130-440-610	610	440	13	28	130	2	M5	1	M5
SN28-130-520-690	690	520	13	28	130	2	M5	1	M5
SN28-130-600-770	770	600	13	28	130	2	M5	1	M5
SN28-130-680-850	850	680	13	28	130	2	M5	1	M5
SN28-130-760-930	930	760	13	28	130	2	M5	1	M5
SN28-130-840-1010	1010	840	13	28	130	2	M5	1	M5
SN28-210-200-450	450	200	13	28	210	3	M5	1	M5
SN28-210-280-530	530	280	13	28	210	3	M5	1	M5
SN28-210-360-610	610	360	13	28	210	3	M5	1	M5
SN28-210-440-690	690	440	13	28	210	3	M5	1	M5
SN28-210-520-770	770	520	13	28	210	3	M5	1	M5
SN28-210-600-850	850	600	13	28	210	3	M5	1	M5
SN28-210-680-930	930	680	13	28	210	3	M5	1	M5

Dimensions

Designation	L	H	A	B	S	Number of Fixing Holes	V	E	F
SN28-210-760-1010	1010	760	13	28	210	3	M5	1	M5
SN28-210-920-1170	1170	920	13	28	210	3	M5	1	M5
SN28-210-1080-1330	1330	1080	13	28	210	3	M5	1	M5
SN28-290-280-610	610	280	13	28	290	4	M5	1	M5
SN28-290-360-690	690	360	13	28	290	4	M5	1	M5
SN28-290-440-770	770	440	13	28	290	4	M5	1	M5
SN28-290-520-850	850	520	13	28	290	4	M5	1	M5
SN28-290-600-930	930	600	13	28	290	4	M5	1	M5
SN28-290-680-1010	1010	680	13	28	290	4	M5	1	M5
SN28-290-840-1170	1170	840	13	28	290	4	M5	1	M5
SN28-290-1000-1330	1330	1000	13	28	290	4	M5	1	M5
SN28-290-1160-1490	1490	1160	13	28	290	4	M5	1	M5
SN28-370-360-770	770	360	13	28	370	5	M5	1	M5
SN28-370-440-850	850	440	13	28	370	5	M5	1	M5
SN28-370-520-930	930	520	13	28	370	5	M5	1	M5
SN28-370-600-1010	1010	600	13	28	370	5	M5	1	M5
SN28-370-760-1170	1170	760	13	28	370	5	M5	1	M5
SN28-370-920-1330	1330	920	13	28	370	5	M5	1	M5
SN28-370-1080-1490	1490	1080	13	28	370	5	M5	1	M5
SN28-450-440-930	930	440	13	28	450	6	M5	1	M5
SN28-450-520-1010	1010	520	13	28	450	6	M5	1	M5
SN28-450-680-1170	1170	680	13	28	450	6	M5	1	M5
SN28-450-840-1330	1330	840	13	28	450	6	M5	1	M5
SN28-450-1000-1490	1490	1000	13	28	450	6	M5	1	M5
SN28-450-1160-1650	1650	1160	13	28	450	6	M5	1	M5
SN28-V2	Depends on config.	N/A	13	28	N/A	N/A	M5	1	M5
SN28-V3	Depends on config.	N/A	13	28	N/A	N/A	M5	1	M5

Designation	G	I	J	K	T	U
SN28-60-30-130	7.5	12.25	15	40	10	20
SN28-60-110-210	7.5	12.25	15	40	10	20
SN28-60-190-290	7.5	12.25	15	40	10	20
SN28-60-270-370	7.5	12.25	15	40	10	20
SN28-60-350-450	7.5	12.25	15	40	10	20
SN28-80-90-210	7.5	12.25	15	40	10	20
SN28-80-170-290	7.5	12.25	15	40	10	20
SN28-80-250-370	7.5	12.25	15	40	10	20
SN28-80-330-450	7.5	12.25	15	40	10	20
SN28-80-410-530	7.5	12.25	15	40	10	20
SN28-80-490-610	7.5	12.25	15	40	10	20

Dimensions

Designation	G	I	J	K	T	U
SN28-130-120-290	7.5	12.25	15	40	25	80
SN28-130-200-370	7.5	12.25	15	40	25	80
SN28-130-280-450	7.5	12.25	15	40	25	80
SN28-130-360-530	7.5	12.25	15	40	25	80
SN28-130-440-610	7.5	12.25	15	40	25	80
SN28-130-520-690	7.5	12.25	15	40	25	80
SN28-130-600-770	7.5	12.25	15	40	25	80
SN28-130-680-850	7.5	12.25	15	40	25	80
SN28-130-760-930	7.5	12.25	15	40	25	80
SN28-130-840-1010	7.5	12.25	15	40	25	80
SN28-210-200-450	7.5	12.25	15	40	25	80
SN28-210-280-530	7.5	12.25	15	40	25	80
SN28-210-360-610	7.5	12.25	15	40	25	80
SN28-210-440-690	7.5	12.25	15	40	25	80
SN28-210-520-770	7.5	12.25	15	40	25	80
SN28-210-600-850	7.5	12.25	15	40	25	80
SN28-210-680-930	7.5	12.25	15	40	25	80
SN28-210-760-1010	7.5	12.25	15	40	25	80
SN28-210-920-1170	7.5	12.25	15	40	25	80
SN28-210-1080-1330	7.5	12.25	15	40	25	80
SN28-290-280-610	7.5	12.25	15	40	25	80
SN28-290-360-690	7.5	12.25	15	40	25	80
SN28-290-440-770	7.5	12.25	15	40	25	80
SN28-290-520-850	7.5	12.25	15	40	25	80
SN28-290-600-930	7.5	12.25	15	40	25	80
SN28-290-680-1010	7.5	12.25	15	40	25	80
SN28-290-840-1170	7.5	12.25	15	40	25	80
SN28-290-1000-1330	7.5	12.25	15	40	25	80
SN28-290-1160-1490	7.5	12.25	15	40	25	80
SN28-370-360-770	7.5	12.25	15	40	25	80
SN28-370-440-850	7.5	12.25	15	40	25	80
SN28-370-520-930	7.5	12.25	15	40	25	80
SN28-370-600-1010	7.5	12.25	15	40	25	80
SN28-370-760-1170	7.5	12.25	15	40	25	80
SN28-370-920-1330	7.5	12.25	15	40	25	80
SN28-370-1080-1490	7.5	12.25	15	40	25	80
SN28-450-440-930	7.5	12.25	15	40	25	80
SN28-450-520-1010	7.5	12.25	15	40	25	80
SN28-450-680-1170	7.5	12.25	15	40	25	80
SN28-450-840-1330	7.5	12.25	15	40	25	80
SN28-450-1000-1490	7.5	12.25	15	40	25	80
SN28-450-1160-1650	7.5	12.25	15	40	25	80

Dimensions

Designation	G	I	J	K	T	U
SN28-V2	7.5	12.25	15	40	N/A	N/A
SN28-V3	7.5	12.25	15	40	N/A	N/A

SN 35

Variants below are standard configurations. Other configurations and customer-specific adaptations are available upon request. Please contact us for more information.

Fixing holes (V) for countersunk head screws according to DIN 7991.

Easyslide is available in three different versions:

Version 1 - SINGLE SLIDER

This linear bearing consists of a guide rail and a slider that runs within the ball cage in the guide rail. High load capacities, compact cross-sections and simple and easy mounting characterize the complete series.

Below we list only the standard lengths and strokes of Version 1. Special strokes and lengths on request.

Version 2 - MULTIPLE INDEPENDENT SLIDERS

Variant with several sliders, which each runs in its own ball cage, independent of each other in the guide rail. Can be configured and used in an almost infinite variety of ways. The most common is to make a symmetrical configuration. Contact Rollco for further advice.

Version 3 - MULTIPLE SYNCHRONIZED SLIDERS

Several sliders run in a common ball cage within the guide rails. The division of the inner slider in two parts have a positive influence on load capacity and running behavior under high M_z and M_y loads.

Contact Rollco for detailed advice and calculations.

Dimensions in mm.

Weight: Rail 1.8 kg/m, slider 2.5 kg/m



Version 1 - SINGLE SLIDER

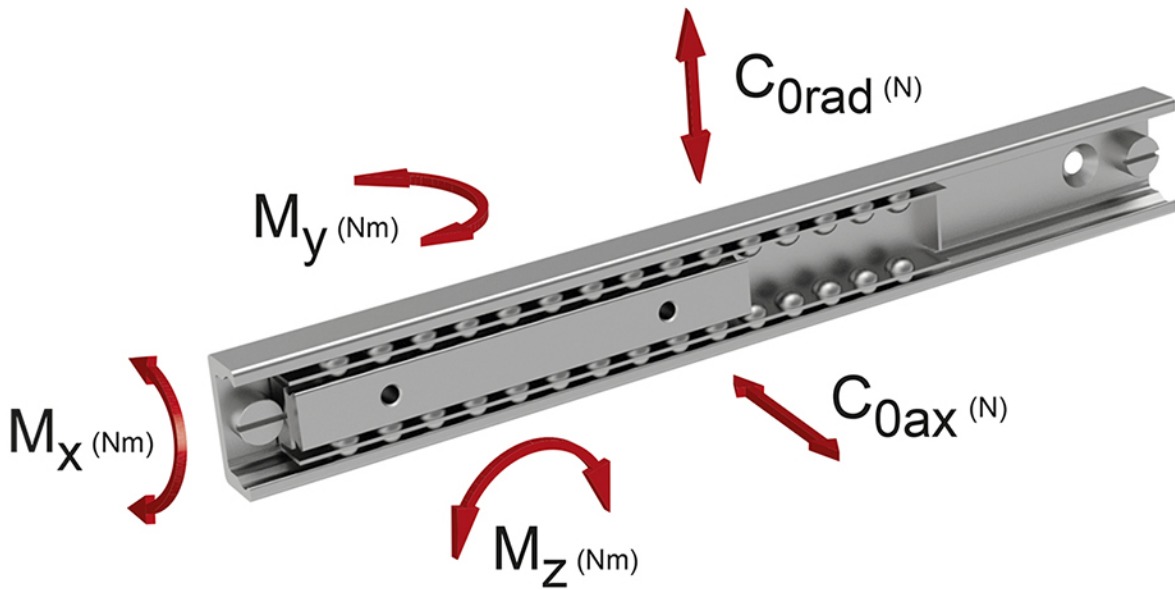


Version 2 - MULTIPLE INDEPENDENT SLIDERS



Version 3 - MULTIPLE SYNCHRONIZED SLIDERS

General Data



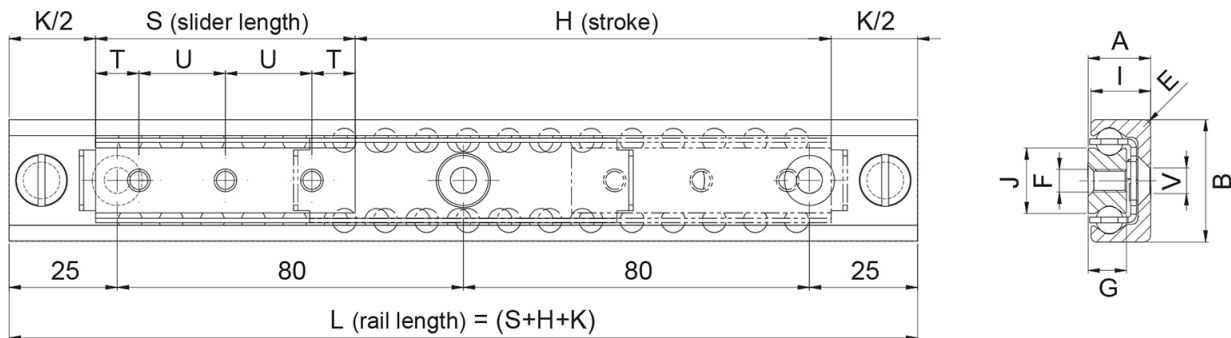
Designation	System Load Capacity Radial (N)	System Load Capacity Axial (N)	Permissible Moment Mx (Nm)	Permissible Moment My (Nm)	Permissible Moment Mz (Nm)
SN35-130-110-290	9750	6825	47.2	148	211
SN35-130-190-370	9750	6825	47.2	148	211
SN35-130-270-450	9750	6825	47.2	148	211
SN35-130-350-530	9750	6825	47.2	148	211
SN35-130-430-610	9750	6825	47.2	148	211
SN35-130-510-690	9750	6825	47.2	148	211
SN35-130-590-770	9750	6825	47.2	148	211
SN35-130-670-850	9750	6825	47.2	148	211
SN35-130-750-930	9750	6825	47.2	148	211
SN35-130-830-1010	9750	6825	47.2	148	211
SN35-210-190-450	15750	11025	76.3	386	551
SN35-210-270-530	15750	11025	76.3	386	551
SN35-210-350-610	15750	11025	76.3	386	551
SN35-210-430-690	15750	11025	76.3	386	551
SN35-210-510-770	15750	11025	76.3	386	551
SN35-210-590-850	15750	11025	76.3	386	551
SN35-210-670-930	15750	11025	76.3	386	551
SN35-210-750-1010	15750	11025	76.3	386	551
SN35-210-910-1170	15750	11025	76.3	386	551
SN35-210-1070-1330	15750	11025	76.3	386	551
SN35-210-1230-1490	15750	11025	76.3	386	551
SN35-290-270-610	21750	15225	105.3	736	1051
SN35-290-350-690	21750	15225	105.3	736	1051
SN35-290-430-770	21750	15225	105.3	736	1051
SN35-290-510-850	21750	15225	105.3	736	1051

General Data

Designation	System Load Capacity Radial (N)	System Load Capacity Axial (N)	Permissible Moment Mx (Nm)	Permissible Moment My (Nm)	Permissible Moment Mz (Nm)
SN35-290-590-930	21750	15225	105.3	736	1051
SN35-290-670-1010	21750	15225	105.3	736	1051
SN35-290-830-1170	21750	15225	105.3	736	1051
SN35-290-990-1330	21750	15225	105.3	736	1051
SN35-290-1150-1490	21750	15225	105.3	736	1051
SN35-290-1310-1650	21750	15225	105.3	736	1051
SN35-370-350-770	27750	19425	134.4	1198	1711
SN35-370-430-850	27750	19425	134.4	1198	1711
SN35-370-510-930	27750	19425	134.4	1198	1711
SN35-370-590-1010	27750	19425	134.4	1198	1711
SN35-370-750-1170	27750	19425	134.4	1198	1711
SN35-370-910-1330	27750	19425	134.4	1198	1711
SN35-370-1070-1490	27750	19425	134.4	1198	1711
SN35-370-1230-1650	27750	19425	134.4	1198	1711
SN35-450-430-930	33750	23625	163.4	1772	2531
SN35-450-510-1010	33750	23625	163.4	1772	2531
SN35-450-670-1170	33750	23625	163.4	1772	2531
SN35-450-830-1330	33750	23625	163.4	1772	2531
SN35-450-990-1490	33750	23625	163.4	1772	2531
SN35-450-1150-1650	33750	23625	163.4	1772	2531
SN35-450-1310-1810	33750	23625	163.4	1772	2531
SN35-530-590-1170	39750	27825	192.5	2458	3511
SN35-530-750-1330	39750	27825	192.5	2458	3511
SN35-530-910-1490	39750	27825	192.5	2458	3511
SN35-530-1070-1650	39750	27825	192.5	2458	3511
SN35-530-1230-1810	39750	27825	192.5	2458	3511
SN35-610-670-1330	45750	32025	221.6	3256	4651
SN35-610-830-1490	45750	32025	221.6	3256	4651
SN35-610-990-1650	45750	32025	221.6	3256	4651
SN35-610-1150-1810	45750	32025	221.6	3256	4651
SN35-V2	Depends on config.	N/A	N/A	N/A	N/A
SN35-V3	Depends on config.	N/A	N/A	N/A	N/A

Dimensions

Version 1, with single slider



To ensure that all fixing holes of the rail are accessible, S must be $< L/2 - K$.
To ensure proper smooth movement it is necessary that $H \leq 7S$.

Designation	L	H	A	B	S	Number of Fixing Holes	V	E	F
SN35-130-110-290	290	110	17	35	130	2	M6	2	M6
SN35-130-190-370	370	190	17	35	130	2	M6	2	M6
SN35-130-270-450	450	270	17	35	130	2	M6	2	M6
SN35-130-350-530	530	350	17	35	130	2	M6	2	M6
SN35-130-430-610	610	430	17	35	130	2	M6	2	M6
SN35-130-510-690	690	510	17	35	130	2	M6	2	M6
SN35-130-590-770	770	590	17	35	130	2	M6	2	M6
SN35-130-670-850	850	670	17	35	130	2	M6	2	M6
SN35-130-750-930	930	750	17	35	130	2	M6	2	M6
SN35-130-830-1010	1010	830	17	35	130	2	M6	2	M6
SN35-210-190-450	450	190	17	35	210	3	M6	2	M6
SN35-210-270-530	530	270	17	35	210	3	M6	2	M6
SN35-210-350-610	610	350	17	35	210	3	M6	2	M6
SN35-210-430-690	690	430	17	35	210	3	M6	2	M6
SN35-210-510-770	770	510	17	35	210	3	M6	2	M6
SN35-210-590-850	850	590	17	35	210	3	M6	2	M6
SN35-210-670-930	930	670	17	35	210	3	M6	2	M6
SN35-210-750-1010	1010	750	17	35	210	3	M6	2	M6
SN35-210-910-1170	1170	910	17	35	210	3	M6	2	M6
SN35-210-1070-1330	1330	1070	17	35	210	3	M6	2	M6
SN35-210-1230-1490	1490	1230	17	35	210	3	M6	2	M6
SN35-290-270-610	610	270	17	35	290	4	M6	2	M6
SN35-290-350-690	690	350	17	35	290	4	M6	2	M6
SN35-290-430-770	770	430	17	35	290	4	M6	2	M6
SN35-290-510-850	850	510	17	35	290	4	M6	2	M6
SN35-290-590-930	930	590	17	35	290	4	M6	2	M6
SN35-290-670-1010	1010	670	17	35	290	4	M6	2	M6
SN35-290-830-1170	1170	830	17	35	290	4	M6	2	M6

Dimensions

Designation	L	H	A	B	S	Number of Fixing Holes	V	E	F
SN35-290-990-1330	1330	990	17	35	290	4	M6	2	M6
SN35-290-1150-1490	1490	1150	17	35	290	4	M6	2	M6
SN35-290-1310-1650	1650	1310	17	35	290	4	M6	2	M6
SN35-370-350-770	770	350	17	35	370	5	M6	2	M6
SN35-370-430-850	850	430	17	35	370	5	M6	2	M6
SN35-370-510-930	930	510	17	35	370	5	M6	2	M6
SN35-370-590-1010	1010	590	17	35	370	5	M6	2	M6
SN35-370-750-1170	1170	750	17	35	370	5	M6	2	M6
SN35-370-910-1330	1330	910	17	35	370	5	M6	2	M6
SN35-370-1070-1490	1490	1070	17	35	370	5	M6	2	M6
SN35-370-1230-1650	1650	1230	17	35	370	5	M6	2	M6
SN35-450-430-930	930	430	17	35	450	6	M6	2	M6
SN35-450-510-1010	1010	510	17	35	450	6	M6	2	M6
SN35-450-670-1170	1170	670	17	35	450	6	M6	2	M6
SN35-450-830-1330	1330	830	17	35	450	6	M6	2	M6
SN35-450-990-1490	1490	990	17	35	450	6	M6	2	M6
SN35-450-1150-1650	1650	1150	17	35	450	6	M6	2	M6
SN35-450-1310-1810	1810	1310	17	35	450	6	M6	2	M6
SN35-530-590-1170	1170	590	17	35	530	7	M6	2	M6
SN35-530-750-1330	1330	750	17	35	530	7	M6	2	M6
SN35-530-910-1490	1490	910	17	35	530	7	M6	2	M6
SN35-530-1070-1650	1650	1070	17	35	530	7	M6	2	M6
SN35-530-1230-1810	1810	1230	17	35	530	7	M6	2	M6
SN35-610-670-1330	1330	670	17	35	610	8	M6	2	M6
SN35-610-830-1490	1490	830	17	35	610	8	M6	2	M6
SN35-610-990-1650	1650	990	17	35	610	8	M6	2	M6
SN35-610-1150-1810	1810	1150	17	35	610	8	M6	2	M6
SN35-V2	Depends on config.	N/A	17	35	N/A	N/A	M6	2	M6
SN35-V3	Depends on config.	N/A	17	35	N/A	N/A	M6	2	M6

Designation	G	I	J	K	T	U
SN35-130-110-290	10	16	15.8	50	25	80
SN35-130-190-370	10	16	15.8	50	25	80
SN35-130-270-450	10	16	15.8	50	25	80
SN35-130-350-530	10	16	15.8	50	25	80
SN35-130-430-610	10	16	15.8	50	25	80
SN35-130-510-690	10	16	15.8	50	25	80
SN35-130-590-770	10	16	15.8	50	25	80
SN35-130-670-850	10	16	15.8	50	25	80
SN35-130-750-930	10	16	15.8	50	25	80

Dimensions

Designation	G	I	J	K	T	U
SN35-130-830-1010	10	16	15.8	50	25	80
SN35-210-190-450	10	16	15.8	50	25	80
SN35-210-270-530	10	16	15.8	50	25	80
SN35-210-350-610	10	16	15.8	50	25	80
SN35-210-430-690	10	16	15.8	50	25	80
SN35-210-510-770	10	16	15.8	50	25	80
SN35-210-590-850	10	16	15.8	50	25	80
SN35-210-670-930	10	16	15.8	50	25	80
SN35-210-750-1010	10	16	15.8	50	25	80
SN35-210-910-1170	10	16	15.8	50	25	80
SN35-210-1070-1330	10	16	15.8	50	25	80
SN35-210-1230-1490	10	16	15.8	50	25	80
SN35-290-270-610	10	16	15.8	50	25	80
SN35-290-350-690	10	16	15.8	50	25	80
SN35-290-430-770	10	16	15.8	50	25	80
SN35-290-510-850	10	16	15.8	50	25	80
SN35-290-590-930	10	16	15.8	50	25	80
SN35-290-670-1010	10	16	15.8	50	25	80
SN35-290-830-1170	10	16	15.8	50	25	80
SN35-290-990-1330	10	16	15.8	50	25	80
SN35-290-1150-1490	10	16	15.8	50	25	80
SN35-290-1310-1650	10	16	15.8	50	25	80
SN35-370-350-770	10	16	15.8	50	25	80
SN35-370-430-850	10	16	15.8	50	25	80
SN35-370-510-930	10	16	15.8	50	25	80
SN35-370-590-1010	10	16	15.8	50	25	80
SN35-370-750-1170	10	16	15.8	50	25	80
SN35-370-910-1330	10	16	15.8	50	25	80
SN35-370-1070-1490	10	16	15.8	50	25	80
SN35-370-1230-1650	10	16	15.8	50	25	80
SN35-450-430-930	10	16	15.8	50	25	80
SN35-450-510-1010	10	16	15.8	50	25	80
SN35-450-670-1170	10	16	15.8	50	25	80
SN35-450-830-1330	10	16	15.8	50	25	80
SN35-450-990-1490	10	16	15.8	50	25	80
SN35-450-1150-1650	10	16	15.8	50	25	80
SN35-450-1310-1810	10	16	15.8	50	25	80
SN35-530-590-1170	10	16	15.8	50	25	80
SN35-530-750-1330	10	16	15.8	50	25	80
SN35-530-910-1490	10	16	15.8	50	25	80
SN35-530-1070-1650	10	16	15.8	50	25	80
SN35-530-1230-1810	10	16	15.8	50	25	80

Dimensions

Designation	G	I	J	K	T	U
SN35-610-670-1330	10	16	15.8	50	25	80
SN35-610-830-1490	10	16	15.8	50	25	80
SN35-610-990-1650	10	16	15.8	50	25	80
SN35-610-1150-1810	10	16	15.8	50	25	80
SN35-V2	10	16	15.8	50	25	80
SN35-V3	10	16	15.8	50	25	80

SN 43

Variants below are standard configurations. Other configurations and customer-specific adaptations are available upon request. Please contact us for more information.

Fixing holes (V) for countersunk head screws according to DIN 7991.

Easyslide is available in three different versions:

Version 1 - SINGLE SLIDER

This linear bearing consists of a guide rail and a slider that runs within the ball cage in the guide rail. High load capacities, compact cross-sections and simple and easy mounting characterize the complete series.

Below we list only the standard lengths and strokes of Version 1. Special strokes and lengths on request.

Version 2 - MULTIPLE INDEPENDENT SLIDERS

Variant with several sliders, which each runs in its own ball cage, independent of each other in the guide rail. Can be configured and used in an almost infinite variety of ways. The most common is to make a symmetrical configuration. Contact Rollco for further advice.

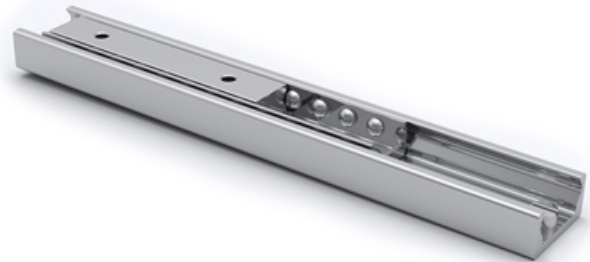
Version 3 - MULTIPLE SYNCHRONIZED SLIDERS

Several sliders run in a common ball cage within the guide rails. The division of the inner slider in two parts have a positive influence on load capacity and running behavior under high M_z and M_y loads.

Contact Rollco for detailed advice and calculations.

Dimensions in mm.

Weight: Rail 2.6 kg/m, slider 5 kg/m



Version 1 - SINGLE SLIDER

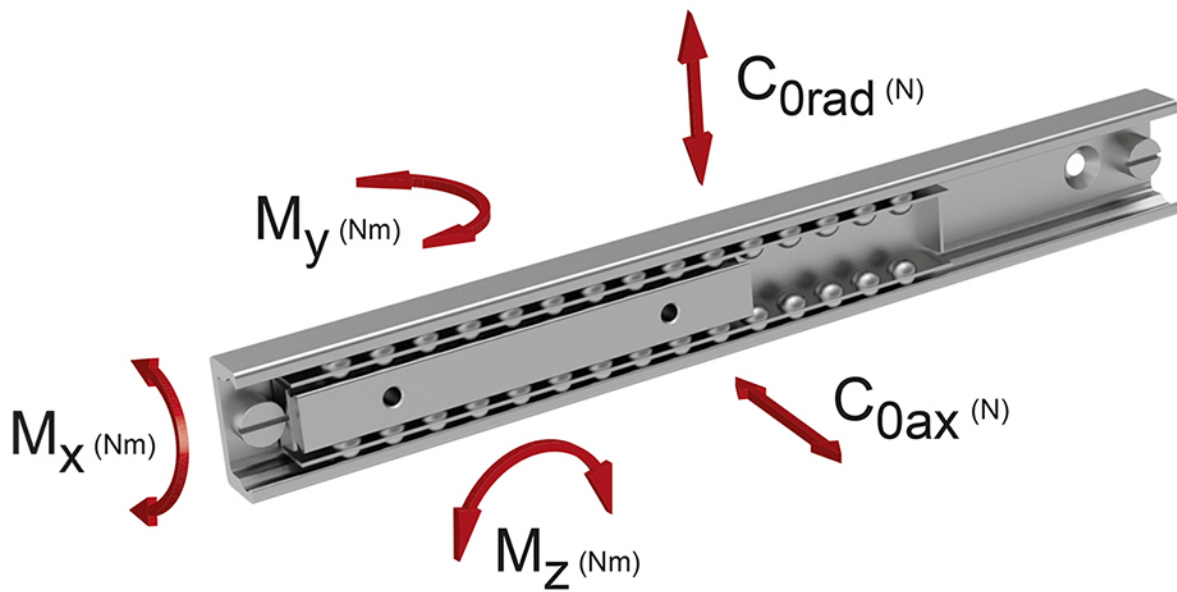


Version 2 - MULTIPLE INDEPENDENT SLIDERS



Version 3 - MULTIPLE SYNCHRONIZED SLIDERS

General Data



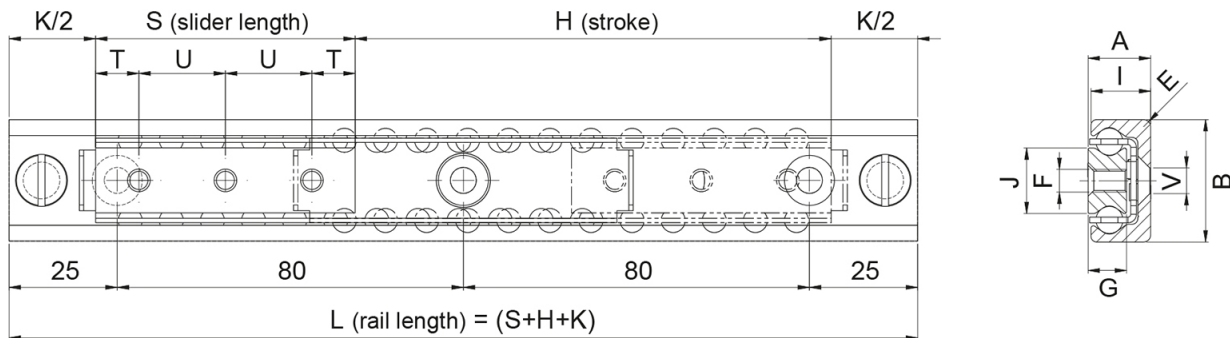
Designation	System Load Capacity Radial (N)	System Load Capacity Axial (N)	Permissible Moment Mx (Nm)	Permissible Moment My (Nm)	Permissible Moment Mz (Nm)
SN43-130-110-290	13910	9737	96	211	301
SN43-130-190-370	13910	9737	96	211	301
SN43-130-270-450	13910	9737	96	211	301
SN43-130-350-530	13910	9737	96	211	301
SN43-130-430-610	13910	9737	96	211	301
SN43-130-510-690	13910	9737	96	211	301
SN43-130-590-770	13910	9737	96	211	301
SN43-130-670-850	13910	9737	96	211	301
SN43-130-750-930	13910	9737	96	211	301
SN43-130-830-1010	13910	9737	96	211	301
SN43-210-190-450	22470	15729	155.1	551	786
SN43-210-270-530	22470	15729	155.1	551	786
SN43-210-350-610	22470	15729	155.1	551	786
SN43-210-430-690	22470	15729	155.1	551	786
SN43-210-510-770	22470	15729	155.1	551	786
SN43-210-590-850	22470	15729	155.1	551	786
SN43-210-670-930	22470	15729	155.1	551	786
SN43-210-750-1010	22470	15729	155.1	551	786
SN43-210-910-1170	22470	15729	155.1	551	786
SN43-210-1070-1330	22470	15729	155.1	551	786
SN43-210-1230-1490	22470	15729	155.1	551	786
SN43-210-1390-1650	22470	15729	155.1	551	786
SN43-290-270-610	31030	21721	214.1	1050	1500
SN43-290-350-690	31030	21721	214.1	1050	1500
SN43-290-430-770	31030	21721	214.1	1050	1500

General Data

Designation	System Load Capacity Radial (N)	System Load Capacity Axial (N)	Permissible Moment Mx (Nm)	Permissible Moment My (Nm)	Permissible Moment Mz (Nm)
SN43-290-510-850	31030	21721	214.1	1050	1500
SN43-290-590-930	31030	21721	214.1	1050	1500
SN43-290-670-1010	31030	21721	214.1	1050	1500
SN43-290-830-1170	31030	21721	214.1	1050	1500
SN43-290-990-1330	31030	21721	214.1	1050	1500
SN43-290-1150-1490	31030	21721	214.1	1050	1500
SN43-290-1310-1650	31030	21721	214.1	1050	1500
SN43-290-1470-1810	31030	21721	214.1	1050	1500
SN43-370-350-770	39590	27713	273.2	1709	2441
SN43-370-430-850	39590	27713	273.2	1709	2441
SN43-370-510-930	39590	27713	273.2	1709	2441
SN43-370-590-1010	39590	27713	273.2	1709	2441
SN43-370-750-1170	39590	27713	273.2	1709	2441
SN43-370-910-1330	39590	27713	273.2	1709	2441
SN43-370-1070-1490	39590	27713	273.2	1709	2441
SN43-370-1230-1650	39590	27713	273.2	1709	2441
SN43-370-1390-1810	39590	27713	273.2	1709	2441
SN43-450-430-930	48150	33750	332.3	2528	3611
SN43-450-510-1010	48150	33750	332.3	2528	3611
SN43-450-670-1170	48150	33750	332.3	2528	3611
SN43-450-830-1330	48150	33750	332.3	2528	3611
SN43-450-990-1490	48150	33750	332.3	2528	3611
SN43-450-1150-1650	48150	33750	332.3	2528	3611
SN43-450-1310-1810	48150	33750	332.3	2528	3611
SN43-450-1470-1970	48150	33750	332.3	2528	3611
SN43-530-590-1170	56710	39697	391.4	3507	5009
SN43-530-750-1330	56710	39697	391.4	3507	5009
SN43-530-910-1490	56710	39697	391.4	3507	5009
SN43-530-1070-1650	56710	39697	391.4	3507	5009
SN43-530-1230-1810	56710	39697	391.4	3507	5009
SN43-530-1390-1970	56710	39697	391.4	3507	5009
SN43-610-670-1330	65270	45689	450.4	4645	6636
SN43-610-830-1490	65270	45689	450.4	4645	6636
SN43-610-990-1650	65270	45689	450.4	4645	6636
SN43-610-1150-1810	65270	45689	450.4	4645	6636
SN43-610-1310-1970	65270	45689	450.4	4645	6636
SN43-V2	Depends on config.	N/A	N/A	N/A	N/A
SN43-V3	Depends on config.	N/A	N/A	N/A	N/A

Dimensions

Version 1, with single slider



To ensure that all fixing holes of the rail are accessible, S must be $< L/2 - K$.
 To ensure proper smooth movement it is necessary that $H \leq 7S$.

Designation	L	H	A	B	S	Number of Fixing Holes	V	E	F
SN43-130-110-290	290	110	22	43	130	2	M8	2.5	M8
SN43-130-190-370	370	190	22	43	130	2	M8	2.5	M8
SN43-130-270-450	450	270	22	43	130	2	M8	2.5	M8
SN43-130-350-530	530	350	22	43	130	2	M8	2.5	M8
SN43-130-430-610	610	430	22	43	130	2	M8	2.5	M8
SN43-130-510-690	690	510	22	43	130	2	M8	2.5	M8
SN43-130-590-770	770	590	22	43	130	2	M8	2.5	M8
SN43-130-670-850	850	670	22	43	130	2	M8	2.5	M8
SN43-130-750-930	930	750	22	43	130	2	M8	2.5	M8
SN43-130-830-1010	1010	830	22	43	130	2	M8	2.5	M8
SN43-210-190-450	450	190	22	43	210	3	M8	2.5	M8
SN43-210-270-530	530	270	22	43	210	3	M8	2.5	M8
SN43-210-350-610	610	350	22	43	210	3	M8	2.5	M8
SN43-210-430-690	690	430	22	43	210	3	M8	2.5	M8
SN43-210-510-770	770	510	22	43	210	3	M8	2.5	M8
SN43-210-590-850	850	590	22	43	210	3	M8	2.5	M8
SN43-210-670-930	930	670	22	43	210	3	M8	2.5	M8
SN43-210-750-1010	1010	750	22	43	210	3	M8	2.5	M8
SN43-210-910-1170	1170	910	22	43	210	3	M8	2.5	M8
SN43-210-1070-1330	1330	1070	22	43	210	3	M8	2.5	M8
SN43-210-1230-1490	1490	1230	22	43	210	3	M8	2.5	M8
SN43-210-1390-1650	1650	1390	22	43	210	3	M8	2.5	M8
SN43-290-270-610	610	270	22	43	290	4	M8	2.5	M8
SN43-290-350-690	690	350	22	43	290	4	M8	2.5	M8
SN43-290-430-770	770	430	22	43	290	4	M8	2.5	M8
SN43-290-510-850	850	510	22	43	290	4	M8	2.5	M8
SN43-290-590-930	930	590	22	43	290	4	M8	2.5	M8
SN43-290-670-1010	1010	670	22	43	290	4	M8	2.5	M8

Dimensions

Designation	L	H	A	B	S	Number of Fixing Holes	V	E	F
SN43-290-830-1170	1170	830	22	43	290	4	M8	2.5	M8
SN43-290-990-1330	1330	990	22	43	290	4	M8	2.5	M8
SN43-290-1150-1490	1490	1150	22	43	290	4	M8	2.5	M8
SN43-290-1310-1650	1650	1310	22	43	290	4	M8	2.5	M8
SN43-290-1470-1810	1810	1470	22	43	290	4	M8	2.5	M8
SN43-370-350-770	770	350	22	43	370	5	M8	2.5	M8
SN43-370-430-850	850	430	22	43	370	5	M8	2.5	M8
SN43-370-510-930	930	510	22	43	370	5	M8	2.5	M8
SN43-370-590-1010	1010	590	22	43	370	5	M8	2.5	M8
SN43-370-750-1170	1170	750	22	43	370	5	M8	2.5	M8
SN43-370-910-1330	1330	910	22	43	370	5	M8	2.5	M8
SN43-370-1070-1490	1490	1070	22	43	370	5	M8	2.5	M8
SN43-370-1230-1650	1650	1230	22	43	370	5	M8	2.5	M8
SN43-370-1390-1810	1810	1390	22	43	370	5	M8	2.5	M8
SN43-450-430-930	930	430	22	43	450	6	M8	2.5	M8
SN43-450-510-1010	1010	510	22	43	450	6	M8	2.5	M8
SN43-450-670-1170	1170	670	22	43	450	6	M8	2.5	M8
SN43-450-830-1330	1330	830	22	43	450	6	M8	2.5	M8
SN43-450-990-1490	1490	990	22	43	450	6	M8	2.5	M8
SN43-450-1150-1650	1650	1150	22	43	450	6	M8	2.5	M8
SN43-450-1310-1810	1810	1310	22	43	450	6	M8	2.5	M8
SN43-450-1470-1970	1970	1470	22	43	450	6	M8	2.5	M8
SN43-530-590-1170	1170	590	22	43	530	7	M8	2.5	M8
SN43-530-750-1330	1330	750	22	43	530	7	M8	2.5	M8
SN43-530-910-1490	1490	910	22	43	530	7	M8	2.5	M8
SN43-530-1070-1650	1650	1070	22	43	530	7	M8	2.5	M8
SN43-530-1230-1810	1810	1230	22	43	530	7	M8	2.5	M8
SN43-530-1390-1970	1970	1390	22	43	530	7	M8	2.5	M8
SN43-610-670-1330	1330	670	22	43	610	8	M8	2.5	M8
SN43-610-830-1490	1490	830	22	43	610	8	M8	2.5	M8
SN43-610-990-1650	1650	990	22	43	610	8	M8	2.5	M8
SN43-610-1150-1810	1810	1150	22	43	610	8	M8	2.5	M8
SN43-610-1310-1970	1970	1310	22	43	610	8	M8	2.5	M8
SN43-V2	Depends on config.	N/A	22	43	N/A	N/A	M8	2.5	M8
SN43-V3	Depends on config.	N/A	22	43	N/A	N/A	M8	2.5	M8

Designation	G	I	J	K	T	U
SN43-130-110-290	13.5	21	23	50	25	80
SN43-130-190-370	13.5	21	23	50	25	80
SN43-130-270-450	13.5	21	23	50	25	80

Dimensions

Designation	G	I	J	K	T	U
SN43-130-350-530	13.5	21	23	50	25	80
SN43-130-430-610	13.5	21	23	50	25	80
SN43-130-510-690	13.5	21	23	50	25	80
SN43-130-590-770	13.5	21	23	50	25	80
SN43-130-670-850	13.5	21	23	50	25	80
SN43-130-750-930	13.5	21	23	50	25	80
SN43-130-830-1010	13.5	21	23	50	25	80
SN43-210-190-450	13.5	21	23	50	25	80
SN43-210-270-530	13.5	21	23	50	25	80
SN43-210-350-610	13.5	21	23	50	25	80
SN43-210-430-690	13.5	21	23	50	25	80
SN43-210-510-770	13.5	21	23	50	25	80
SN43-210-590-850	13.5	21	23	50	25	80
SN43-210-670-930	13.5	21	23	50	25	80
SN43-210-750-1010	13.5	21	23	50	25	80
SN43-210-910-1170	13.5	21	23	50	25	80
SN43-210-1070-1330	13.5	21	23	50	25	80
SN43-210-1230-1490	13.5	21	23	50	25	80
SN43-210-1390-1650	13.5	21	23	50	25	80
SN43-290-270-610	13.5	21	23	50	25	80
SN43-290-350-690	13.5	21	23	50	25	80
SN43-290-430-770	13.5	21	23	50	25	80
SN43-290-510-850	13.5	21	23	50	25	80
SN43-290-590-930	13.5	21	23	50	25	80
SN43-290-670-1010	13.5	21	23	50	25	80
SN43-290-830-1170	13.5	21	23	50	25	80
SN43-290-990-1330	13.5	21	23	50	25	80
SN43-290-1150-1490	13.5	21	23	50	25	80
SN43-290-1310-1650	13.5	21	23	50	25	80
SN43-290-1470-1810	13.5	21	23	50	25	80
SN43-370-350-770	13.5	21	23	50	25	80
SN43-370-430-850	13.5	21	23	50	25	80
SN43-370-510-930	13.5	21	23	50	25	80
SN43-370-590-1010	13.5	21	23	50	25	80
SN43-370-750-1170	13.5	21	23	50	25	80
SN43-370-910-1330	13.5	21	23	50	25	80
SN43-370-1070-1490	13.5	21	23	50	25	80
SN43-370-1230-1650	13.5	21	23	50	25	80
SN43-370-1390-1810	13.5	21	23	50	25	80
SN43-450-430-930	13.5	21	23	50	25	80
SN43-450-510-1010	13.5	21	23	50	25	80
SN43-450-670-1170	13.5	21	23	50	25	80

Dimensions

Designation	G	I	J	K	T	U
SN43-450-830-1330	13.5	21	23	50	25	80
SN43-450-990-1490	13.5	21	23	50	25	80
SN43-450-1150-1650	13.5	21	23	50	25	80
SN43-450-1310-1810	13.5	21	23	50	25	80
SN43-450-1470-1970	13.5	21	23	50	25	80
SN43-530-590-1170	13.5	21	23	50	25	80
SN43-530-750-1330	13.5	21	23	50	25	80
SN43-530-910-1490	13.5	21	23	50	25	80
SN43-530-1070-1650	13.5	21	23	50	25	80
SN43-530-1230-1810	13.5	21	23	50	25	80
SN43-530-1390-1970	13.5	21	23	50	25	80
SN43-610-670-1330	13.5	21	23	50	25	80
SN43-610-830-1490	13.5	21	23	50	25	80
SN43-610-990-1650	13.5	21	23	50	25	80
SN43-610-1150-1810	13.5	21	23	50	25	80
SN43-610-1310-1970	13.5	21	23	50	25	80
SN43-V2	13.5	21	23	50	25	80
SN43-V3	13.5	21	23	50	25	80

SN 63

Variants below are standard configurations. Other configurations and customer-specific adaptations are available upon request. Please contact us for more information.

Fixing holes (C) for socket cap screws according to DIN 7984. Alternative fixing with Torx® screws in special design with low head (on request).

Easyslide is available in three different versions:

Version 1 - SINGLE SLIDER

This linear bearing consists of a guide rail and a slider that runs within the ball cage in the guide rail. High load capacities, compact cross-sections and simple and easy mounting characterize the complete series. Below we list only the standard lengths and strokes of Version 1. Special strokes and lengths on request.

Version 2 - MULTIPLE INDEPENDENT SLIDERS

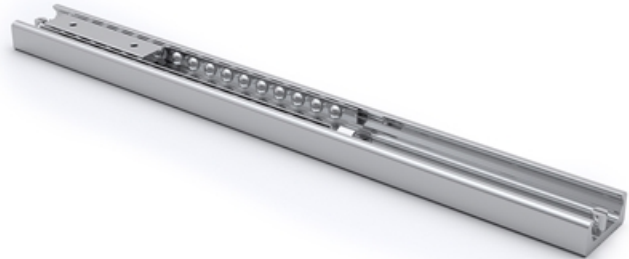
Variant with several sliders, which each runs in its own ball cage, independent of each other in the guide rail. Can be configured and used in an almost infinite variety of ways. The most common is to make a symmetrical configuration. Contact Rollco for further advice.

Version 3 - MULTIPLE SYNCHRONIZED SLIDERS

Several sliders run in a common ball cage within the guide rails. The division of the inner slider in two parts have a positive influence on load capacity and running behavior under high M_z and M_y loads. Contact Rollco for detailed advice and calculations.

Dimensions in mm.

Weight: Rail 6.1 kg/m, slider 6,9 kg/m



Version 1 - SINGLE SLIDER

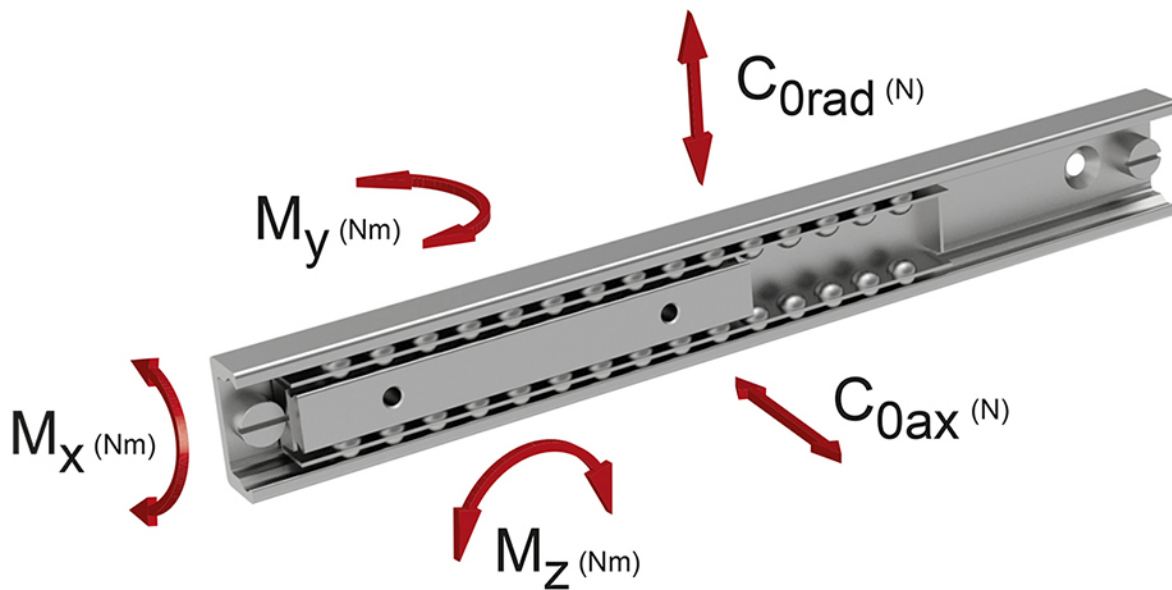


Version 2 - MULTIPLE INDEPENDENT SLIDERS



Version 3 - MULTIPLE SYNCHRONIZED SLIDERS

General Data



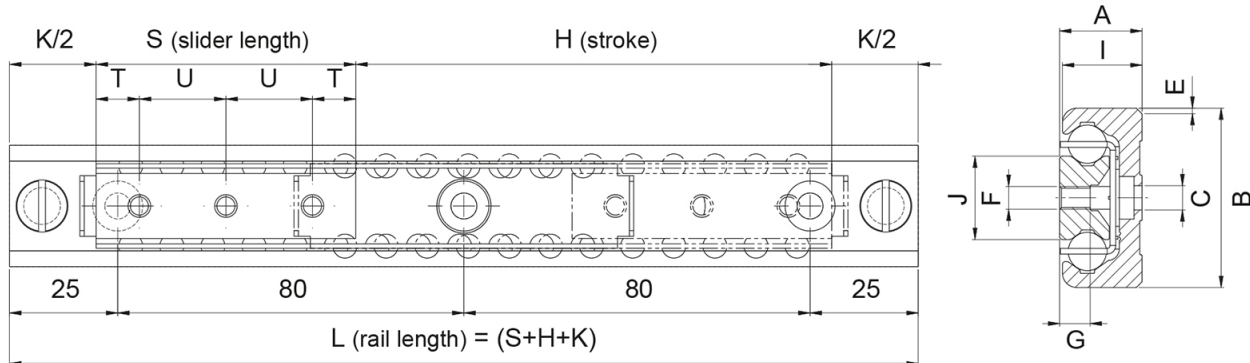
Designation	System Load Capacity Radial (N)	System Load Capacity Axial (N)	Permissible Moment Mx (Nm)	Permissible Moment My (Nm)	Permissible Moment Mz (Nm)
SN63-130-400-610	26000	18200	238	394	563
SN63-130-480-690	26000	18200	238	394	563
SN63-130-560-770	26000	18200	238	394	563
SN63-130-640-850	26000	18200	238	394	563
SN63-130-720-930	26000	18200	238	394	563
SN63-130-800-1010	26000	18200	238	394	563
SN63-210-320-610	42000	29400	385.8	1029	1470
SN63-210-400-690	42000	29400	385.8	1029	1470
SN63-210-480-770	42000	29400	385.8	1029	1470
SN63-210-560-850	42000	29400	385.8	1029	1470
SN63-210-640-930	42000	29400	385.8	1029	1470
SN63-210-720-1010	42000	29400	385.8	1029	1470
SN63-210-880-1170	42000	29400	385.8	1029	1470
SN63-210-1040-1330	42000	29400	385.8	1029	1470
SN63-210-1200-1490	42000	29400	385.8	1029	1470
SN63-210-1360-1650	42000	29400	385.8	1029	1470
SN63-290-240-610	58000	40600	532.8	1962	2803
SN63-290-320-690	58000	40600	532.8	1962	2803
SN63-290-400-770	58000	40600	532.8	1962	2803
SN63-290-480-850	58000	40600	532.8	1962	2803
SN63-290-560-930	58000	40600	532.8	1962	2803
SN63-290-640-1010	58000	40600	532.8	1962	2803
SN63-290-800-1170	58000	40600	532.8	1962	2803
SN63-290-960-1330	58000	40600	532.8	1962	2803
SN63-290-1120-1490	58000	40600	532.8	1962	2803

General Data

Designation	System Load Capacity Radial (N)	System Load Capacity Axial (N)	Permissible Moment Mx (Nm)	Permissible Moment My (Nm)	Permissible Moment Mz (Nm)
SN63-290-1280-1650	58000	40600	532.8	1962	2803
SN63-370-320-770	74000	51800	679.8	3194	4563
SN63-370-400-850	74000	51800	679.8	3194	4563
SN63-370-480-930	74000	51800	679.8	3194	4563
SN63-370-560-1010	74000	51800	679.8	3194	4563
SN63-370-720-1170	74000	51800	679.8	3194	4563
SN63-370-880-1330	74000	51800	679.8	3194	4563
SN63-370-1040-1490	74000	51800	679.8	3194	4563
SN63-370-1200-1650	74000	51800	679.8	3194	4563
SN63-370-1360-1810	74000	51800	679.8	3194	4563
SN63-450-400-930	90000	63000	826.7	4725	6750
SN63-450-480-1010	90000	63000	826.7	4725	6750
SN63-450-640-1170	90000	63000	826.7	4725	6750
SN63-450-800-1330	90000	63000	826.7	4725	6750
SN63-450-960-1490	90000	63000	826.7	4725	6750
SN63-450-1120-1650	90000	63000	826.7	4725	6750
SN63-450-1280-1810	90000	63000	826.7	4725	6750
SN63-450-560-1170	90000	63000	826.7	4725	6750
SN63-530-560-1170	106000	74200	973.7	6554	9363
SN63-530-720-1330	106000	74200	973.7	6554	9363
SN63-530-880-1490	106000	74200	973.7	6554	9363
SN63-530-1040-1650	106000	74200	973.7	6554	9363
SN63-530-1200-1810	106000	74200	973.7	6554	9363
SN63-530-1360-1970	106000	74200	973.7	6554	9363
SN63-610-640-1330	122000	85400	1120.7	8682	12403
SN63-610-800-1490	122000	85400	1120.7	8682	12403
SN63-610-960-1650	122000	85400	1120.7	8682	12403
SN63-610-1120-1810	122000	85400	1120.7	8682	12403
SN63-610-1280-1970	122000	85400	1120.7	8682	12403
SN63-V2	Depends on config.	N/A	N/A	N/A	N/A
SN63-V3	Depends on config.	N/A	N/A	N/A	N/A

Dimensions

Version 1, with single slider



To ensure that all fixing holes of the rail are accessible, S must be $< L/2 - K$.
To ensure proper smooth movement it is necessary that $H \leq 7S$.

Designation	L	H	A	B	S	Number of Fixing Holes	C	E	F
SN63-130-400-610	610	400	29	63	130	2	M8	2x45	M8
SN63-130-480-690	690	480	29	63	130	2	M8	2x45	M8
SN63-130-560-770	770	560	29	63	130	2	M8	2x45	M8
SN63-130-640-850	850	640	29	63	130	2	M8	2x45	M8
SN63-130-720-930	930	720	29	63	130	2	M8	2x45	M8
SN63-130-800-1010	1010	800	29	63	130	2	M8	2x45	M8
SN63-210-320-610	610	320	29	63	210	3	M8	2x45	M8
SN63-210-400-690	690	400	29	63	210	3	M8	2x45	M8
SN63-210-480-770	770	480	29	63	210	3	M8	2x45	M8
SN63-210-560-850	850	560	29	63	210	3	M8	2x45	M8
SN63-210-640-930	930	640	29	63	210	3	M8	2x45	M8
SN63-210-720-1010	1010	720	29	63	210	3	M8	2x45	M8
SN63-210-880-1170	1170	880	29	63	210	3	M8	2x45	M8
SN63-210-1040-1330	1330	1040	29	63	210	3	M8	2x45	M8
SN63-210-1200-1490	1490	1200	29	63	210	3	M8	2x45	M8
SN63-210-1360-1650	1650	1360	29	63	210	3	M8	2x45	M8
SN63-290-240-610	610	240	29	63	290	4	M8	2x45	M8
SN63-290-320-690	690	320	29	63	290	4	M8	2x45	M8
SN63-290-400-770	770	400	29	63	290	4	M8	2x45	M8
SN63-290-480-850	850	480	29	63	290	4	M8	2x45	M8
SN63-290-560-930	930	560	29	63	290	4	M8	2x45	M8
SN63-290-640-1010	1010	640	29	63	290	4	M8	2x45	M8
SN63-290-800-1170	1170	800	29	63	290	4	M8	2x45	M8
SN63-290-960-1330	1330	960	29	63	290	4	M8	2x45	M8
SN63-290-1120-1490	1490	1120	29	63	290	4	M8	2x45	M8
SN63-290-1280-1650	1650	1280	29	63	290	4	M8	2x45	M8
SN63-370-320-770	770	320	29	63	370	5	M8	2x45	M8
SN63-370-400-850	850	400	29	63	370	5	M8	2x45	M8

Dimensions

Designation	L	H	A	B	S	Number of Fixing Holes	C	E	F
SN63-370-480-930	930	480	29	63	370	5	M8	2x45	M8
SN63-370-560-1010	1010	560	29	63	370	5	M8	2x45	M8
SN63-370-720-1170	1170	720	29	63	370	5	M8	2x45	M8
SN63-370-880-1330	1330	880	29	63	370	5	M8	2x45	M8
SN63-370-1040-1490	1490	1040	29	63	370	5	M8	2x45	M8
SN63-370-1200-1650	1650	1200	29	63	370	5	M8	2x45	M8
SN63-370-1360-1810	1810	1360	29	63	370	5	M8	2x45	M8
SN63-450-400-930	930	400	29	63	450	6	M8	2x45	M8
SN63-450-480-1010	1010	480	29	63	450	6	M8	2x45	M8
SN63-450-640-1170	1170	640	29	63	450	6	M8	2x45	M8
SN63-450-800-1330	1330	800	29	63	450	6	M8	2x45	M8
SN63-450-960-1490	1490	960	29	63	450	6	M8	2x45	M8
SN63-450-1120-1650	1650	1120	29	63	450	6	M8	2x45	M8
SN63-450-1280-1810	1810	1280	29	63	450	6	M8	2x45	M8
SN63-450-560-1170	1170	560	29	63	450	6	M8	2x45	M8
SN63-530-560-1170	1170	560	29	63	530	7	M8	2x45	M8
SN63-530-720-1330	1330	720	29	63	530	7	M8	2x45	M8
SN63-530-880-1490	1490	880	29	63	530	7	M8	2x45	M8
SN63-530-1040-1650	1650	1040	29	63	530	7	M8	2x45	M8
SN63-530-1200-1810	1810	1200	29	63	530	7	M8	2x45	M8
SN63-530-1360-1970	1970	1360	29	63	530	7	M8	2x45	M8
SN63-610-640-1330	1330	640	29	63	610	8	M8	2x45	M8
SN63-610-800-1490	1490	800	29	63	610	8	M8	2x45	M8
SN63-610-960-1650	1650	960	29	63	610	8	M8	2x45	M8
SN63-610-1120-1810	1810	1120	29	63	610	8	M8	2x45	M8
SN63-610-1280-1970	1970	1280	29	63	610	8	M8	2x45	M8
SN63-V2	Depends on config.	N/A	29	63	N/A	N/A	M8	2x45	M8
SN63-V3	Depends on config.	N/A	29	63	N/A	N/A	M8	2x45	M8

Designation	G	I	J	K	T	U
SN63-130-400-610	10.5	28	29.3	80	25	80
SN63-130-480-690	10.5	28	29.3	80	25	80
SN63-130-560-770	10.5	28	29.3	80	25	80
SN63-130-640-850	10.5	28	29.3	80	25	80
SN63-130-720-930	10.5	28	29.3	80	25	80
SN63-130-800-1010	10.5	28	29.3	80	25	80
SN63-210-320-610	10.5	28	29.3	80	25	80
SN63-210-400-690	10.5	28	29.3	80	25	80
SN63-210-480-770	10.5	28	29.3	80	25	80
SN63-210-560-850	10.5	28	29.3	80	25	80

Dimensions

Designation	G	I	J	K	T	U
SN63-210-640-930	10.5	28	29.3	80	25	80
SN63-210-720-1010	10.5	28	29.3	80	25	80
SN63-210-880-1170	10.5	28	29.3	80	25	80
SN63-210-1040-1330	10.5	28	29.3	80	25	80
SN63-210-1200-1490	10.5	28	29.3	80	25	80
SN63-210-1360-1650	10.5	28	29.3	80	25	80
SN63-290-240-610	10.5	28	29.3	80	25	80
SN63-290-320-690	10.5	28	29.3	80	25	80
SN63-290-400-770	10.5	28	29.3	80	25	80
SN63-290-480-850	10.5	28	29.3	80	25	80
SN63-290-560-930	10.5	28	29.3	80	25	80
SN63-290-640-1010	10.5	28	29.3	80	25	80
SN63-290-800-1170	10.5	28	29.3	80	25	80
SN63-290-960-1330	10.5	28	29.3	80	25	80
SN63-290-1120-1490	10.5	28	29.3	80	25	80
SN63-290-1280-1650	10.5	28	29.3	80	25	80
SN63-370-320-770	10.5	28	29.3	80	25	80
SN63-370-400-850	10.5	28	29.3	80	25	80
SN63-370-480-930	10.5	28	29.3	80	25	80
SN63-370-560-1010	10.5	28	29.3	80	25	80
SN63-370-720-1170	10.5	28	29.3	80	25	80
SN63-370-880-1330	10.5	28	29.3	80	25	80
SN63-370-1040-1490	10.5	28	29.3	80	25	80
SN63-370-1200-1650	10.5	28	29.3	80	25	80
SN63-370-1360-1810	10.5	28	29.3	80	25	80
SN63-450-400-930	10.5	28	29.3	80	25	80
SN63-450-480-1010	10.5	28	29.3	80	25	80
SN63-450-640-1170	10.5	28	29.3	80	25	80
SN63-450-800-1330	10.5	28	29.3	80	25	80
SN63-450-960-1490	10.5	28	29.3	80	25	80
SN63-450-1120-1650	10.5	28	29.3	80	25	80
SN63-450-1280-1810	10.5	28	29.3	80	25	80
SN63-450-560-1170	10.5	28	29.3	80	25	80
SN63-530-560-1170	10.5	28	29.3	80	25	80
SN63-530-720-1330	10.5	28	29.3	80	25	80
SN63-530-880-1490	10.5	28	29.3	80	25	80
SN63-530-1040-1650	10.5	28	29.3	80	25	80
SN63-530-1200-1810	10.5	28	29.3	80	25	80
SN63-530-1360-1970	10.5	28	29.3	80	25	80
SN63-610-640-1330	10.5	28	29.3	80	25	80
SN63-610-800-1490	10.5	28	29.3	80	25	80
SN63-610-960-1650	10.5	28	29.3	80	25	80

Dimensions

Designation	G	I	J	K	T	U
SN63-610-1120-1810	10.5	28	29.3	80	25	80
SN63-610-1280-1970	10.5	28	29.3	80	25	80
SN63-V2	10.5	28	29.3	80	25	80
SN63-V3	10.5	28	29.3	80	25	80

RA Grease

NLGI grade 1.5

Clear grease based on synthetic oils and PTFE. Will fulfil all severe specifications from bearing manufacturers, industrial applications and vehicle producers. Very suitable for use where long service life is required and desired. The specific rheological properties of the lubricant will give very low good flow properties of the grease at extremely low temperatures, at the same time the high film strength and thickness will guarantee lubrication also at elevated temperatures. The type of PTFE used will adhere strongly to all surfaces lubricated and give a very low friction coefficient. The grease is water resistant, withstands oxidation, has very good mechanical stability, is completely non-toxic and provides a very wide application temperature range.

Temperature: -40 to +260 °C (application range)



General Data

Designation	Remark	Colour	Weight (g)
RA Grease NLGI 1.5	Cartridge package	Translucent white	400 g