

## DBN35

Full extension consisting of two guide rails, both fixed and movable, and two sliders which together form the intermediate element. The size is similar to the DE series and offers good protection from dirt of the open ballcage.

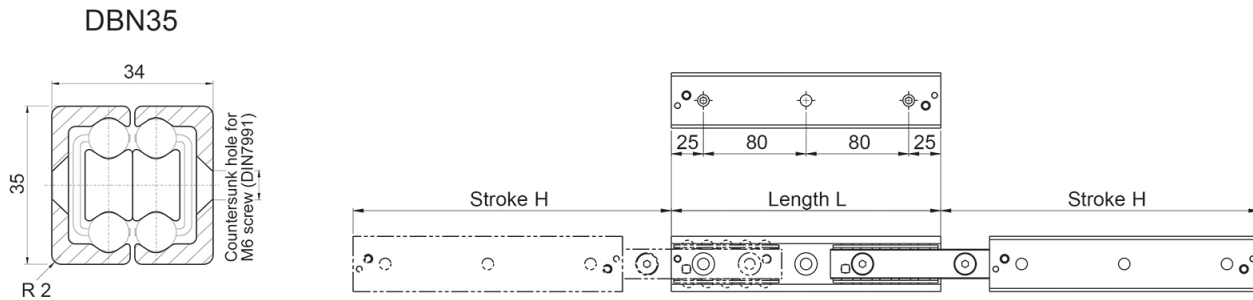
Special strokes are defined as deviations from standard stroke H. They are each available as multiples of the values in the table below. These values are dependent on the spacing of the ballcage. See Stroke modification in table.

Dimensions in mm.

System Load Capacity Radial and System Load Capacity Axial value refers to a pair of rails.

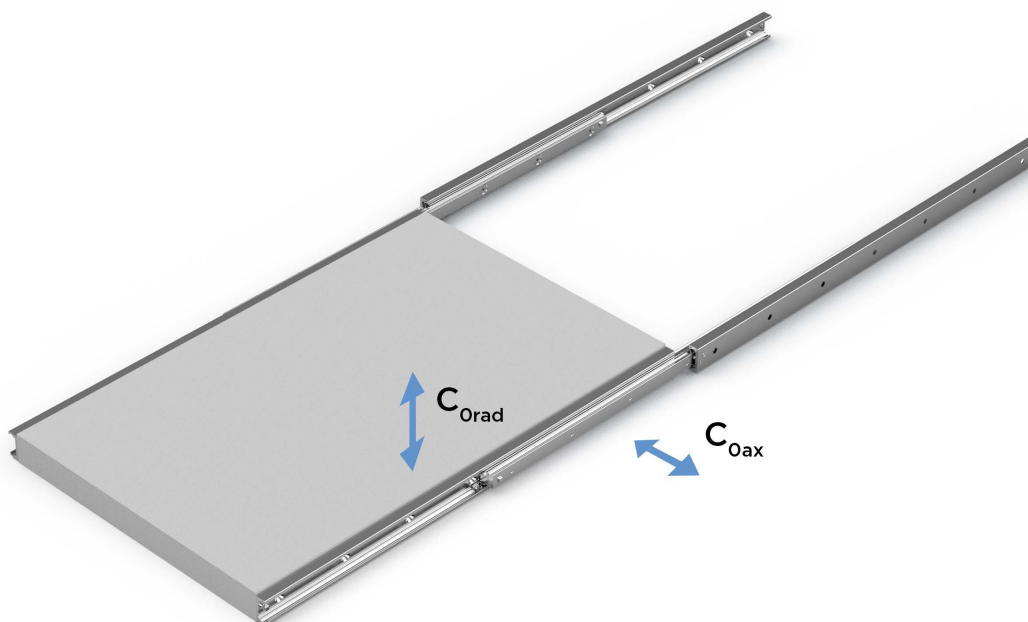


## Variant Data



Designation	Length	Stroke	Number of Fixing Holes	Stroke Modification	Weight (kg/m)
DBN35-210	210	254	3	24	6.1
DBN35-290	290	318	4	24	6.1
DBN35-370	370	406	5	24	6.1
DBN35-450	450	494	6	24	6.1
DBN35-530	530	558	7	24	6.1
DBN35-610	610	646	8	24	6.1
DBN35-690	690	734	9	24	6.1
DBN35-770	770	798	10	24	6.1
DBN35-850	850	886	11	24	6.1
DBN35-930	930	974	12	24	6.1
DBN35-1010	1010	1038	13	24	6.1
DBN35-1090	1090	1126	14	24	6.1
DBN35-1170	1170	1214	15	24	6.1
DBN35-1250	1250	1278	16	24	6.1
DBN35-1330	1330	1366	17	24	6.1
DBN35-1410	1410	1454	18	24	6.1
DBN35-1490	1490	1518	19	24	6.1

## Load & Moment



Designation	System Load Capacity Radial (N)	System Load Capacity Axial (N)
DBN35-210	804	562
DBN35-290	1334	1120
DBN35-370	1044	1044
DBN35-450	858	858
DBN35-530	788	788
DBN35-610	676	676
DBN35-690	594	594
DBN35-770	558	558
DBN35-850	500	500
DBN35-930	454	454
DBN35-1010	434	434
DBN35-1090	398	398
DBN35-1170	366	366
DBN35-1250	354	354
DBN35-1330	330	330
DBN35-1410	308	308
DBN35-1490	298	298