

DE..35

Full extension consisting of two guide rails, combined as double-T profile, form the intermediate element, and two sliders, which as fixed and movable element form the connection to the adjacent construction. The square cross-section allows a compact size with high load capacities and low deflection, especially with radial loading. A custom design is available for extensions with double-sided strokes. The simultaneous movement of the intermediate element is implemented with a driving disc.

There are three versions of fixing holes available for the DE series in sizes 22 to 43:

- Version DEF with threaded holes.
- Version DEV with countersunk holes.
- Version DEM, both variants (mixed).
- Size 63 is always with threaded holes.

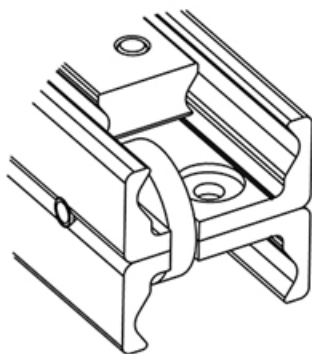
Custom Design DE Version D

The eccentrically located driving disc on both ends of the DE...D ensures that the intermediate element is carried along and does not remain standing at an undefined location during double-sided strokes. This custom design is available in sizes 28, 35, 43 and 63 with all three versions of the fixing holes. It is built on the standard design of the DE series, however deviates in the technical data based on the model. For CAD-files or more information please contact Rollco.

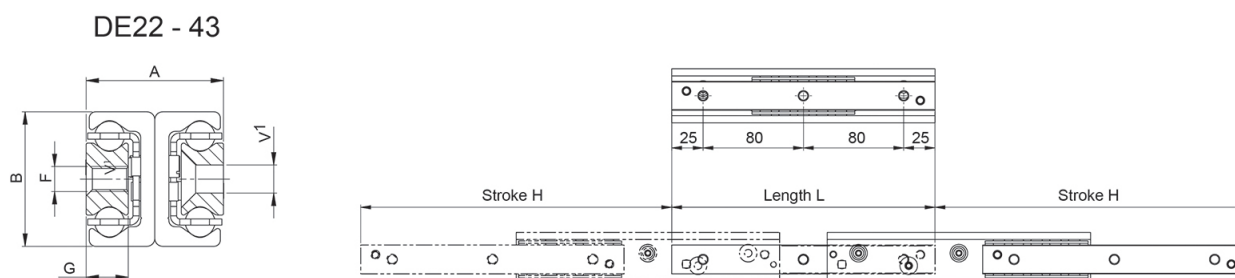
Special strokes are defined as deviations from standard stroke H. See section "Special strokes" in the document Technical Information for Telescopic Rail Heavy.

Dimensions in mm.

System Load Capacity Radial and System Load Capacity Axial values refers to a pair of rails.

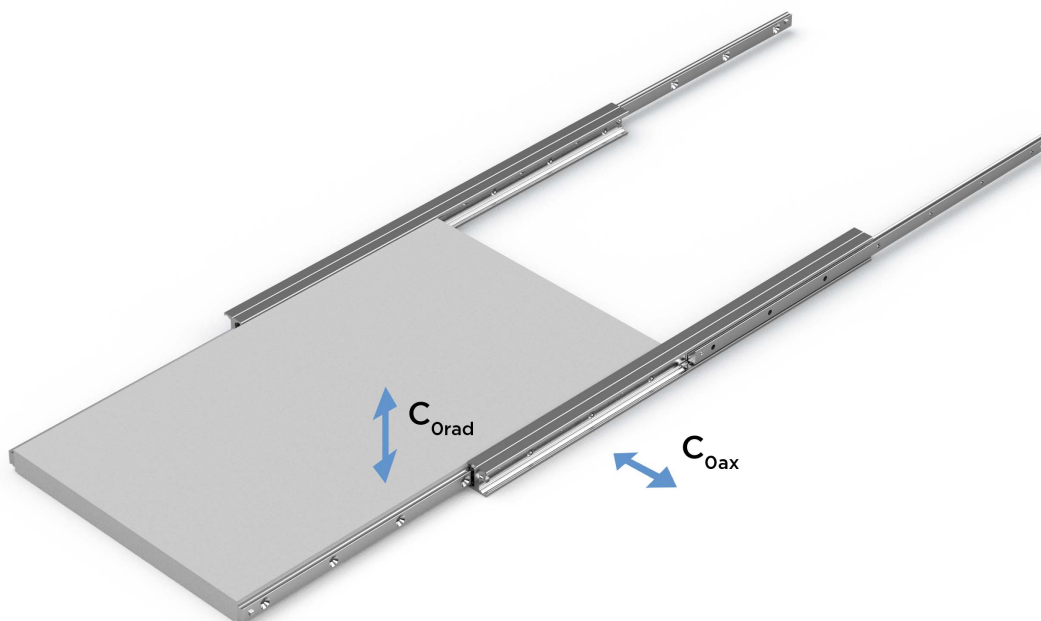


Variant Data



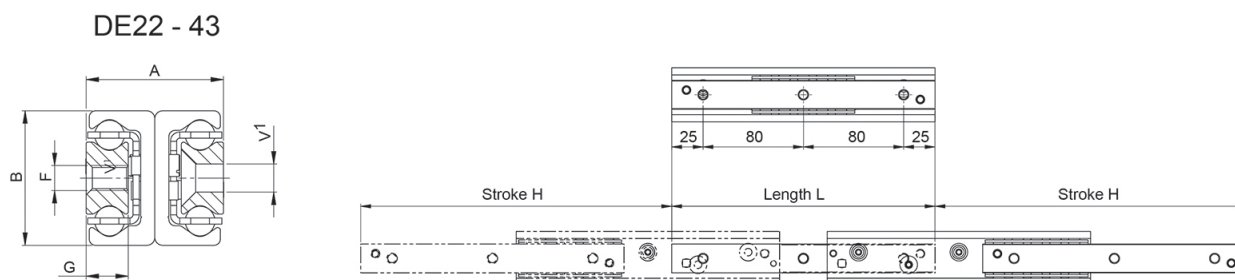
Designation	Length	Stroke	Number of Fixing Holes	Weight (kg/m)
DE..35-210	210	254	3	6.1
DE..35-290	290	318	4	6.1
DE..35-370	370	406	5	6.1
DE..35-450	450	494	6	6.1
DE..35-530	530	558	7	6.1
DE..35-610	610	646	8	6.1
DE..35-690	690	734	9	6.1
DE..35-770	770	798	10	6.1
DE..35-850	850	886	11	6.1
DE..35-930	930	974	12	6.1
DE..35-1010	1010	1038	13	6.1
DE..35-1090	1090	1126	14	6.1
DE..35-1170	1170	1214	15	6.1
DE..35-1250	1250	1278	16	6.1
DE..35-1330	1330	1366	17	6.1
DE..35-1410	1410	1454	18	6.1
DE..35-1490	1490	1518	19	6.1

Load & Moment



Designation	System Load Capacity Radial (N)	System Load Capacity Axial (N)
DE..35-210	804	562
DE..35-290	1600	1120
DE..35-370	2050	1436
DE..35-450	2500	1586
DE..35-530	3370	1456
DE..35-610	3816	1252
DE..35-690	3378	1096
DE..35-770	3182	1032
DE..35-850	2850	926
DE..35-930	2582	838
DE..35-1010	2466	800
DE..35-1090	2262	734
DE..35-1170	2090	678
DE..35-1250	2012	654
DE..35-1330	1874	608
DE..35-1410	1754	570
DE..35-1490	1700	552

Dimensions



Designation	A	B	F	G	V
DE..35-210	34	35	M6	10	M6
DE..35-290	34	35	M6	10	M6
DE..35-370	34	35	M6	10	M6
DE..35-450	34	35	M6	10	M6
DE..35-530	34	35	M6	10	M6
DE..35-610	34	35	M6	10	M6
DE..35-690	34	35	M6	10	M6
DE..35-770	34	35	M6	10	M6
DE..35-850	34	35	M6	10	M6
DE..35-930	34	35	M6	10	M6
DE..35-1010	34	35	M6	10	M6
DE..35-1090	34	35	M6	10	M6
DE..35-1170	34	35	M6	10	M6
DE..35-1250	34	35	M6	10	M6
DE..35-1330	34	35	M6	10	M6
DE..35-1410	34	35	M6	10	M6
DE..35-1490	34	35	M6	10	M6