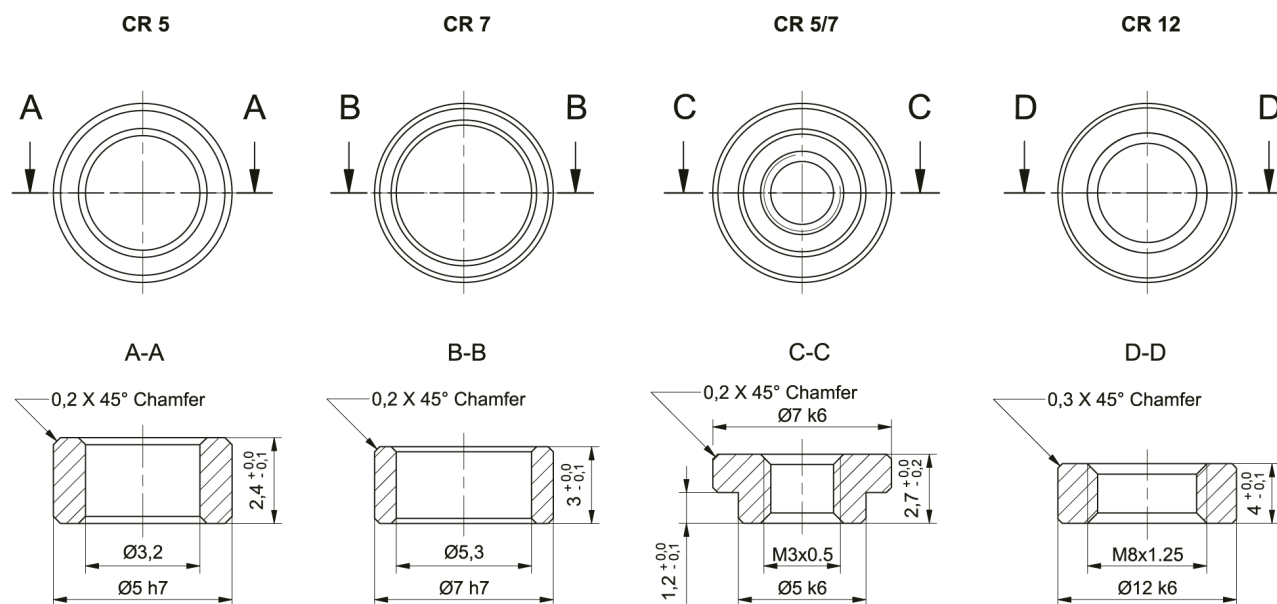


Centering ring

Material: Stainless steel



Variant Data



Designation	Mass (g)
CR 5 - 107094	0,20
CR 7 - 23332	0,40
CR 5/7 - 107095	0,50
CR 12 - 49049	2,40