

## LZ

Set contains 2 pcs.

Dimensions in mm.

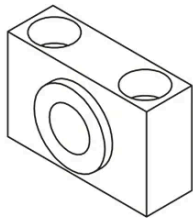
**Material:** Galvanized steel



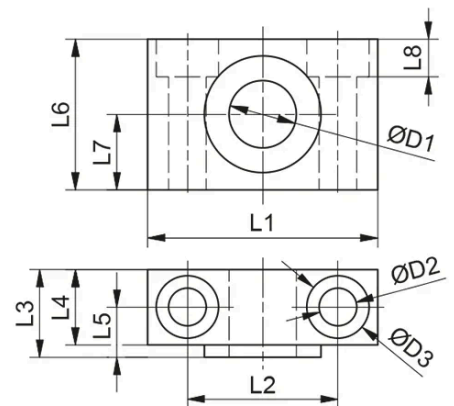
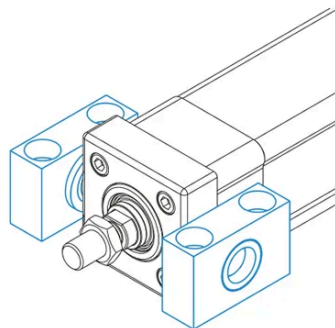
## General Data

| Designation   | Description | Compatible with | Fmax (N) | Mass (kg) |
|---------------|-------------|-----------------|----------|-----------|
| LZ 32 - 8139  | LZ 32       | PNCE 32         | F PNCE   | 0.1       |
| LZ 40 - 8141  | LZ 40       | PNCE 40         | F PNCE   | 0.15      |
| LZ 50 - 8141  | LZ 50       | PNCE 50         | 9200     | 0.15      |
| LZ 63 - 8143  | LZ 63       | PNCE 63         | 12800    | 0.25      |
| LZ 80 - 8143  | LZ 80       | PNCE 80         | 12800    | 0.25      |
| LZ 100 - 8135 | LZ 100      | PNCE 100        | 20000    | 0.4       |

## Dimensions



SIMPLE SUPPORT



| Designation   | L1 | L2        | L3   | L4 | L5   | L6 | L7        | L8        | D1      |
|---------------|----|-----------|------|----|------|----|-----------|-----------|---------|
| LZ 32 - 8139  | 46 | 32 (±0.2) | 18   | 15 | 10.5 | 30 | 15 (±0.1) | 7 (±0.5)  | 12 (F7) |
| LZ 40 - 8141  | 55 | 36 (±0.2) | 21   | 18 | 12   | 36 | 18 (±0.1) | 9 (±0.5)  | 16 (F7) |
| LZ 50 - 8141  | 55 | 36 (±0.2) | 21   | 18 | 12   | 36 | 18 (±0.1) | 9 (±0.5)  | 16 (F7) |
| LZ 63 - 8143  | 65 | 42 (±0.2) | 23   | 20 | 13   | 40 | 20 (±0.1) | 11 (±0.5) | 20 (F7) |
| LZ 80 - 8143  | 65 | 42 (±0.2) | 23   | 20 | 13   | 40 | 20 (±0.1) | 11 (±0.5) | 20 (F7) |
| LZ 100 - 8135 | 75 | 50 (±0.2) | 28.5 | 25 | 16   | 50 | 25 (±0.1) | 13 (±0.5) | 25 (F7) |

| Designation   | D2          | D3         |
|---------------|-------------|------------|
| LZ 32 - 8139  | Ø 6.6 (H13) | Ø 11 (H13) |
| LZ 40 - 8141  | Ø 9 (H13)   | Ø 15 (H13) |
| LZ 50 - 8141  | Ø 9 (H13)   | Ø 15 (H13) |
| LZ 63 - 8143  | Ø 11 (H13)  | Ø 18 (H13) |
| LZ 80 - 8143  | Ø 11 (H13)  | Ø 18 (H13) |
| LZ 100 - 8135 | Ø 14 (H13)  | Ø 20 (H13) |