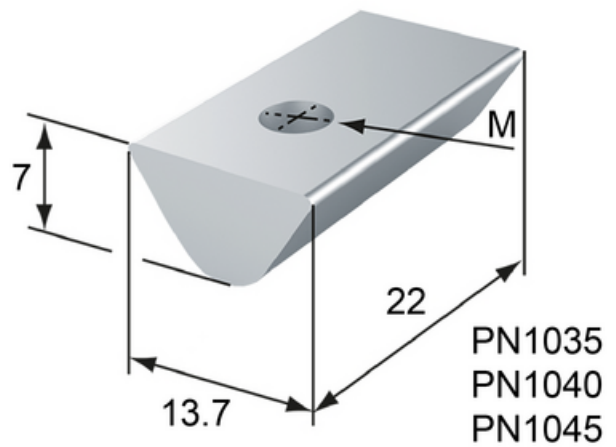
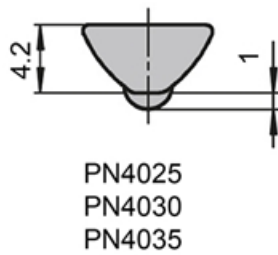
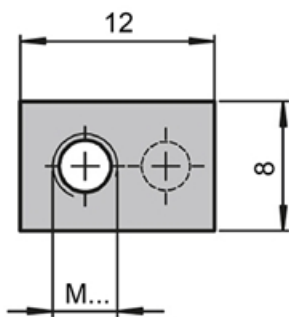
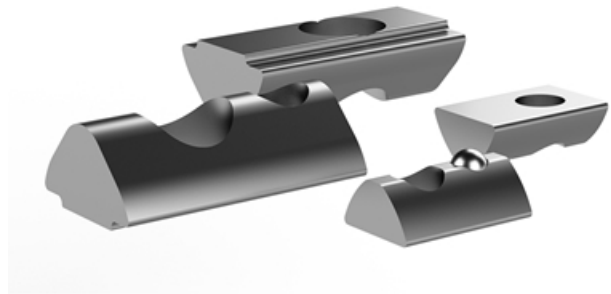
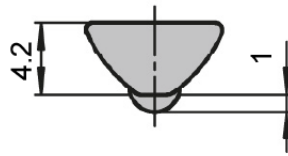
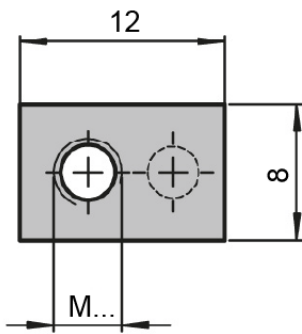


T-Slots / T-Nuts

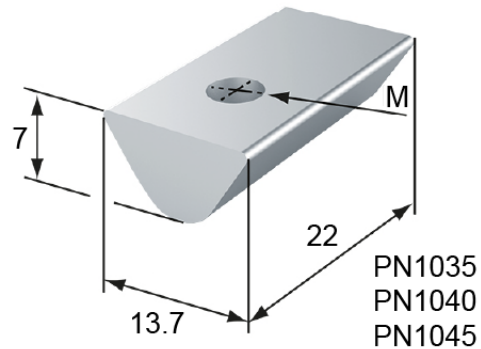
T-slot nuts. Dimensions in mm.



Product Data



PN4025
PN4030
PN4035



PN1035
PN1040
PN1045

Designation	Description	Material	Thread	Weight (g)
PN4025	M3, bottom slots RHL80 (Pivoting slot nut, ball spring)	Steel, galvanised	M3	-
PN4030	M4, bottom slots RHL80 (Pivoting slot nut, ball spring)	Steel, galvanised	M4	-
PN4035	M5, bottom slots RHL80 (Pivoting slot nut, ball spring)	Steel, galvanised	M5	-
PN1035	M5, side slots RHL80/RHL110, bottom slots RHL110 (T-Nut ball- type, push-in)	-	M5	11
PN1040	M6, side slots RHL80/RHL110, bottom slots RHL110 (T-Nut ball- type, push-in)	-	M6	10
PN1045	M8, side slots RHL80/RHL110, bottom slots RHL110 (T-Nut ball- type, push-in)	-	M8	9