

FTSU

Aluminium with mounting holes.

Standard section length $L = 4000$ mm. Lengths other than standard ($L_{\max} = 4000$ mm) are also available on request.

Support rails can be supplied upon request, with or without mounting holes. No anodizing in holes.

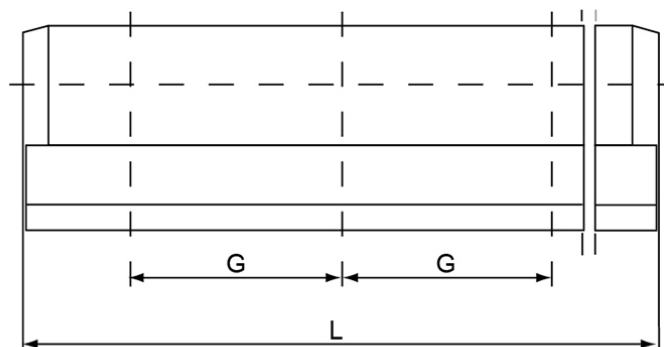
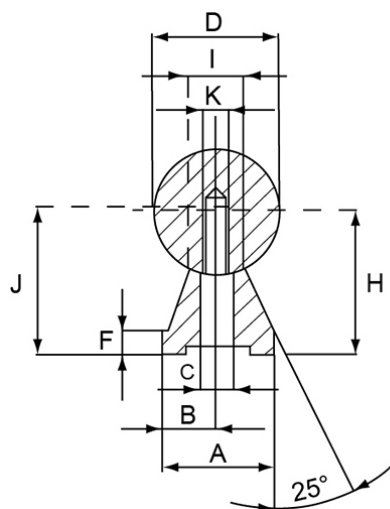
Dimensions in mm.

Note: The shaft is not included, please order separately.

Material: Aluminium



Product Data



Designation	G	A	B	H	D
FTSU16G	100	14	7	18	16
FTSU20G	100	17	8.5	22	20
FTSU25G	120	21	10.5	26	25
FTSU30G	150	23	11.5	30	30
FTSU40G	200	40	15	39	40

Designation	K	F	C	I	J	Remark
FTSU16G	M5	3	5.5	7	19	Standard section length L = 4000 mm
FTSU20G	M6	3	6.6	8.1	23	Standard section length L = 4000 mm
FTSU25G	M8	3	9	10.3	28.5	Standard section length L = 4000 mm
FTSU30G	M10	3	11	11	32	Standard section length L = 4000 mm
FTSU40G	M10	4	13.5	15	39.5	Standard section length L = 4000 mm