

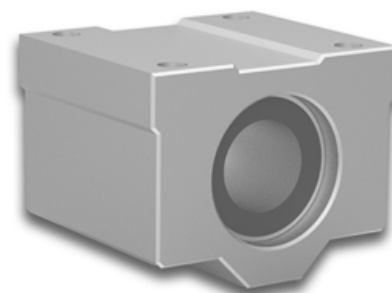
KBA...UU

Dimensions in mm.

Other types available on request.

NOTE: Linear Units can also be supplied with self-aligning SBE-Bushing (KBE...UU) or stainless LMES-Bushing (KBS..UU).

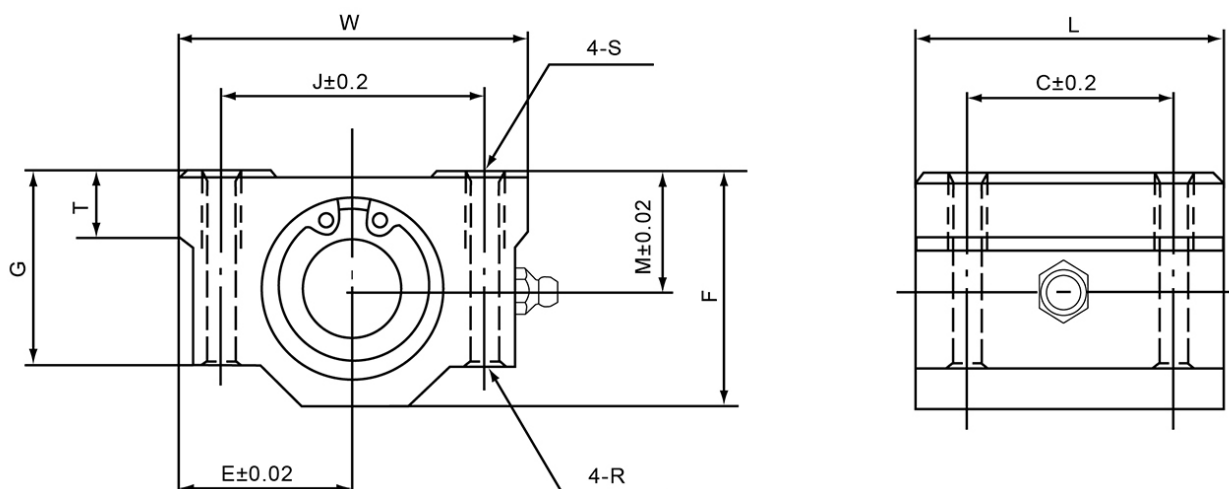
Material: Aluminium 6063 + 100Cr6



Load and weight

Designation	Dynamic Load Capacity (N)	Static Load Capacity (N)
KBA12UU	520	740
KBA16UU	590	910
KBA20UU	880	1400
KBA25UU	1000	1600
KBA30UU	1600	2800
KBA40UU	2200	4000
KBA50UU	3900	8100

Dimensions and data



Designation	L	W	C	E	F
KBA12UU	39	44	26	22	30
KBA16UU	44	50	34	25	38.5
KBA20UU	53	54	40	27	41
KBA25UU	67	76	50	38	51.5
KBA30UU	76	78	58	39	59.5
KBA40UU	90	102	60	51	78
KBA50UU	110	122	80	61	102

Designation	G	J	M	R	S	T
KBA12UU	24.5	33	15	4.3	M5	8
KBA16UU	32.5	36	19	4.3	M5	9
KBA20UU	35	40	21	5.2	M6	11
KBA25UU	42	54	26	7	M8	12
KBA30UU	49	58	30	7	M8	15
KBA40UU	62	80	40	8.7	M10	20
KBA50UU	80	100	52	8.7	M10	25

Designation	Inscribed Circle Diameter
KBA12UU	12
KBA16UU	16
KBA20UU	20
KBA25UU	25
KBA30UU	30
KBA40UU	40
KBA50UU	50