

LME

Dimensions in mm.
Other types available on request.

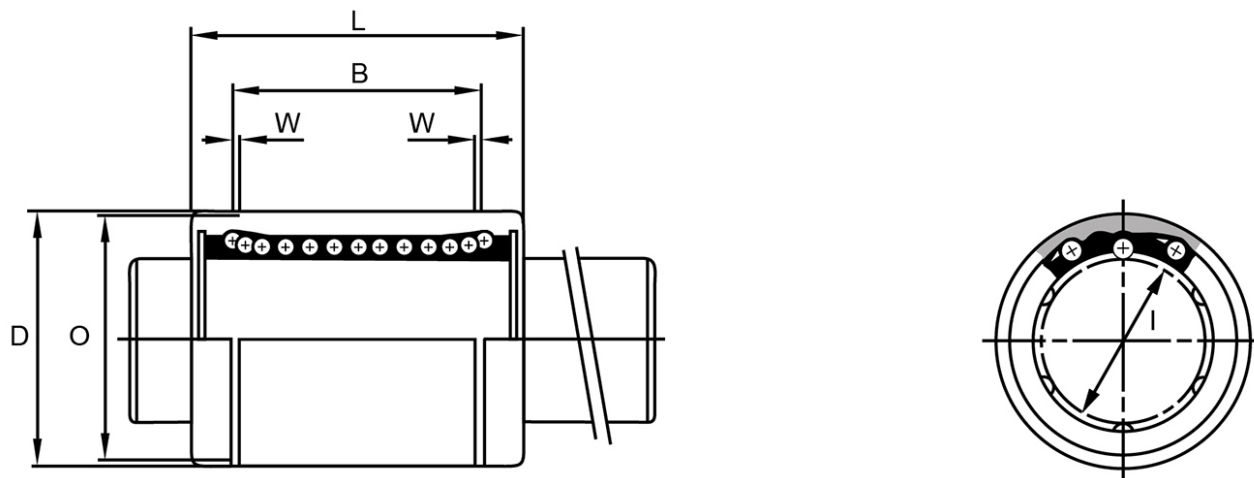
Material: 100Cr6



Load and weight

| Designation | Dynamic Load Capacity (N) | Static Load Capacity (N) | Number Of Ball Rows |
|-------------|---------------------------|--------------------------|---------------------|
| LME5UU | 210 | 270 | 4 |
| LME8UU | 270 | 410 | 4 |
| LME12UU | 520 | 790 | 4 |
| LME16UU | 590 | 910 | 5 |
| LME20UU | 880 | 1400 | 5 |
| LME25UU | 1000 | 1600 | 6 |
| LME30UU | 1600 | 2800 | 6 |
| LME40UU | 2200 | 4000 | 6 |
| LME50UU | 3900 | 8100 | 6 |
| LME60UU | 4800 | 10200 | 6 |

Dimensions and data



| Designation | I | D | L | W | B |
|-------------|----|----|-----|------|-------|
| LME5UU | 5 | 12 | 22 | 1.1 | 14.5 |
| LME8UU | 8 | 16 | 25 | 1.1 | 16.5 |
| LME12UU | 12 | 22 | 32 | 1.3 | 22.9 |
| LME16UU | 16 | 26 | 36 | 1.3 | 24.9 |
| LME20UU | 20 | 32 | 45 | 1.6 | 31.5 |
| LME25UU | 25 | 40 | 58 | 1.85 | 44.1 |
| LME30UU | 30 | 47 | 68 | 1.85 | 52.1 |
| LME40UU | 40 | 62 | 80 | 2.15 | 60.6 |
| LME50UU | 50 | 75 | 100 | 2.65 | 77.6 |
| LME60UU | 60 | 90 | 125 | 3.15 | 101.7 |

| Designation | O |
|-------------|------|
| LME5UU | 11.5 |
| LME8UU | 15.2 |
| LME12UU | 21 |
| LME16UU | 24.9 |
| LME20UU | 30.3 |
| LME25UU | 37.5 |
| LME30UU | 44.5 |
| LME40UU | 59 |
| LME50UU | 72 |
| LME60UU | 86.5 |