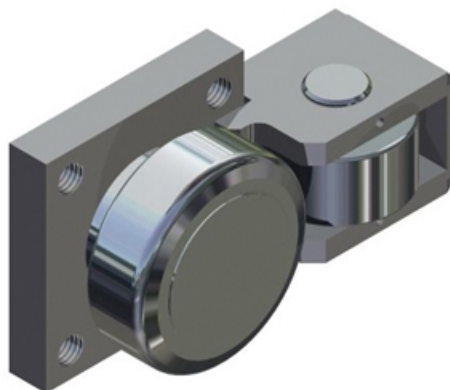


## STR---.4200

- Completely made of 1.4301 stainless steel with bearing bush out of synthetic material.

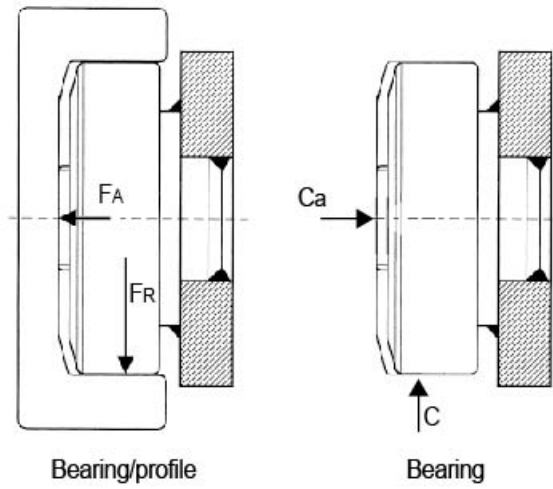
Use profile UP---.0780

Dimensions in mm.



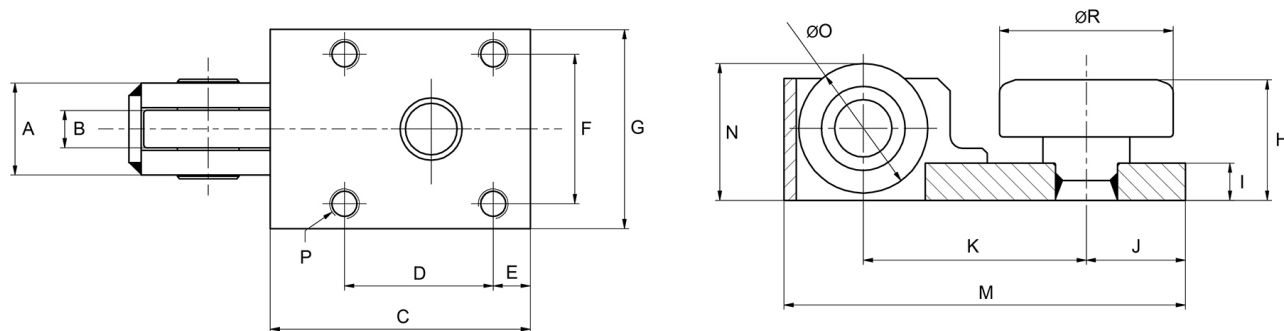
## Load and weight

FA = System Load Capacity Axial  
 FR = System Load Capacity Radial  
 Ca = Dynamic Load Capacity Axial  
 C = Dynamic Load Capacity Radial



Designation	System Load Capacity Radial (N)	System Load Capacity Axial (N)	Profile
STR070.4200	6000	3000	UP---.0780
STR080.4200	7200	3000	UP---.0780

## Dimensions



Designation	A	B	C	D	E	F	G	H	I
STR070.4200	37	15	105	60	15	60	80	48.5	15
STR080.4200	37	15	105	60	15	60	80	48.5	15

Designation	J	K	M	N	O	P	R
STR070.4200	40	90	162	55	Ø 55	4 x M12	Ø 52
STR080.4200	40	90	162	55	Ø 55	4 x M12	Ø 52