

## XSTR---.6200

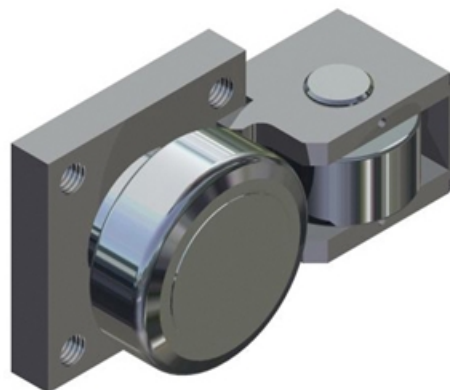
- Axial roller with 35% higher load capacity.
- Extra sustainable
- Extra exact
- Extra strong
- Extra long-lasting
- Special dimensions on request

Use profile XUP---.0700

Order example: XSTR080.6200

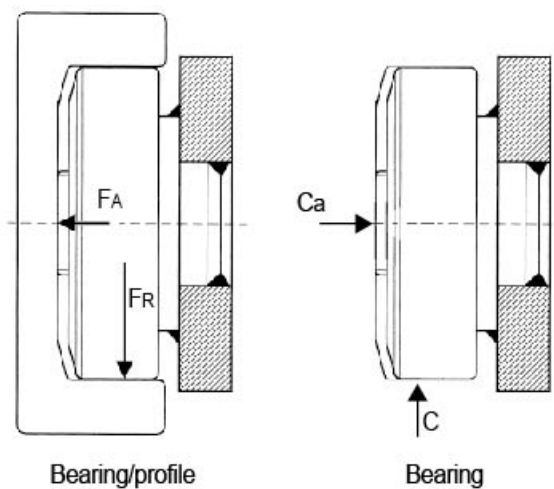
Heavy roller XSTR080.6200

Dimensions in mm.



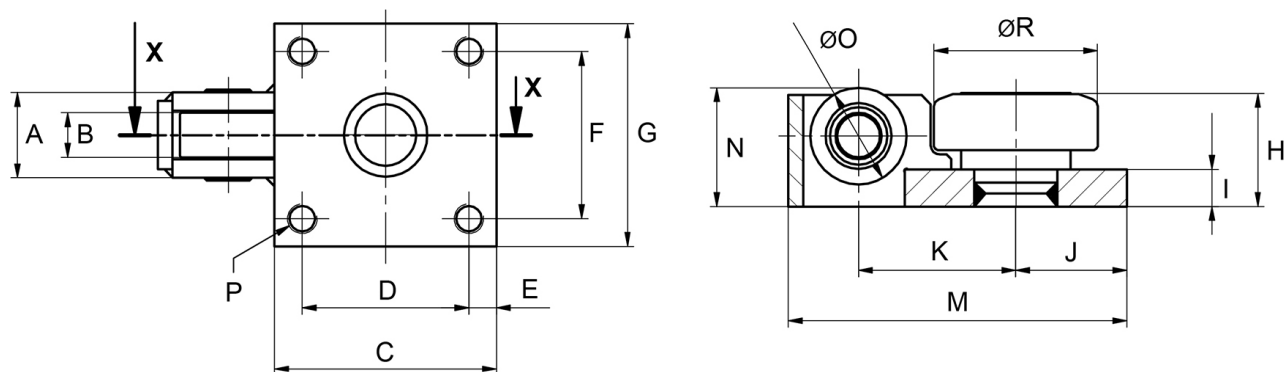
## Load and weight

FA = System Load Capacity Axial  
 FR = System Load Capacity Radial  
 Ca = Dynamic Load Capacity Axial  
 C = Dynamic Load Capacity Radial



Designation	System Load Capacity Radial (N)	System Load Capacity Axial (N)	Profile
XSTR060.6200	15390	9000	XUP---.0700
XSTR070.6200	16430	14000	XUP---.0700
XSTR080.6200	18210	14000	XUP---.0700
XSTR090.6200	31680	17000	XUP---.0700
XSTR110.6200	34850	27000	XUP---.0700
XSTR120.6200	47430	27000	XUP---.0700
XSTR150.6200	82190	27000	XUP---.0700

## Dimensions



Designation	A	B	C	D	E	F	G	H	I
XSTR060.6200	38	20	70	50	10	50	70	41.5	12
XSTR070.6200	42	24	80	60	10	60	80	49	15
XSTR080.6200	46	24	100	70	15	70	100	48.5	15
XSTR090.6200	46	24	120	90	15	90	120	61	20
XSTR110.6200	54	28	140	100	20	100	140	71.5	20
XSTR120.6200	54	28	140	100	20	100	140	71.5	20
XSTR150.6200	54	28	160	120	20	120	160	79	25

Designation	J	K	M	N	O	P	R
XSTR060.6200	35	55	118	42.5	Ø 40	4 x M10	Ø 65.5
XSTR070.6200	40	65	137	51	Ø 47	4 x M12	Ø 73.8
XSTR080.6200	50	75	157	51.5	Ø 47	4 x M12	Ø 81.7
XSTR090.6200	60	85	183	64	Ø 52	4 x M16	Ø 92.4
XSTR110.6200	70	105	223	75	Ø 72	4 x M16	Ø 111.4
XSTR120.6200	70	107	225	76	Ø 72	4 x M16	Ø 126.8
XSTR150.6200	80	80	248	83.5	Ø 72	4 x M16	Ø 153.1