

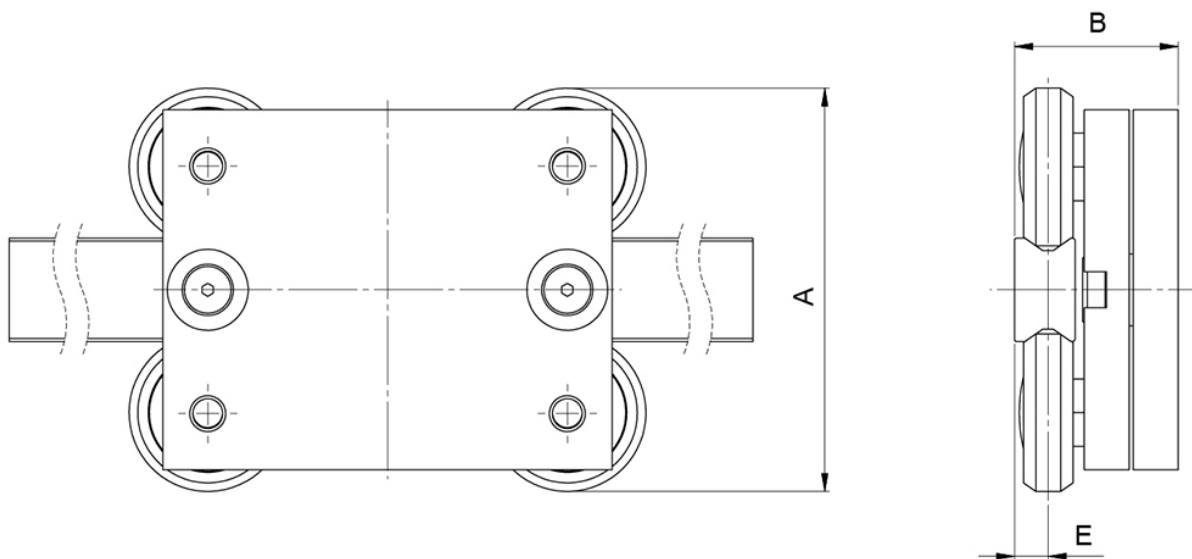
Mounted Slider & Rail

Dimensions in mm.

Please contact us for CAD-files.



Product Data



Designation	A	B	E
CKR01-CCT08	60	32.3	5.7
CVR01-CCT08	60	32.3	5.7
CKR05-CCT11	89.5	36.4	7.5
CVR05-CCT11	89.5	36.4	7.5