

Table of contents

- **CKR/CVR**
- **CCT**
- **Mounted Slider & Rail**
- **RA Grease**

CKR/CVR

Curvi Line is available in two rail widths. Rails are made of zinc plated carbon steel. Stainless steel or carbon steel rails with tempered raceways are available as option. Rails can be ordered with constant or variable radius according to requirements. The use of standard radii is recommended. Rails are also available in straight version.

The layout of CKR guide rails corresponds to a partial section of a complete circle. CVR curvilinear rail is a variable combination of various radii and straight partial pieces.

We customize each application according to drawing.

See document Technical Information for further details.

Dimensions in mm.

Please contact us for CAD-files.

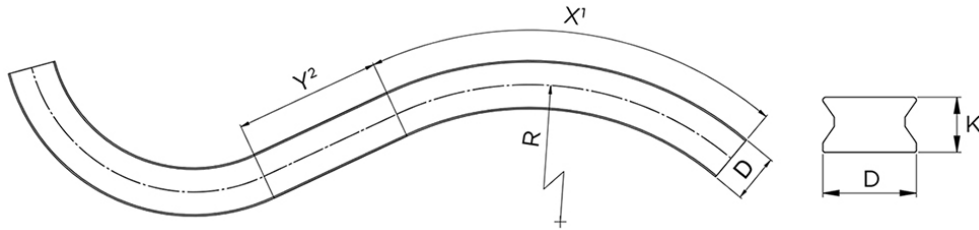
Standard Radii (mm): 150 - 200 - 250 - 300 - 400 - 500 - 600 - 700 - 800 - 900 - 1000



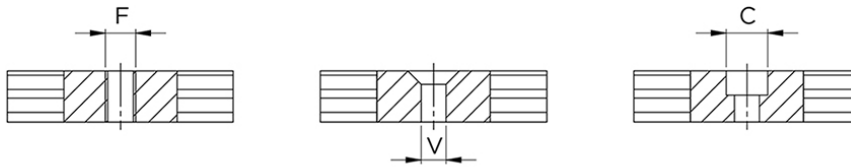
General Data

Designation	Type	Weight (kg/m)
CKR01	Constant	1.2
CVR01	Variable	1.2
CKR05	Constant	2.2
CVR05	Variable	2.2

Dimensions



- ¹ The max. angle (X) is dependent on the radius
² For curvilinear rails with variable radii, Y must be at least 70 mm.



- Fixing holes (V) for countersunk head screws according to DIN 7991.
 Fixing holes (C) for socket cap screws according to DIN 912.
 Treaded fixing holes (F).

Designation	C	D	F	K	V	X	Y
CKR01	up to M5	16.5	up to M6	10	up to M5	Dependent on radius	min. 70
CVR01	up to M5	16.5	up to M6	10	up to M5	Dependent on radius	min. 70
CKR05	up to M6	23	up to M8	13.5	up to M6	Dependent on radius	min. 70
CVR05	up to M6	23	up to M8	13.5	up to M6	Dependent on radius	min. 70

CCT

Sliders with four rollers, arranged in pairs, maintain the preload over the entire rail length. Pivoting roller mounts coupled with concentric and eccentric rollers allows for a smooth operation over complex rail layouts.

Slider in stainless steel is available as an option, contact Rollco for more information.

We customize each application according to drawing.

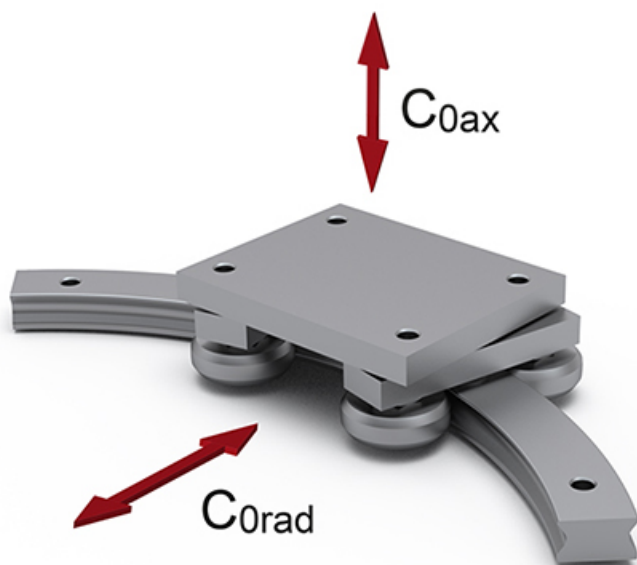
See document Technical Information for further details.

Dimensions in mm.

Please contact us for CAD-files.

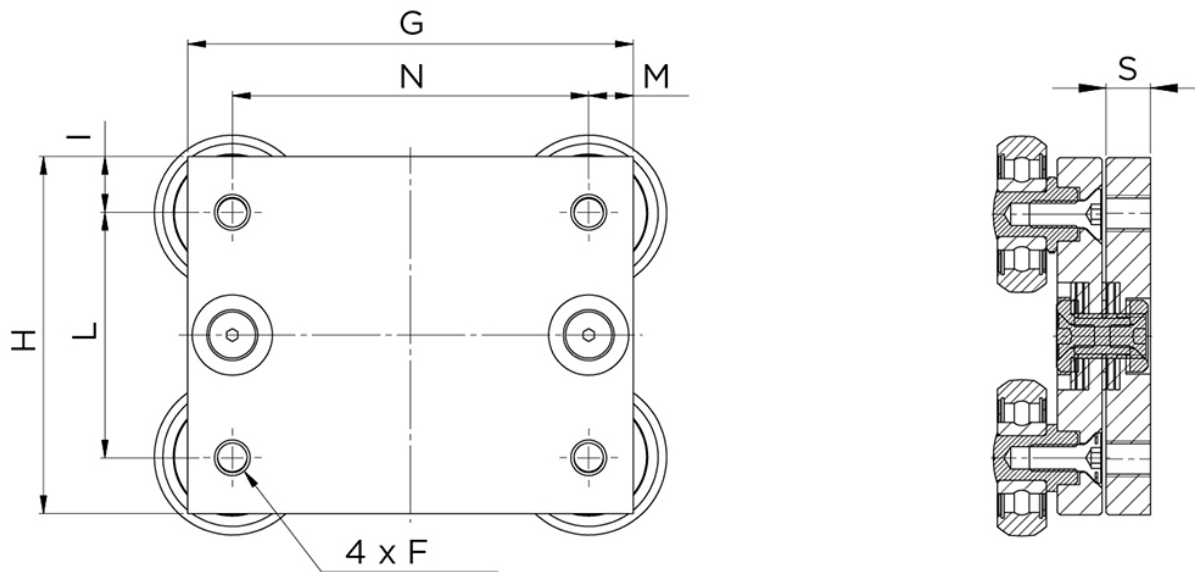


General Data



Designation	Weight (kg)	Load Capacity C_{0ax} (N)	Load Capacity C_{0rad} (N)
CCT08	0.45	400	570
CCT11	1.10	1130	1615

Dimensions



Designation	F	G	H	I	L	M	N	S
CCT08	M5	70	50	10	30	10	50	10
CCT11	M8	100	80	12.5	55	10	80	10

Mounted Slider & Rail

The sliders with four rollers, arranged in pairs, maintain the preload over the entire rail length. Pivoting roller mounts coupled with concentric and eccentric rollers allows for a smooth operation over complex rail layouts.

Rails can be ordered with constant or variable radius according to requirements. The use of standard radii is recommended. The layout of CKR guide rails corresponds to a partial section of a complete circle. CVR curvilinear rail is a variable combination of various radii and straight partial pieces.

Slider and rails in stainless steel, or carbon steel rails with tempered raceways are available as option. Contact us for more information

We customize each application according to drawing.

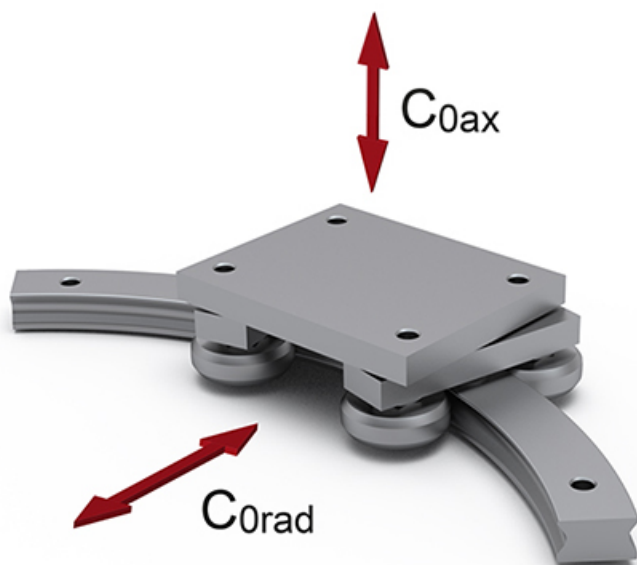
See document Technical Information for further details.

Dimensions in mm.

Please contact us for CAD-files.

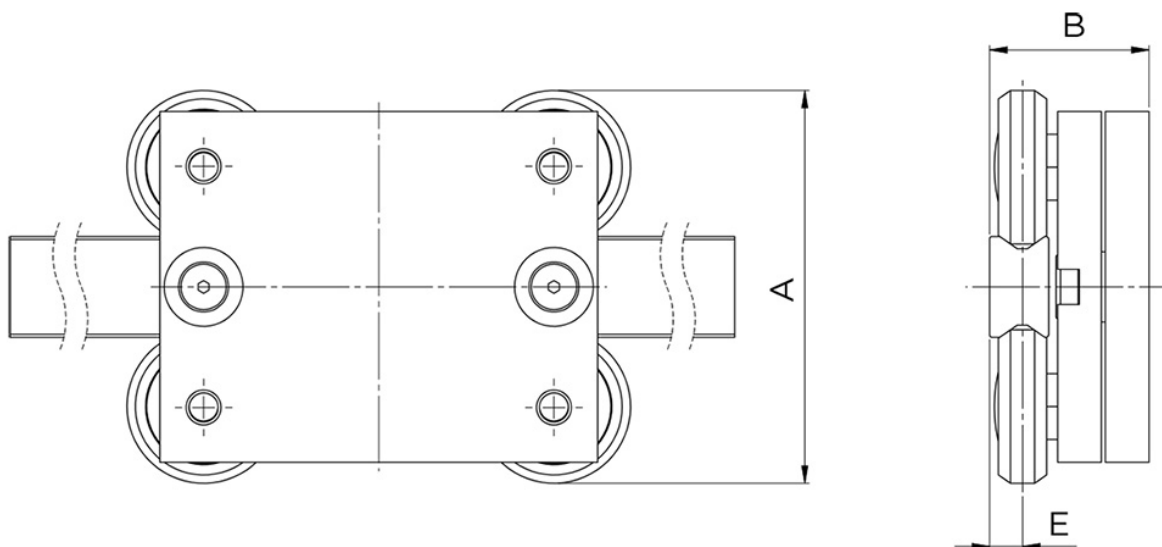


General Data



Designation	Load Capacity C_{0ax} (N)	Load Capacity C_{0rad} (N)
CKR01-CCT08	400	570
CVR01-CCT08	400	570
CKR05-CCT11	1130	1615
CVR05-CCT11	1130	1615

Dimensions



Designation	A	B	E
CKR01-CCT08	60	32.3	5.7
CVR01-CCT08	60	32.3	5.7
CKR05-CCT11	89.5	36.4	7.5
CVR05-CCT11	89.5	36.4	7.5

RA Grease

NLGI grade 1.5

Clear grease based on synthetic oils and PTFE. Will fulfil all severe specifications from bearing manufacturers, industrial applications and vehicle producers. Very suitable for use where long service life is required and desired. The specific rheological properties of the lubricant will give very low good flow properties of the grease at extremely low temperatures, at the same time the high film strength and thickness will guarantee lubrication also at elevated temperatures. The type of PTFE used will adhere strongly to all surfaces lubricated and give a very low friction coefficient. The grease is water resistant, withstands oxidation, has very good mechanical stability, is completely non-toxic and provides a very wide application temperature range.

Temperature: -40 to +260 °C (application range)



General Data

Designation	Remark	Colour	Weight (g)
RA Grease NLGI 1.5	Cartridge package	Translucent white	400 g