

## CKR/CVR

Versatile and innovative curved linear guides with radial ball bearing rollers. The curvilinear guides are available in different versions, with constant or variable radius. Curvi line is ideal for applications such as curved machine housings, door systems in trains or boats, or customized packaging units.

The rail come in two widths, 16 mm and 23 mm. Both rails and sliders are zinc-plated as per ISO 2081. Strokes over 3000 mm are available. Straight and curved paths in one rail is possible.

Sliders with four rollers, arranged in pairs, maintain the preload over the whole length of the rail.

We customize for each application according to drawing.



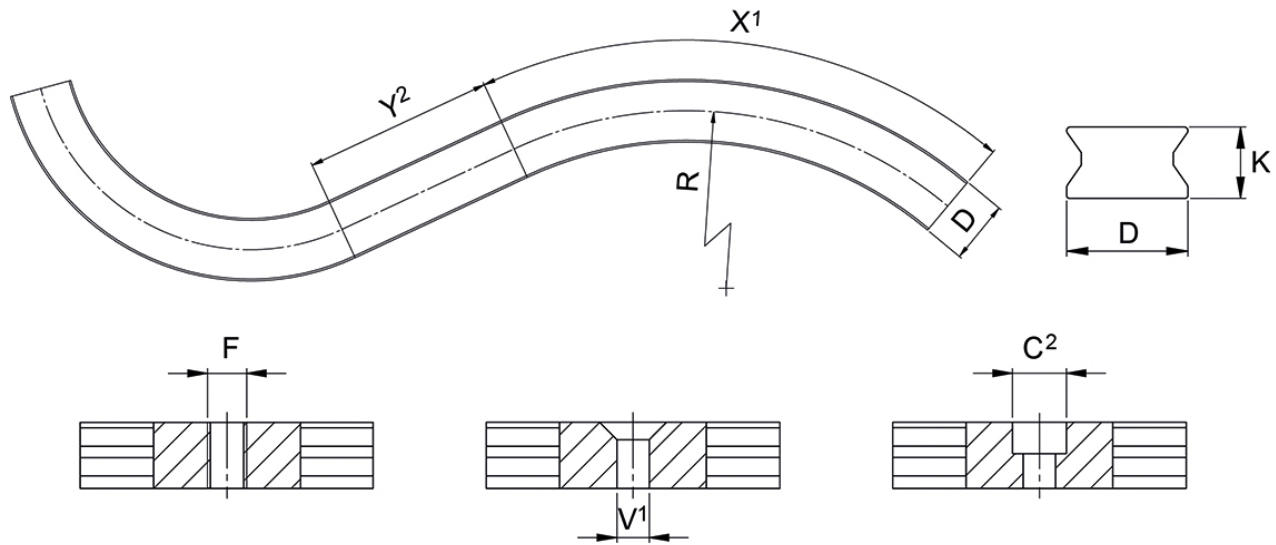
### Technical features

- Available rail widths: CKR01/CVR01: 16.5 mm (0.65 in) and CKR05/CVR05: 23 mm (0.91 in)
- Max. slider operating speed on the rail: 1.5 m/s (59 in/s) (depending on application)
- Max. acceleration: 2 m/s<sup>2</sup> (78 in/s<sup>2</sup>) (depending on application)
- Max. effective length of the rail: 3,240 mm (127.56 in)
- Max. traverse: CCT08: 3,170 mm (124.8 in) and CCT11: 3,140 mm (123.62 in)
- Minimum radius for both sizes: 120 mm (4.72 in).
- Radius tolerance +/- 0.5 mm (0.02 in), angle tolerance +/- 1°
- Temperature range: -20 °C to +80 °C (-4 °F to +176 °F)
- Zinc-plated rail and runner (Rollon Alloy); increased anticorrosion protection on request
- Rail material: C43, Slider body material: Fe360
- Roller material: 100Cr6, roller pins lubricated for life

Dimensions in mm.

Please contact us for CAD-files.

## Product Data



Designation	Type	D	K	F	C
CKR01	Constant	16.5	10	up to M6	up to M5
CVR01	Variable	16.5	10	up to M6	up to M5
CKR05	Constant	23	13.5	up to M8	up to M6
CVR05	Variable	23	13.5	up to M8	up to M6

Designation	V	X	Y	Weight (kg/m)
CKR01	up to M5	Dependent on radius	min. 70	1.2
CVR01	up to M5	Dependent on radius	min. 70	1.2
CKR05	up to M6	Dependent on radius	min. 70	2.2
CVR05	up to M6	Dependent on radius	min. 70	2.2