

## WRC FN

Flanged block, available both with and without ball chain. Versions with ball chain are indicated with ...C in the designation in the table below.

The use of ball chain reduces the number of balls carrying the load. For high load applications or any application where severe chock-loads may occur, the standard version offers better safety margins by its higher static limit (C0).

For light to medium loads where a very long lifetime is required, the ball-cage will show superior life span and reliability.

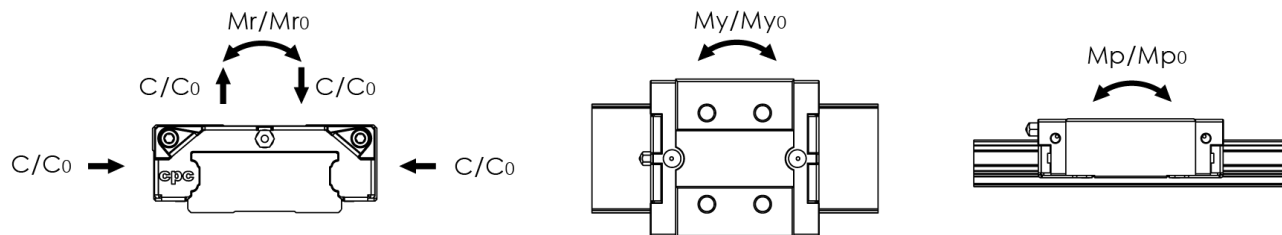
Please note that ball chain versions must never be used for linear speeds exceeding 3 m/s!

Dimensions in mm.

Lead times in the table below are only indications. Choice of preload, accuracy class and other options will affect lead time. Please contact us for exact delivery time for your request.



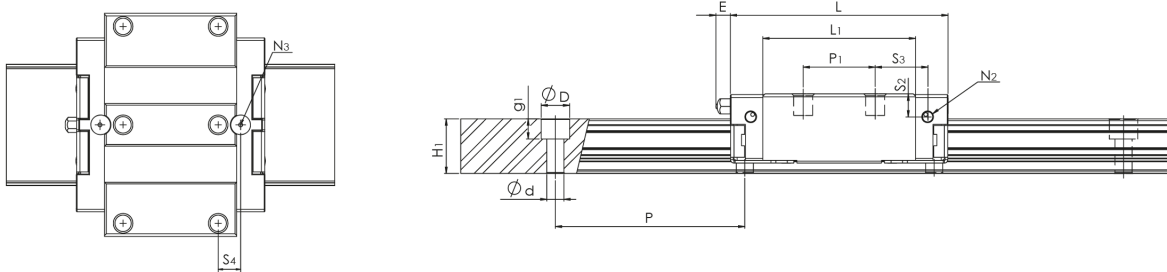
## Load and Weight



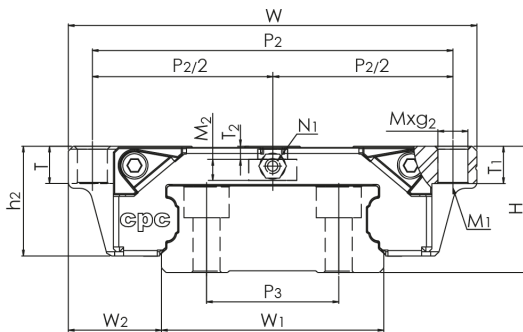
Designation	Dynamic Load Capacity C (KN)	Static Load Capacity C0 (KN)	Static Moment Mr0 (Nm)	Static Moment Mp0 (Nm)	Static Moment My0 (Nm)
<b>WRC21/15FN</b>	9.9	17.5	315	105	105
<b>WRC27/20FN</b>	17.1	30	634	230	230
<b>WRC21/15FN...C</b>	11.8	16.2	295	95	95
<b>WRC27/20FN...C</b>	22.3	25.7	535	200	200

Designation	Weight Block (g)
<b>WRC21/15FN</b>	198
<b>WRC27/20FN</b>	553
<b>WRC21/15FN...C</b>	198
<b>WRC27/20FN...C</b>	553

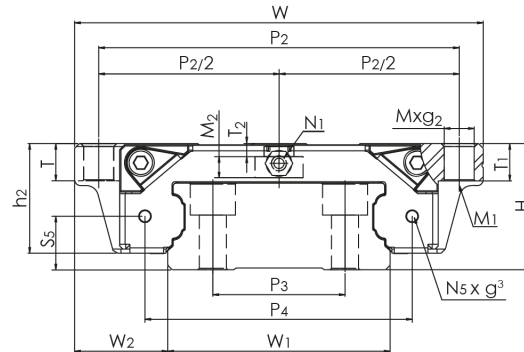
## System Dimensions



**WRC21/15FN**

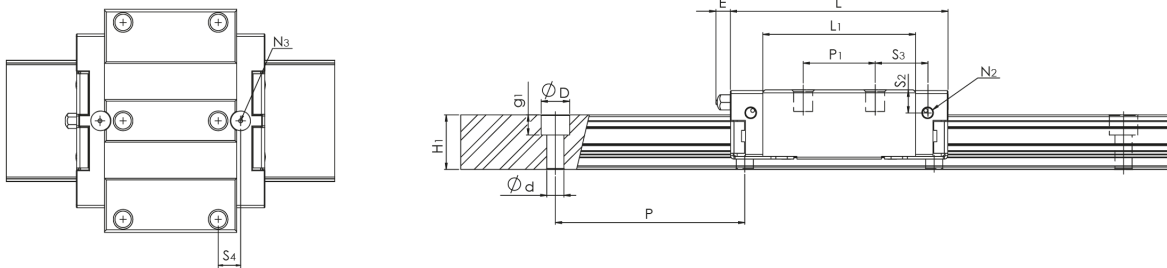


**WRC27/20FN**

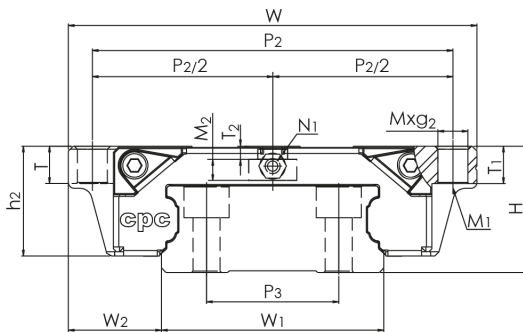


Designation	System Height (H)	System Width (W)	Block Length (L)	W2
WRC21/15FN	21	68	57.5	15.5
WRC27/20FN	27	80	70	19
WRC21/15FN...C	21	68	57.5	15.5
WRC27/20FN...C	27	80	70	19

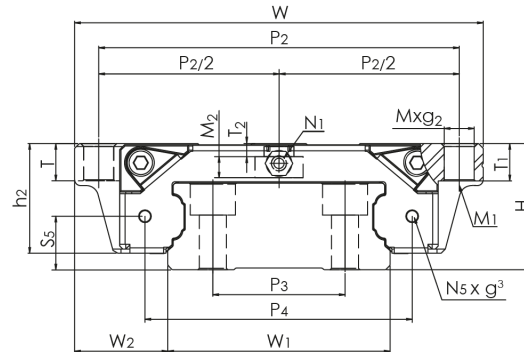
## Mounting block hole



**WRC21/15FN**



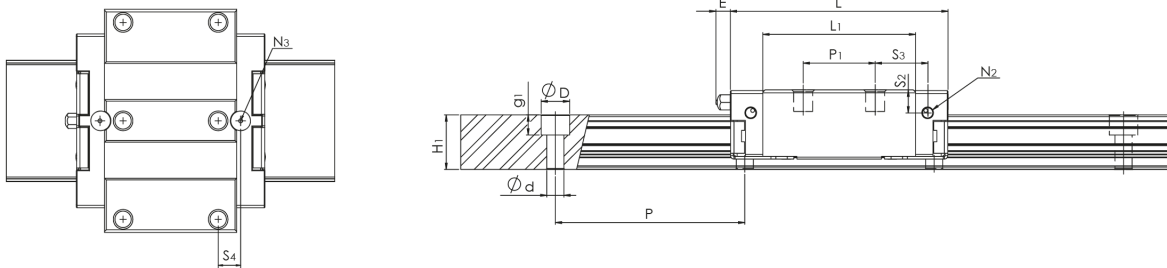
**WRC27/20FN**



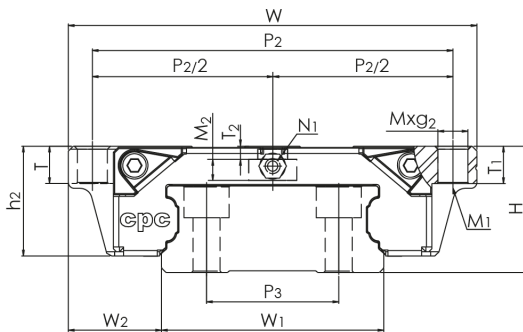
Designation	P2	P1	Mxg2	M1	M2
WRC21/15FN	60	29	M5x7	M4	2.1
WRC27/20FN	70	40	M6x9	M5	4.6
WRC21/15FN...C	60	29	M5x7	M4	2.1
WRC27/20FN...C	70	40	M6x9	M5	4.6

Designation	P4
WRC21/15FN	-
WRC27/20FN	50
WRC21/15FN...C	-
WRC27/20FN...C	50

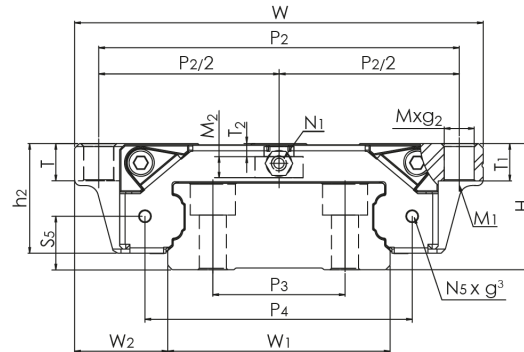
## Rail size



**WRC21/15FN**

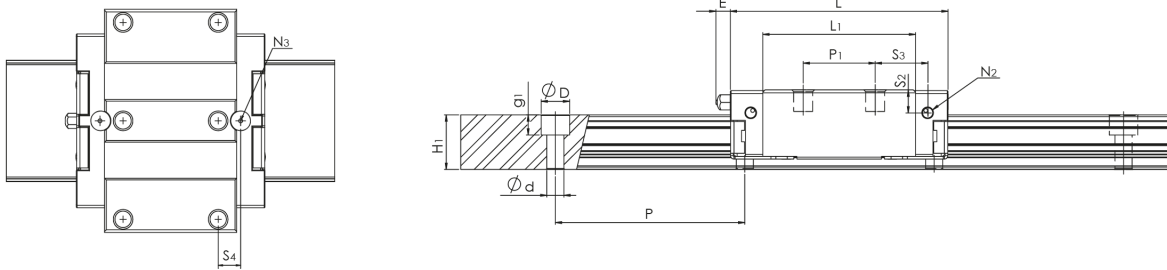


**WRC27/20FN**

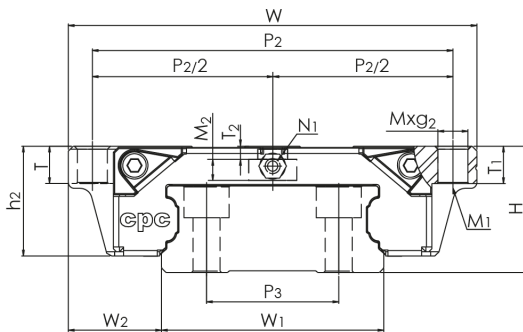


Designation	W1	H1	D x d x g1	Hole Pitch (P)
WRC21/15FN	37	14.4	7.5x4.5x5.3	50
WRC27/20FN	42	18.5	7.5x4.5x5.3	60
WRC21/15FN...C	37	14.4	7.5x4.5x5.3	50
WRC27/20FN...C	42	18.5	7.5x4.5x5.3	60

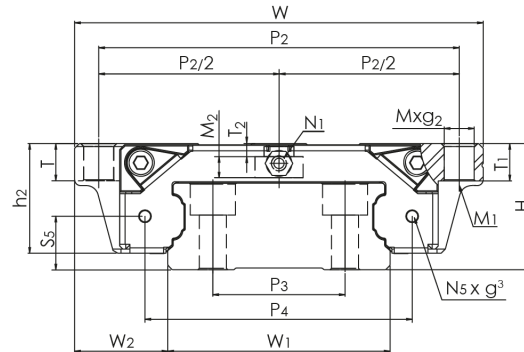
## Block Dimensions



**WRC21/15FN**



**WRC27/20FN**



Designation	Block Length (L)	System Width (W)	L1	h2	W2
WRC21/15FN	57.5	68	40.3	18.3	15.5
WRC27/20FN	70	80	52	23.5	19
WRC21/15FN...C	57.5	68	40.3	18.3	15.5
WRC27/20FN...C	70	80	52	23.5	19

Designation	S1	E	S2	N3	N1	N2
WRC21/15FN	3.3	5.3	6.1	P3	M3	M3x3
WRC27/20FN	4.5	5.3	8	P4	M3	M3x4
WRC21/15FN...C	3.3	5.3	6.1	P3	M3	M3x3
WRC27/20FN...C	4.5	5.3	8	P4	M3	M3x4

Designation	Mxg2	S3	S4	T	H1	T1
WRC21/15FN	M5x7	8.9	6.9	7	14.4	7
WRC27/20FN	M6x9	9.2	7.5	9	18.5	9
WRC21/15FN...C	M5x7	8.9	6.9	7	14.4	-
WRC27/20FN...C	M6x9	9.2	7.5	9	18.5	-

Designation	T2	S5
WRC21/15FN	3.6	-

## Block Dimensions

Designation	T2	S5
WRC27/20FN	3	11
WRC21/15FN...C	3.6	-
WRC27/20FN...C	3	11