

WRC MN

Standard block, available both with and without ball chain. Versions with ball chain are indicated with ...C in the designation in the table below.

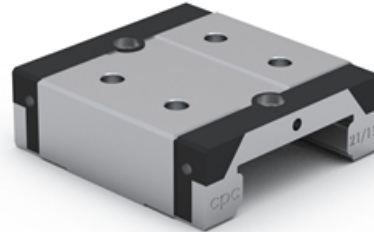
The use of ball chain reduces the number of balls carrying the load. For high load applications or any application where severe chock-loads may occur, the standard version offers better safety margins by its higher static limit (C0).

For light to medium loads where a very long lifetime is required, the ball-cage will show superior life span and reliability.

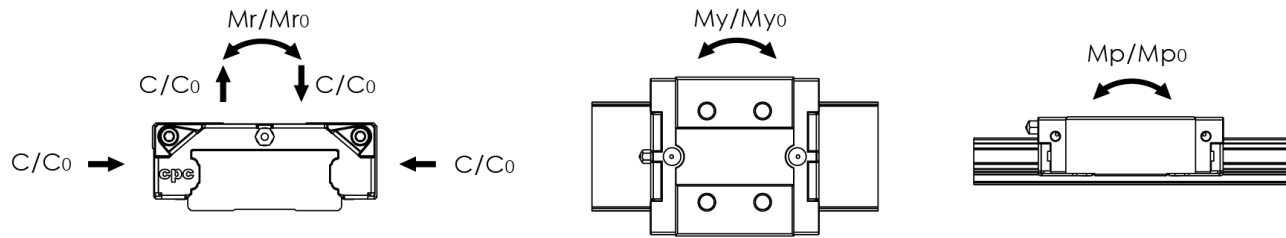
Please note that ball chain versions must never be used for linear speeds exceeding 3 m/s!

Dimensions in mm.

Lead times in the table below are only indications. Choice of preload, accuracy class and other options will affect lead time. Please contact us for exact delivery time for your request.



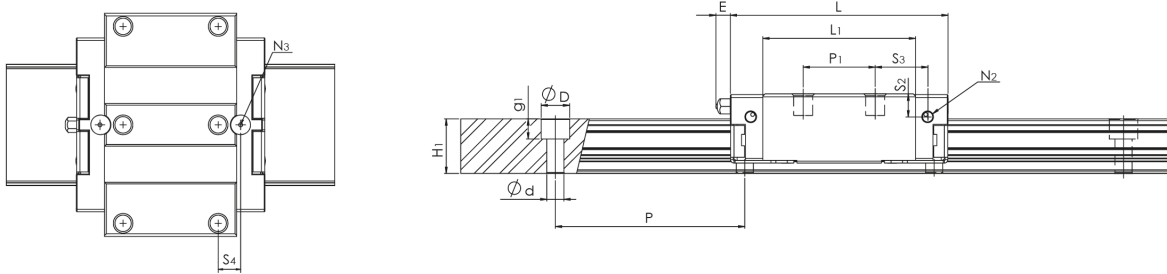
Load and Weight



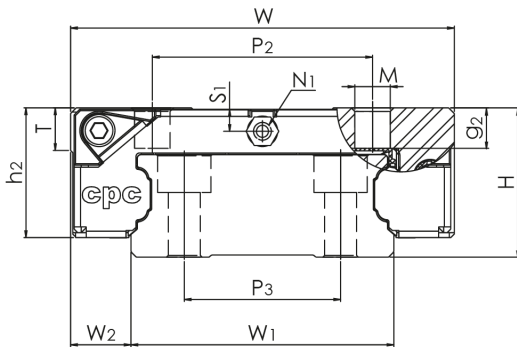
Designation	Dynamic Load Capacity C (KN)	Static Load Capacity C0 (KN)	Static Moment Mr0 (Nm)	Static Moment Mp0 (Nm)	Static Moment My0 (Nm)
WRC21/15MN	9.9	17.5	315	105	105
WRC27/20MN	17.1	30	634	230	230
WRC21/15MN...C	11.8	16.2	295	95	95
WRC27/20MN...C	22.3	25.7	535	200	200

Designation	Weight Block (g)
WRC21/15MN	160
WRC27/20MN	320
WRC21/15MN...C	160
WRC27/20MN...C	320

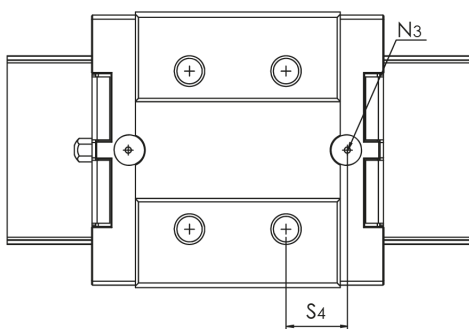
System Dimensions



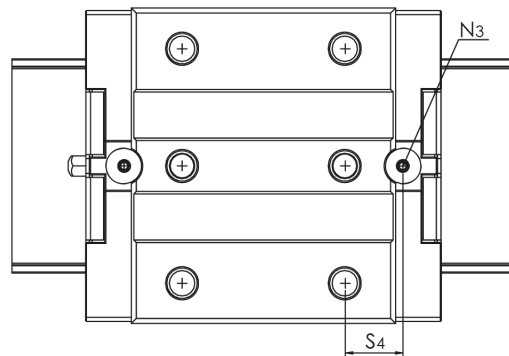
WRC MN



WRC21/15MN

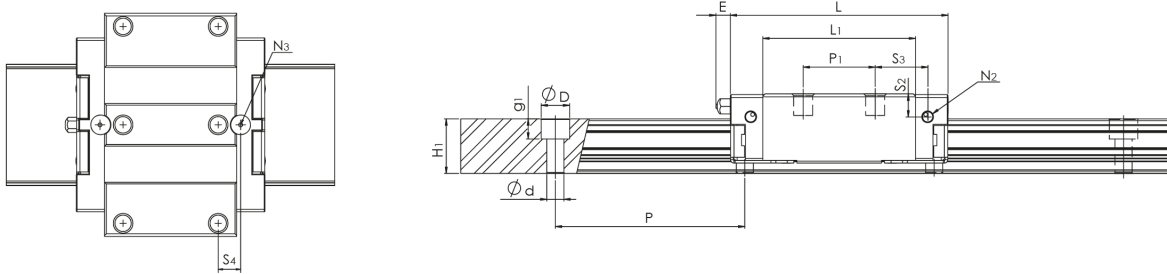


WRC27/20MN

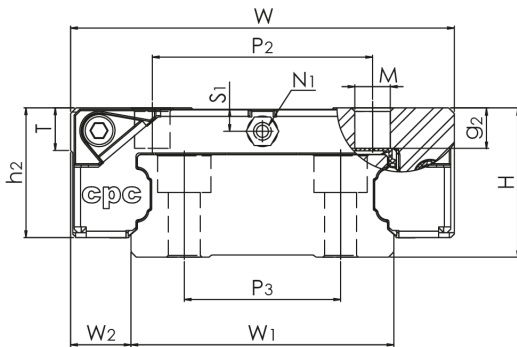


Designation	System Height (H)	System Width (W)	Block Length (L)	W2
WRC21/15MN	21	54	57.5	8.5
WRC27/20MN	27	62	70	10
WRC21/15MN...C	21	54	57.5	8.5
WRC27/20MN...C	27	62	70	10

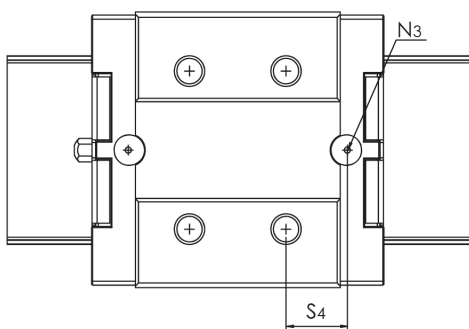
Mounting block hole



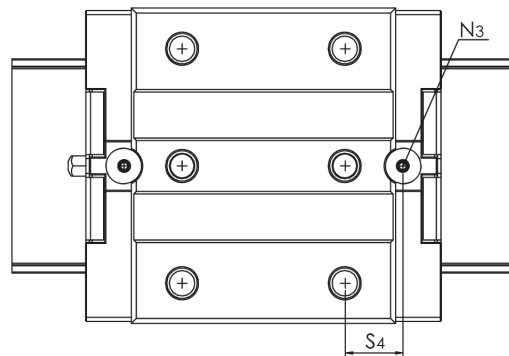
WRC MN



WRC21/15MN

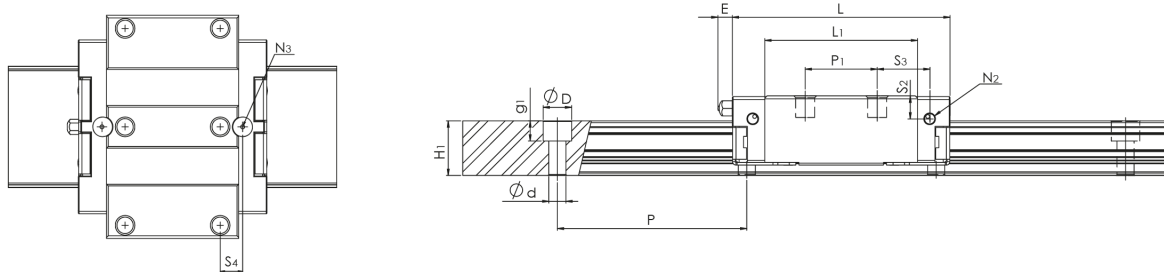


WRC27/20MN

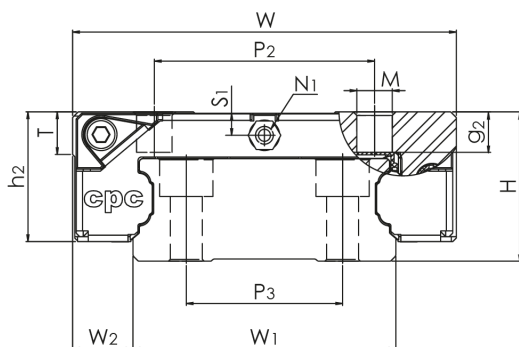


Designation	P2	P1	Mxg2	P4
WRC21/15MN	31	19	M5x5	-
WRC27/20MN	46	32	M6x6	50
WRC21/15MN...C	31	19	M5x5	-
WRC27/20MN...C	46	32	M6x6	50

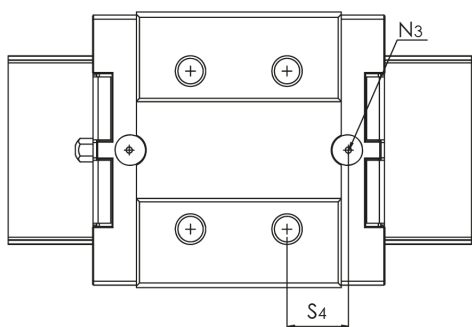
Rail size



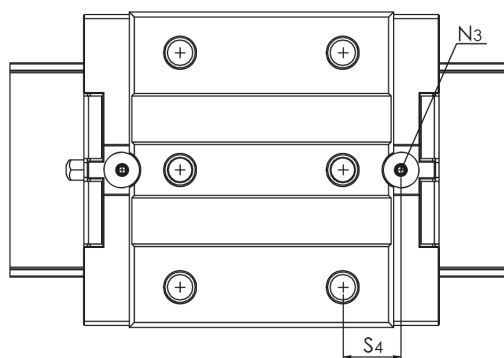
WRC MN



WRC21/15MN

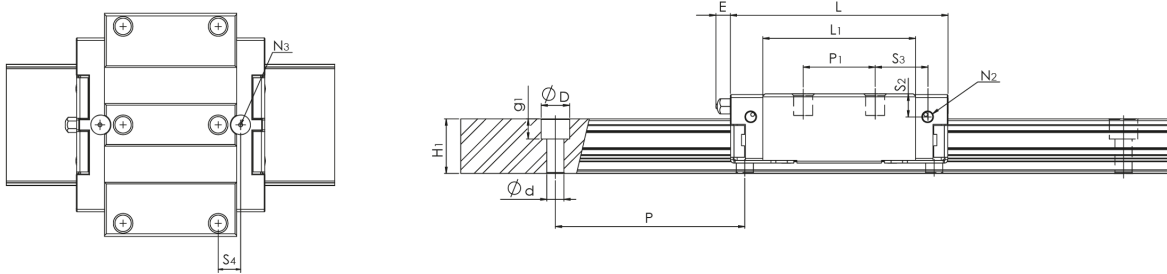


WRC27/20MN

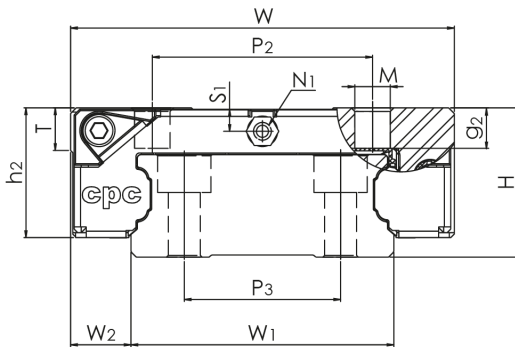


Designation	W1	H1	D x d x g1	Hole Pitch (P)
WRC21/15MN	37	14.4	7.5x4.5x5.3	50
WRC27/20MN	42	18.5	7.5x4.5x5.3	60
WRC21/15MN...C	37	14.4	7.5x4.5x5.3	50
WRC27/20MN...C	42	18.5	7.5x4.5x5.3	60

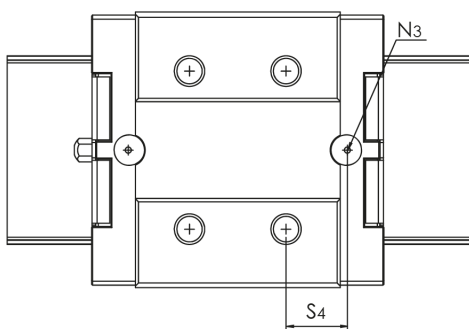
Block Dimensions



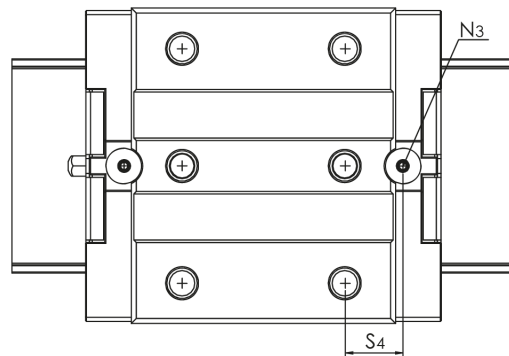
WRC MN



WRC21/15MN



WRC27/20MN



Designation	Block Length (L)	System Width (W)	L1	h2	W2
WRC21/15MN	57.5	54	40.3	18.3	8.5
WRC27/20MN	70	62	52	23.5	10
WRC21/15MN...C	57.5	54	40.3	18.3	8.5
WRC27/20MN...C	70	62	52	23.5	10

Block Dimensions

Designation	S1	E	S2	N3	N1	N2
WRC21/15MN	3.3	5.3	6.1	P3	M3	M3x3
WRC27/20MN	4.5	5.3	8	P4	M3	M3x4
WRC21/15MN...C	3.3	5.3	6.1	P3	M3	M3x3
WRC27/20MN...C	4.5	5.3	8	P4	M3	M3x4

Designation	Mxg2	S3	S4	T	H1	S5
WRC21/15MN	M5x5	13.9	11.9	6	14.4	-
WRC27/20MN	M6x6	13.2	11.5	10	18.5	11
WRC21/15MN...C	M5x5	13.9	11.9	6	14.4	-
WRC27/20MN...C	M6x6	13.2	11.5	10	18.5	11