

ERC ML

Slim, long block.

N2 = injecting holes

N2, N3 will be seal before shipment, open it when first using the product

N3 = O-ring size for lubrication from above

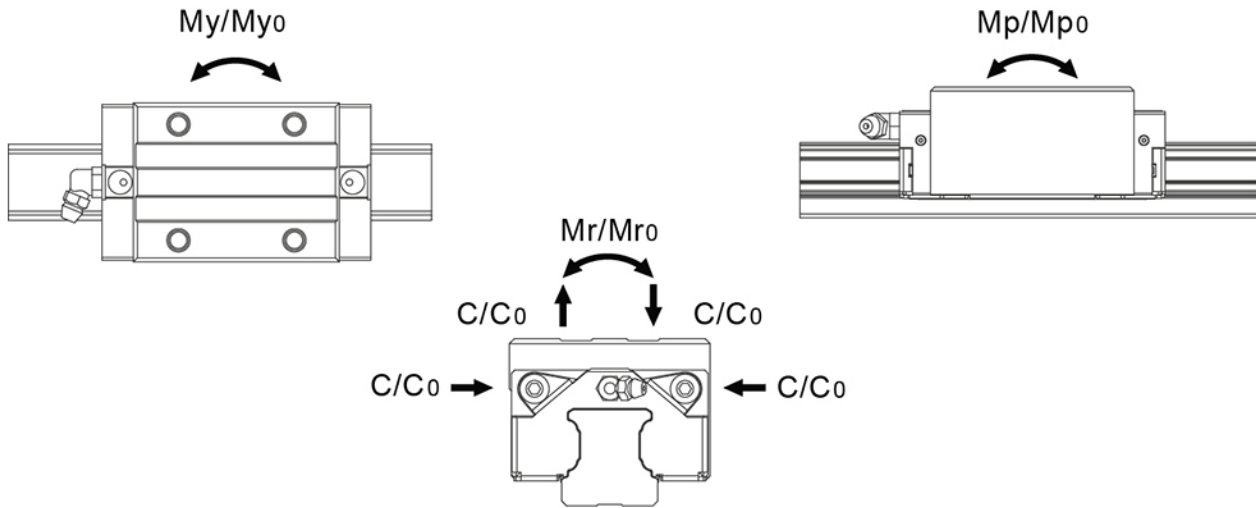
The rating load capacities and static moment are calculated according to ISO14728 standard. The rating life for basic dynamic load rating is defined as the total 100 km travel distance that 90% of a group of identical linear guides can be operated individually under the same conditions free from any material damage caused by rolling fatigue. When the standard of 50km travel distance is applied, the above basic dynamic load rating C of ISO 14728 should be multiplied by 1.26 for conversion.

Dimensions in mm.

Lead times in the table below are only indications. Choice of preload, accuracy class and other options will affect lead time. Please contact us for exact delivery time for your request.

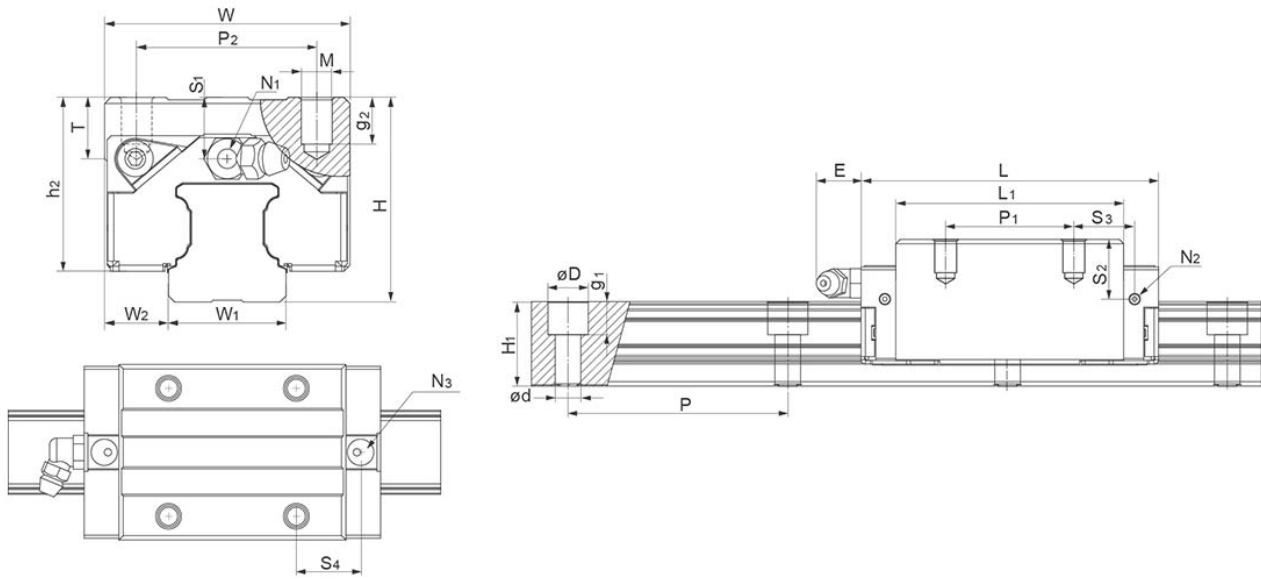


Load and Weight



Designation	Dynamic Load Capacity C (KN)	Static Load Capacity C0 (KN)	Static Moment Mr0 (Nm)	Static Moment Mp0 (Nm)	Static Moment My0 (Nm)
ERC25ML	30.7	57.7	735	710	710

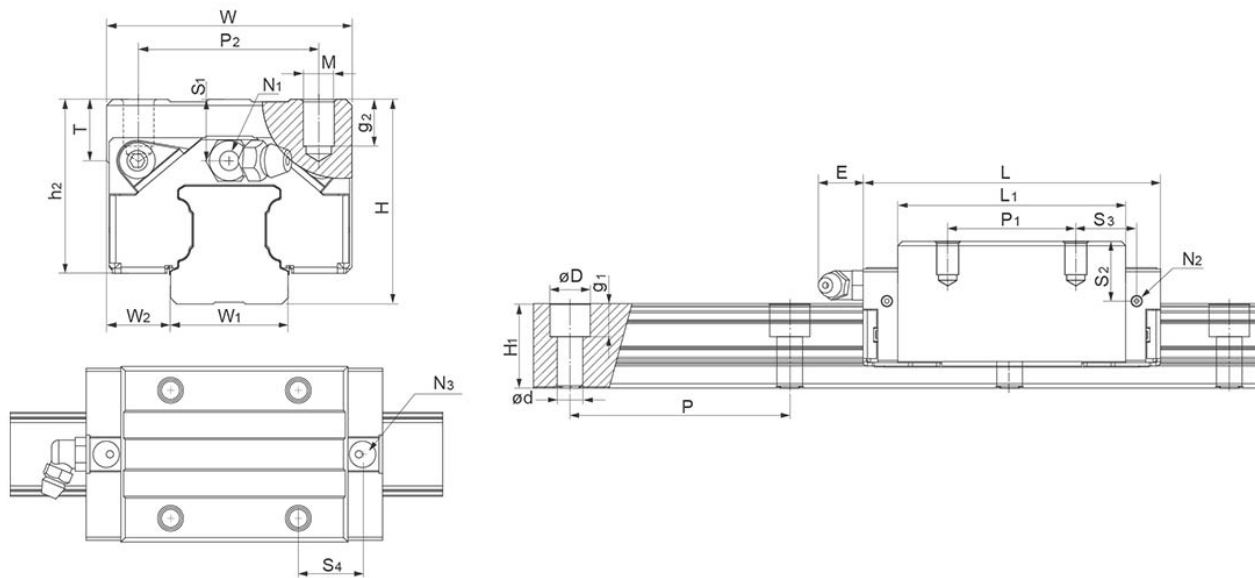
System Dimensions



* M1: Bolt size for bottom mounting type of block

Designation	System Height (H)	System Width (W)	Block Length (L)	W2
ERC25ML	36	48	105	12.5

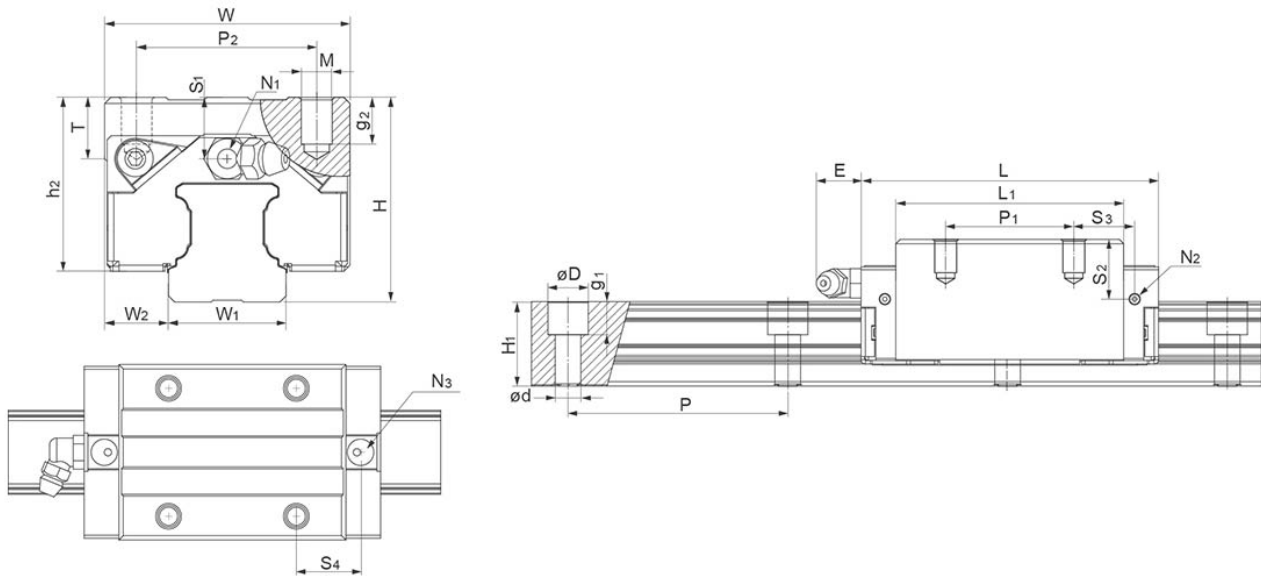
Mounting block hole



* M1: Bolt size for bottom mounting type of block

Designation	P2	P1	Mxg2	M1
ERC25ML	35	50	M6x9	-

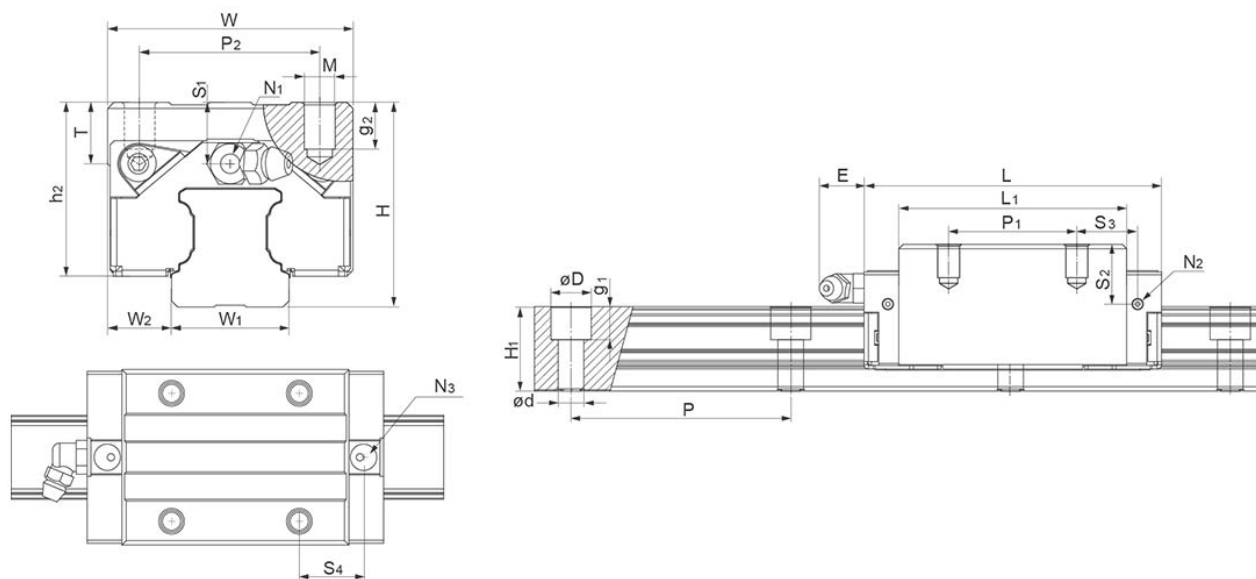
Rail size



* M1: Bolt size for bottom mounting type of block

Designation	W1	H1	D x d x g1	Hole Pitch (P)
ERC25ML	23	23	11x7x9	60

Block Dimensions



* M1: Bolt size for bottom mounting type of block

Designation	Block Length (L)	System Width (W)	L1	h2	W2
ERC25ML	105	48	86	30	12.5

Designation	S1	E	S2	N3	N1	N2
ERC25ML	8	12	12.3	P4	M6x7.5	M3x6.5

Designation	Mxg2	S3	S4	T	H1
ERC25ML	M6x9	21	22	8	23