

## ARC MS

Slim, super short block.

N2 = injecting holes

N2, N3 will be seal before shipment, open it when first using the product

N3 = O-ring size for lubrication from above

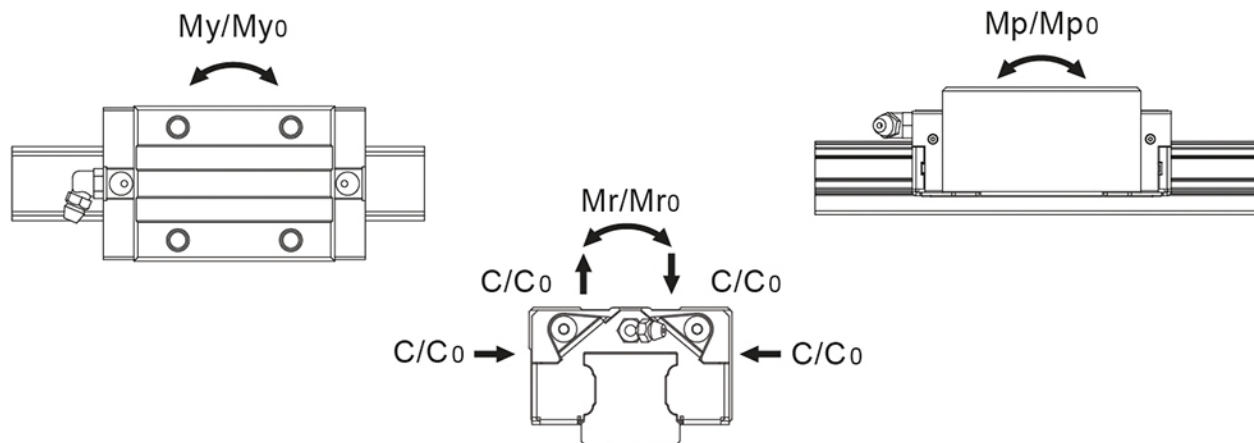
The rating load capacities and static moment are calculated according to ISO14728 standard. The rating life for basic dynamic load rating is defined as the total 100 km travel distance that 90% of a group of identical linear guides can be operated individually under the same conditions free from any material damage caused by rolling fatigue. When the standard of 50km travel distance is applied, the above basic dynamic load rating C of ISO 14728 should be multiplied by 1.26 for conversion.

Dimensions in mm.

Lead times in the table below are only indications. Choice of preload, accuracy class and other options will affect lead time. Please contact us for exact delivery time for your request.



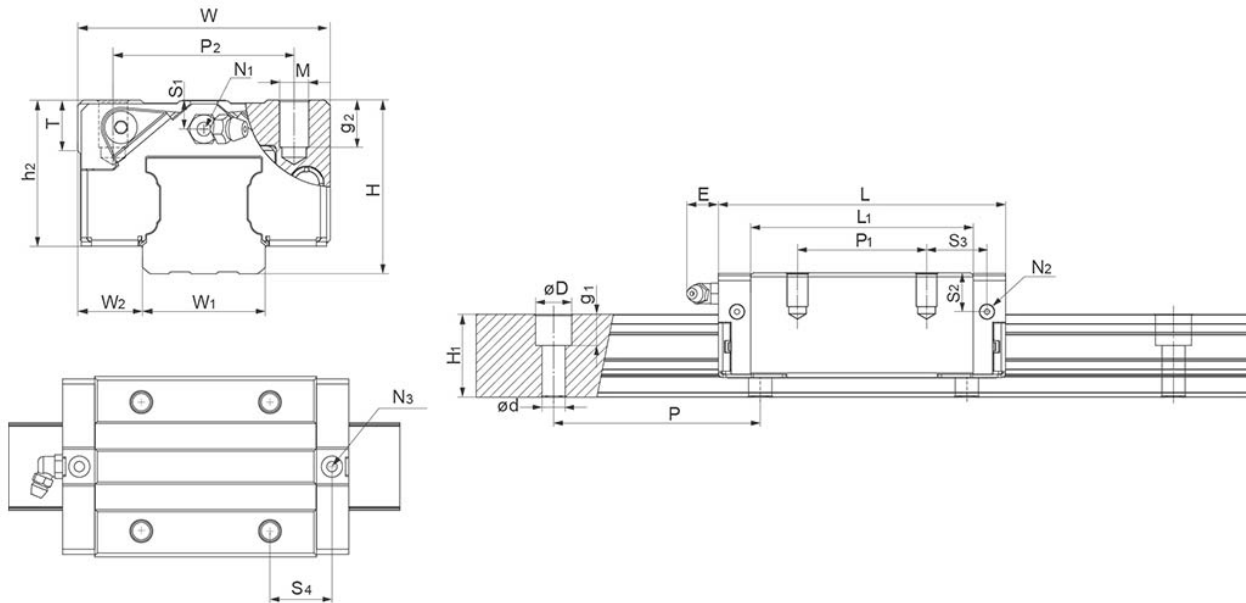
## Load and Weight



Designation	Dynamic Load Capacity C (KN)	Static Load Capacity C0 (KN)	Static Moment Mr0 (Nm)	Static Moment Mp0 (Nm)	Static Moment My0 (Nm)
ARC15MS	7.7	12.1	100	50	50
ARC20MS	12.5	19.3	205	100	100
ARC25MS	18.2	27.3	350	160	160
ARC30MS	23.3	33.1	520	230	230

Designation	Weight Block (g)
ARC15MS	106
ARC20MS	170
ARC25MS	300
ARC30MS	560

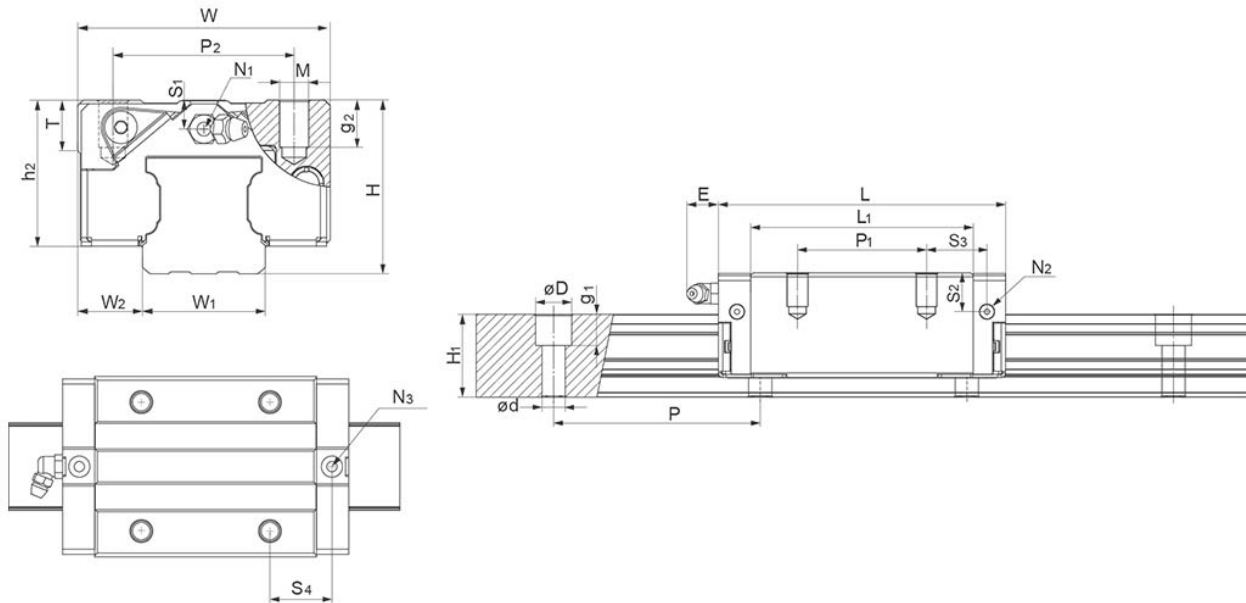
## System Dimensions



\* M1: Bolt size for bottom mounting type of block

Designation	System Height (H)	System Width (W)	Block Length (L)	W2
ARC15MS	24	34	41.2	9.5
ARC20MS	28	42	49.2	11
ARC25MS	33	48	57.4	12.5
ARC30MS	42	60	68	16

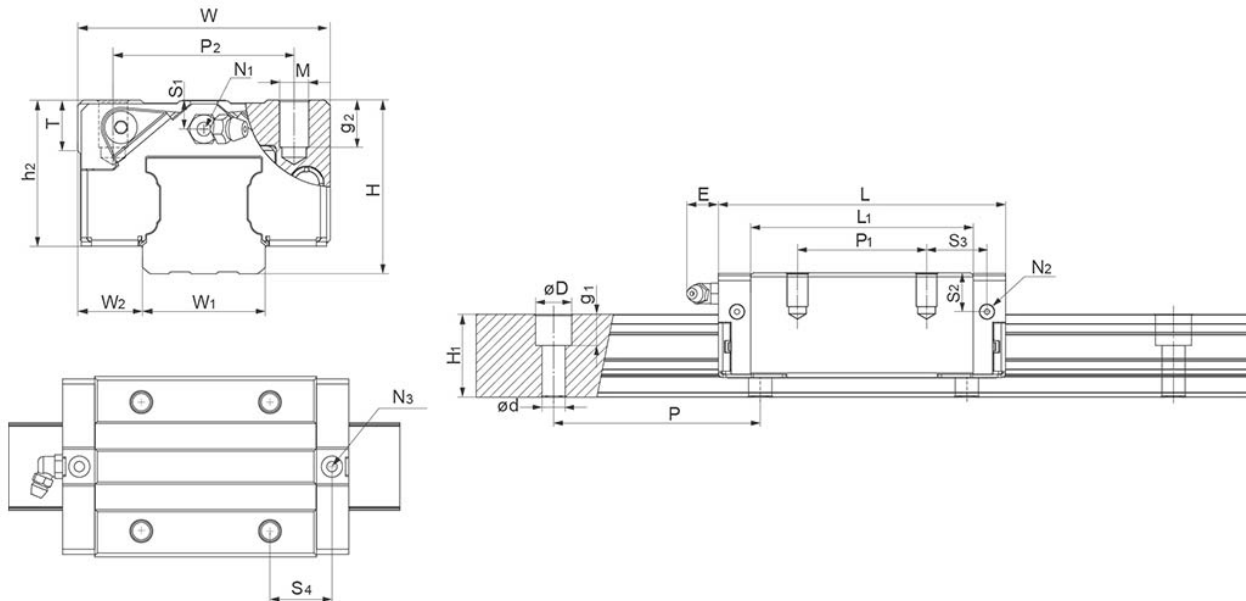
## Mounting block hole



\* M1: Bolt size for bottom mounting type of block

Designation	P2	P1	Mxg2	M1
ARC15MS	26	-	M4x7	-
ARC20MS	32	-	M5x7	-
ARC25MS	35	-	M6x9	-
ARC30MS	40	-	M8x10	-

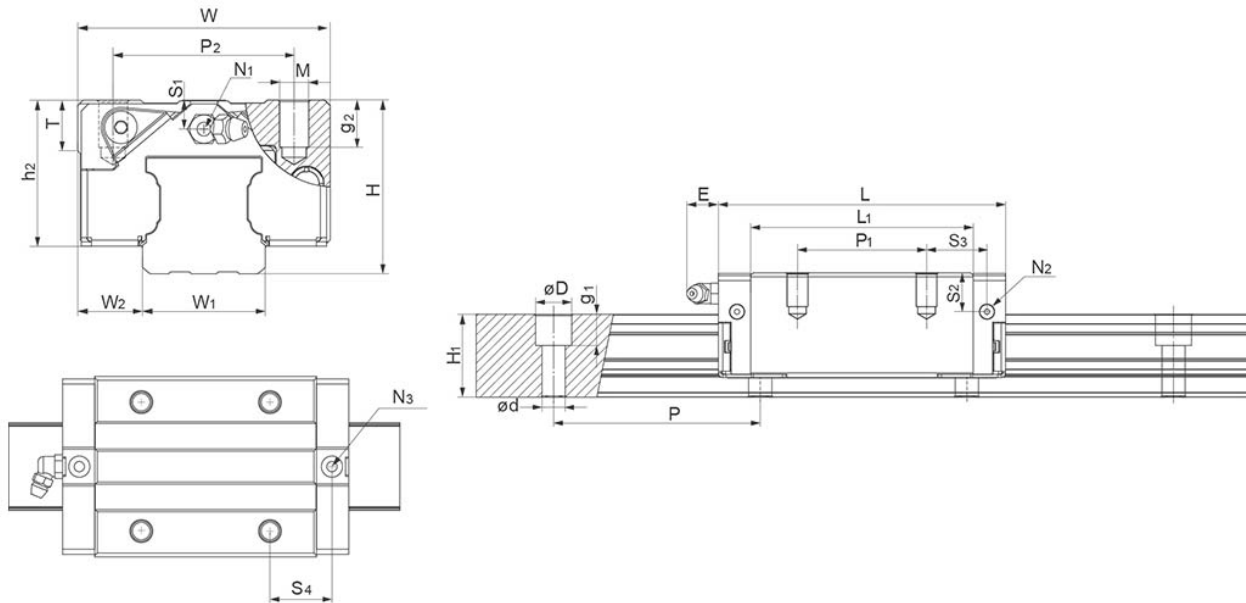
## Rail size



\* M1: Bolt size for bottom mounting type of block

Designation	W1	H1	D x d x g1	Hole Pitch (P)
ARC15MS	15	15	7.5x4.5x5.3	60
ARC20MS	20	20	9.5x6x8.5	60
ARC25MS	23	23	11x7x9	60
ARC30MS	28	27	14x9x12	80

## Block Dimensions



\* M1: Bolt size for bottom mounting type of block

Designation	Block Length (L)	System Width (W)	L1	h2	W2
ARC15MS	41.2	34	26	20.7	9.5
ARC20MS	49.2	42	32.2	23	11
ARC25MS	57.4	48	38.4	27	12.5
ARC30MS	68	60	44	35.2	16

Designation	S1	E	S2	N3	N1	N2
ARC15MS	4.5	3.5	7.5	P3	M3x6.5	M3x6
ARC20MS	4	10	7.4	P4	M3x7.5	M3x5.5
ARC25MS	5	12	9.3	P4	M6x7.5	M3x6.5
ARC30MS	7.5	12	12	P5	M6x8.5	M6x5

Designation	Mxg2	S3	S4	T	H1
ARC15MS	M4x7	15.6	16.7	6	15
ARC20MS	M5x7	19.1	19.8	8	20
ARC25MS	M6x9	22.2	23.2	8	23
ARC30MS	M8x10	27	26.7	12	27