

Table of contents

- HRC FN
- HRC FL
- HRC MN
- HRC ML
- ARC FN
- ARC FS
- ARC MN
- ARC ML
- ARC MS
- ERC MN
- ERC ML
- HRC Rail
- HRU Rail
- NBR Seal / Metal Scraper
- HK Clamping Element
- Adapter Plate for HK Clamping Element
- MK Clamping Element
- MKS Clamping Element
- Adapter Plate for MK & MKS Clamping Elements
- Plastic Hole Cap
- Metal-Plastic Hole Cap
- RA Grease
- Main body of Grease Gun
- Lubrication kit GP-PT1/8-01
- Standard grease nipple
- Optional straight adapter
- Optional L-type adapter

HRC FN

Flanged type block, standard length and standard height, with or without ball chain. HRC55FN is without ball chain.

For high load applications or any application where severe chock-loads may occur, the standard version offers better safety margins by its higher static limit (C0). For light to medium loads where a very long lifetime is required, the ball-cage will show superior life span and reliability.

Please note that ball chain versions must never be used for linear speeds exceeding 3 m/s!

Size 15 delivered with straight standard nipple.
Size 20 – 55 delivered with angled standard nipple.

Lubrications injections ports on the block:

N1: Front of the block. All blocks are delivered with front mounted standard grease nipple.

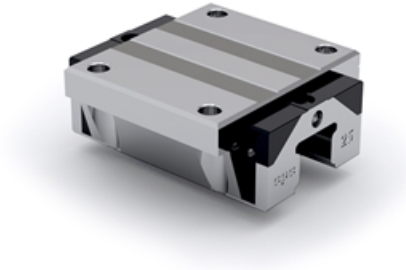
N2: Side of the block. The side lubrication injection port is sealed on delivery to prevent leakage of lubrication.

N3: Top of the block with an O-ring seal. The top lubrication injection port is sealed on delivery to prevent leakage of lubrication.

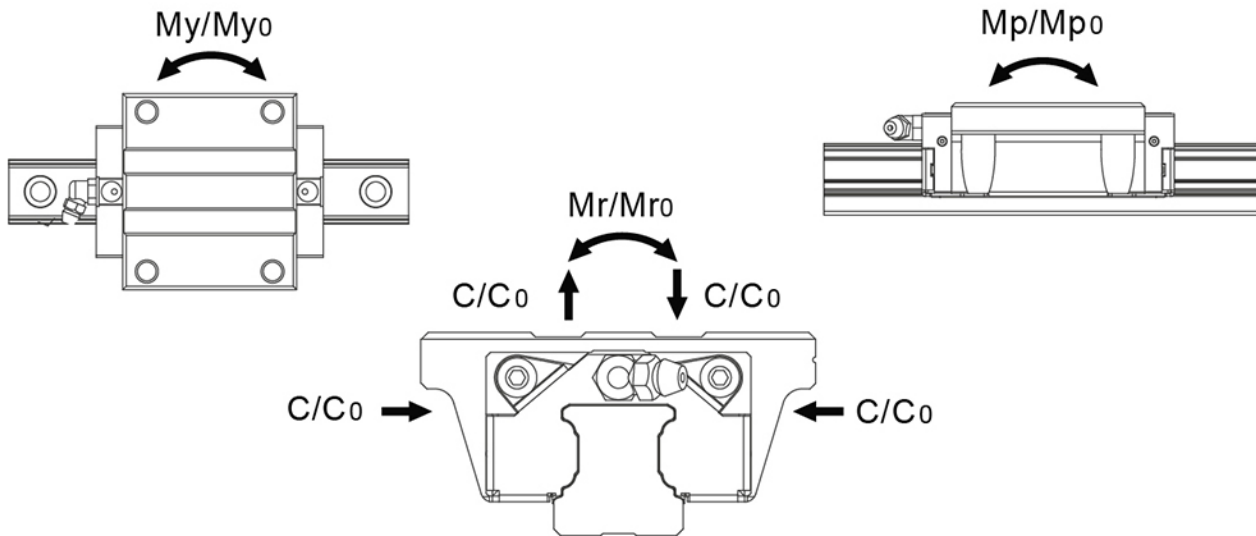
Dimensions in mm.

Lead times in the table below are only indications. Choice of preload, accuracy class and other options will affect lead time. Please contact us for exact delivery time for your request.

For more information about calculation of life, load rating and static moment see Technical information.



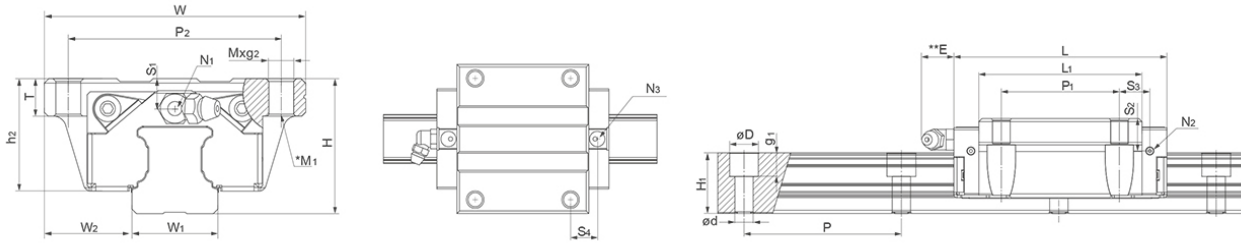
General Data



Designation	Remark	Dynamic Load Capacity C (N)	Static Load Capacity C0 (N)	Static Moment Mp0 (Nm)	Static Moment Mr0 (Nm)
HRC15FN	-	9900	17500	105	140
HRC20FN	-	17100	30000	230	325
HRC25FN	-	24800	42500	385	540
HRC30FN	-	32800	53700	565	845
HRC35FN	-	45900	82900	1080	1700
HRC45FN	-	71300	122100	1910	3200
HRC55FN	No ball chain	128000	186000	3278	4949

Designation	Static Moment My0 (Nm)	Dynamic Moment Mr (Nm)	Dynamic Moment Mp (Nm)	Dynamic Moment My (Nm)	Weight Block (g)
HRC15FN	105	79	59	59	200
HRC20FN	230	185	131	131	318
HRC25FN	385	315	225	225	578
HRC30FN	565	516	345	345	896
HRC35FN	1080	941	598	598	1430
HRC45FN	1910	1869	1115	1115	2794
HRC55FN	3278	3406	2256	2256	5440

Dimensions



*M1: Bolt size for bottom mounting type of block
 **E: Size 15 delivered with straight standard nipple.
 Size 20 – 55 delivered with angled standard nipple.

Designation	L	H	W	L1	H1	h2	W1	W2	S1
HRC15FN	55.5	24	47	40.3	15	20.7	15	16	8.5
HRC20FN	69	30	63	52	20	25	20	21.5	6
HRC25FN	81.2	36	70	62.2	23	30	23	23.5	12
HRC30FN	95.5	42	90	71.5	27	35.2	28	31	10.5
HRC35FN	111.2	48	100	86.2	32	40.4	34	33	15
HRC45FN	135.5	60	120	102.5	39	50.7	45	37.5	21.1
HRC55FN	168.5	70	140	126.5	45.7	58	53	43.5	13.5

Designation	S2	S3	S4	E	T	N1	N2	N3	M x g2	M1
HRC15FN	11.5	9.8	10.9	5.3	7	M3x6.5	M3x6	P3	M5x7	M4
HRC20FN	9.4	11	11.7	10	10	M3x7.5	M3x5.5	P4	M6x10	M5
HRC25FN	16.3	16.6	17.6	12	12	M6x7.5	M3x6.5	P4	M8x12	M6
HRC30FN	15	20.8	20.5	12	16	M6x8.5	M6x5	P5	M10x15	M8
HRC35FN	22	23.4	24.1	12	16	M6x10	M6x7	P5	M10x15	M8
HRC45FN	28.1	27.3	27.3	14	19	PTI/8x12.5	M6x10.5	P5	M12x18	M10
HRC55FN	23.5	24.8	23.8	12	18	M6x10	M6x13	P5	M14x18	M12

Designation	D x d x g1	P1	P2	Hole Pitch (P)
HRC15FN	7.5 x 4.5 x 5.3	30	38	60
HRC20FN	9.5 x 6 x 8.5	40	53	60
HRC25FN	11 x 7 x 9	45	57	60
HRC30FN	14 x 9 x 12	52	72	80
HRC35FN	14 x 9 x 12	62	82	80
HRC45FN	20 x 14 x 17	80	100	105
HRC55FN	24 x 16 x 20	95	116	120

HRC FL

Long flanged type block with standard height, with or without ball chain. HRC55FL is without ball chain.

For high load applications or any application where severe chock-loads may occur, the standard version offers better safety margins by its higher static limit (C0). For light to medium loads where a very long lifetime is required, the ball-cage will show superior life span and reliability.

Please note that ball chain versions must never be used for linear speeds exceeding 3 m/s!

Size 20 – 55 delivered with angled standard nipple.

Lubrications injections ports on the block:

N1: Front of the block. All blocks are delivered with front mounted standard grease nipple.

N2: Side of the block. The side lubrication injection port is sealed on delivery to prevent leakage of lubrication.

N3: Top of the block with an O-ring seal. The top lubrication injection port is sealed on delivery to prevent leakage of lubrication.

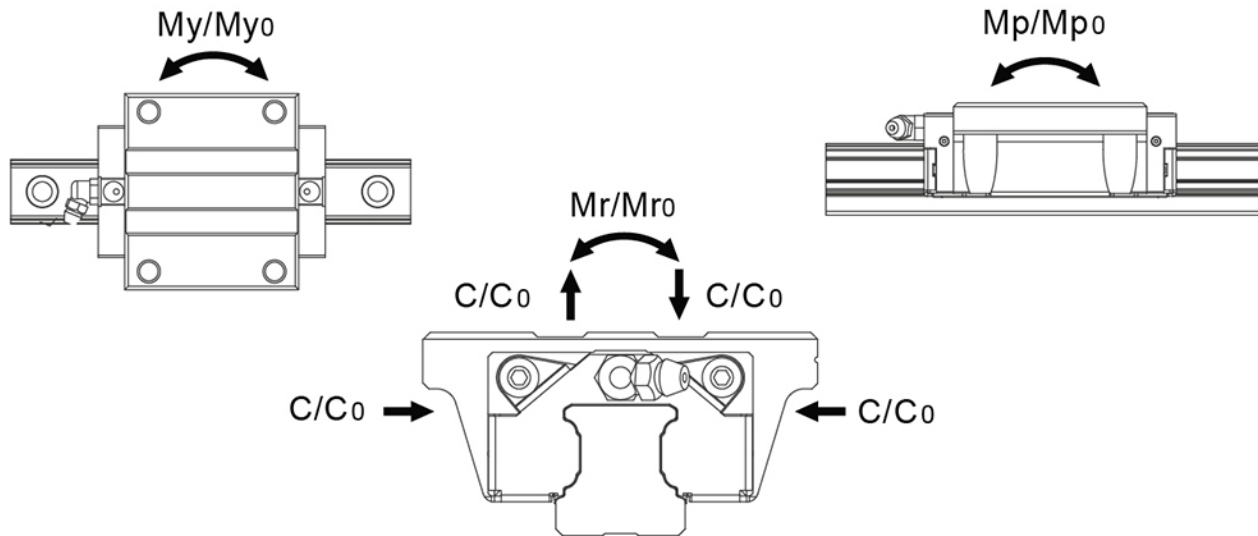
Dimensions in mm.

Lead times in the table below are only indications. Choice of preload, accuracy class and other options will affect lead time. Please contact us for exact delivery time for your request.

For more information about calculation of life, load rating and static moment see Technical information.



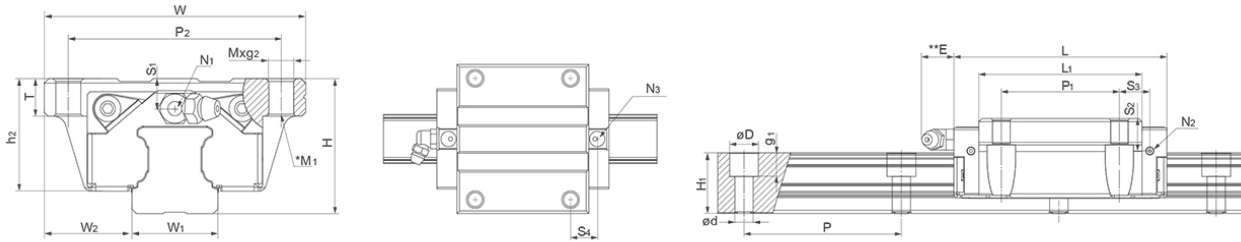
General Data



Designation	Remark	Dynamic Load Capacity C (N)	Static Load Capacity C0 (N)	Static Moment Mp0 (Nm)	Static Moment Mr0 (Nm)
HRC20FL	-	20400	38500	390	415
HRC25FL	-	30700	57700	710	735
HRC30FL	-	39600	70200	950	1105
HRC35FL	-	54700	106500	1755	2185
HRC45FL	-	89500	169100	3460	4430
HRC55FL	No ball chain	147000	226000	5284	6472

Designation	Static Moment My0 (Nm)	Dynamic Moment Mr (Nm)	Dynamic Moment Mp (Nm)	Dynamic Moment My (Nm)	Weight Block (g)
HRC20FL	390	220	207	207	504
HRC25FL	710	391	378	378	870
HRC30FL	950	623	536	536	1385
HRC35FL	1755	1122	901	901	2000
HRC45FL	3460	2345	1831	1831	4280
HRC55FL	5284	4210	3437	3437	6963

Dimensions



*M1: Bolt size for bottom mounting type of block
 **E: Size 15 delivered with straight standard nipple.
 Size 20 – 55 delivered with angled standard nipple.

Designation	L	H	W	L1	H1	h2	W1	W2	S1
HRC20FL	87.2	30	63	70.2	20	25	20	21.5	6
HRC25FL	105	36	70	86	23	30	23	23.5	8
HRC30FL	118	42	90	94	27	35.2	28	31	8
HRC35FL	136.6	48	100	111.6	32	40.4	34	33	7.5
HRC45FL	171.5	60	120	138.5	39	50.7	45	37.5	11.1
HRC55FL	202	70	140	160	45.7	58	53	43.5	13.5

Designation	S2	S3	S4	E	T	N1	N2	N3	M x g2	M1
HRC20FL	9.4	18.1	18.8	10	10	M3x7.5	M3x5.5	P4	M6x10	M5
HRC25FL	12.3	23.5	24.5	12	16	M6x7.5	M3x6.5	P4	M8x12	M6
HRC30FL	12	25.7	25.8	12	12	M6x8.5	M6x5	P5	M10x15	M8
HRC35FL	15	30.1	30.8	12	16	M6x10	M6x7	P5	M10x15	M8
HRC45FL	18.1	35	35	14	19	PTI/8x12.5	M6x10.5	P5	M12x18	M10
HRC55FL	23.5	41.5	40.5	12	18	M6x10	M6x13	P5	M14x18	M12

Designation	D x d x g1	P1	P2	Hole Pitch (P)
HRC20FL	9.5 x 6 x 8.5	40	53	60
HRC25FL	11 x 7 x 9	45	57	60
HRC30FL	14 x 9 x 12	52	72	80
HRC35FL	14 x 9 x 12	62	82	80
HRC45FL	20 x 14 x 17	80	100	105
HRC55FL	24 x 16 x 20	95	116	120

HRC MN

Slim block with standard length and standard height, with or without ball chain. HRC55MN is only available without ball chain.

For high load applications or any application where severe chock-loads may occur, the standard version offers better safety margins by its higher static limit (C0). For light to medium loads where a very long lifetime is required, the ball-cage will show superior life span and reliability.

Please note that ball chain versions must never be used for linear speeds exceeding 3 m/s!

Size 15 delivered with straight standard nipple.
Size 20 – 55 delivered with angled standard nipple.

Lubrications injections ports on the block:

N1: Front of the block. All blocks are delivered with front mounted standard grease nipple.

N2: Side of the block. The side lubrication injection port is sealed on delivery to prevent leakage of lubrication.

N3: Top of the block with an O-ring seal. The top lubrication injection port is sealed on delivery to prevent leakage of lubrication.

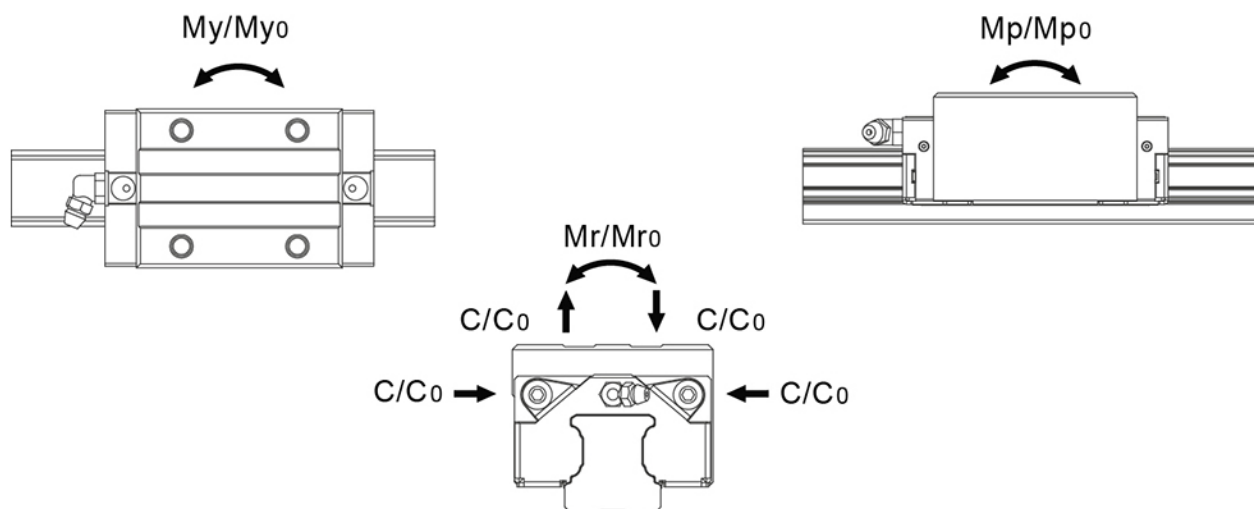
Dimensions in mm.

Lead times in the table below are only indications. Choice of preload, accuracy class and other options will affect lead time. Please contact us for exact delivery time for your request.

For more information about calculation of life, load rating and static moment see Technical information.



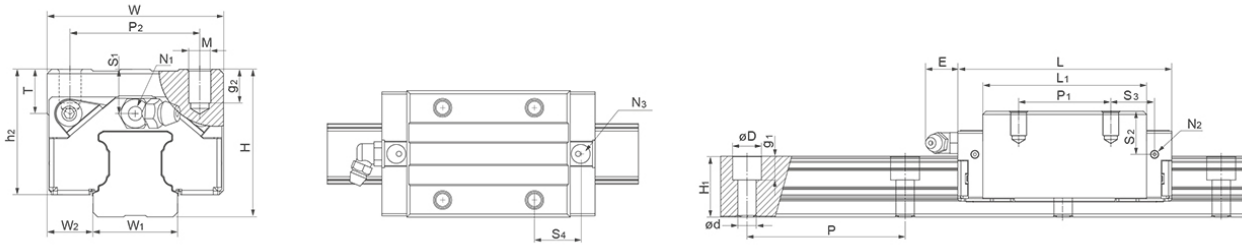
General Data



Designation	Remark	Dynamic Load Capacity C (N)	Static Load Capacity C0 (N)	Static Moment Mp0 (Nm)	Static Moment Mr0 (Nm)
HRC15MN	-	9900	17500	105	140
HRC20MN	-	17100	30000	230	325
HRC25MN	-	24800	42500	385	540
HRC30MN	-	32800	53700	565	845
HRC35MN	-	45900	82900	1080	1700
HRC45MN	-	71300	122100	1910	3200
HRC55MN	No ball chain	128000	186000	3278	4949

Designation	Static Moment My0 (Nm)	Dynamic Moment Mr (Nm)	Dynamic Moment Mp (Nm)	Dynamic Moment My (Nm)	Weight Block (g)
HRC15MN	105	79	59	59	200
HRC20MN	230	185	131	131	318
HRC25MN	385	315	225	225	578
HRC30MN	565	516	345	345	896
HRC35MN	1080	941	598	598	1430
HRC45MN	1910	1869	1115	1115	2794
HRC55MN	3278	3406	2256	2256	5110

Dimensions



**E: Size 15 delivered with straight standard nipple.
Size 20 – 55 delivered with angled standard nipple.

Designation	L	H	W	L1	H1	h2	W1	W2	S1
HRC15MN	55.5	28	34	40.3	15	24.7	15	9.5	8.5
HRC20MN	69	30	44	52	20	25	20	12	6
HRC25MN	81.2	40	48	62.2	23	34	23	12.5	12
HRC30MN	95.5	45	60	71.5	27	38.4	28	16	10.5
HRC35MN	111.2	55	70	86.2	32	47.4	34	18	15
HRC45MN	135.5	70	86	102.5	39	60.7	45	20.5	21.1
HRC55MN	168.5	80	100	126.5	45.7	68	53	23.5	23.5

Designation	S2	S3	S4	E	T	N1	N2	N3	M x g2	D x d x g1
HRC15MN	11.5	9.8	10.9	5.3	6	M3x6.5	M3x6	P3	M4x7	7.5 x 4.5 x 5.3
HRC20MN	9.4	11	11.7	10	8	M3x7.5	M3x5.5	P4	M5x8.5	9.5 x 6 x 8.5
HRC25MN	16.3	16.6	17.6	12	12	M6x7.5	M3x6.5	P4	M6x9	11 x 7 x 9
HRC30MN	15	20.8	20.5	12	12	M6x8.5	M6x5	P5	M8x12	14 x 9 x 12
HRC35MN	22	23.4	24.1	12	14	M6x10	M6x7	P5	M8x13	14 x 9 x 12
HRC45MN	28.1	27.3	27.3	14	14	PT1/8x12.5	M6x10.5	P5	M10x20	20 x 14 x 17
HRC55MN	33.5	34.8	33.8	12	16	M6x10	M6x13	P5	M12x25	24 x 16 x 20

Designation	P1	P2	Hole Pitch (P)
HRC15MN	26	26	60
HRC20MN	36	32	60
HRC25MN	35	35	60
HRC30MN	40	40	80
HRC35MN	50	50	80
HRC45MN	60	60	105
HRC55MN	75	75	120

HRC ML

Slim, long block with standard height, with or without ball chain. HRC55ML is without ball chain.

For high load applications or any application where severe chock-loads may occur, the standard version offers better safety margins by its higher static limit (C0). For light to medium loads where a very long lifetime is required, the ball-cage will show superior life span and reliability.

Please note that ball chain versions must never be used for linear speeds exceeding 3 m/s!

Size 20 – 55 delivered with angled standard nipple.

Lubrications injections ports on the block:

N1: Front of the block. All blocks are delivered with front mounted standard grease nipple.

N2: Side of the block. The side lubrication injection port is sealed on delivery to prevent leakage of lubrication.

N3: Top of the block with an O-ring seal. The top lubrication injection port is sealed on delivery to prevent leakage of lubrication.

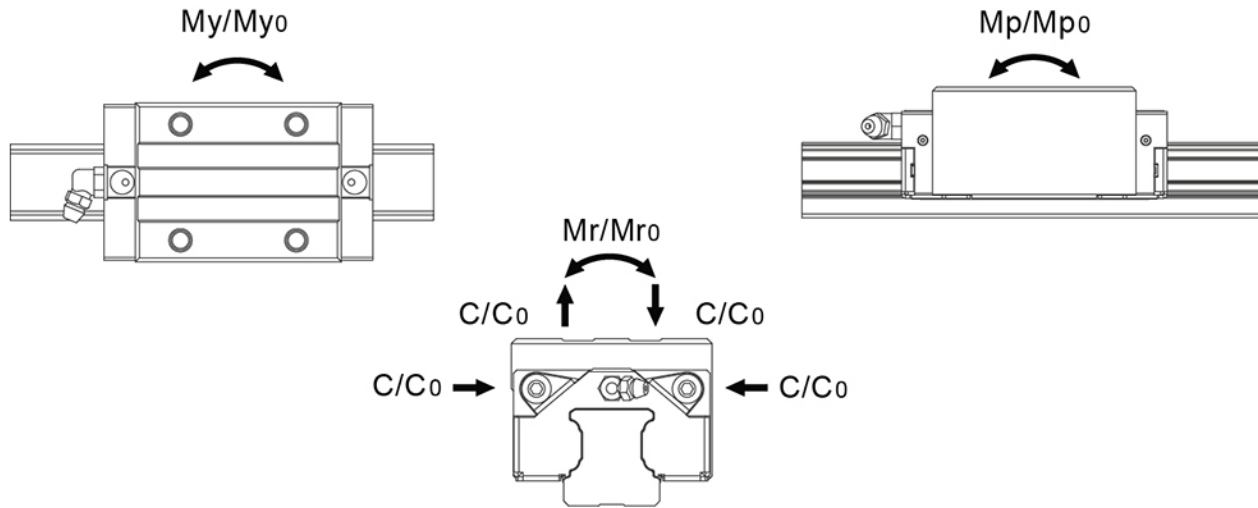
Dimensions in mm.

Lead times in the table below are only indications. Choice of preload, accuracy class and other options will affect lead time. Please contact us for exact delivery time for your request.

For more information about calculation of life, load rating and static moment see Technical information.



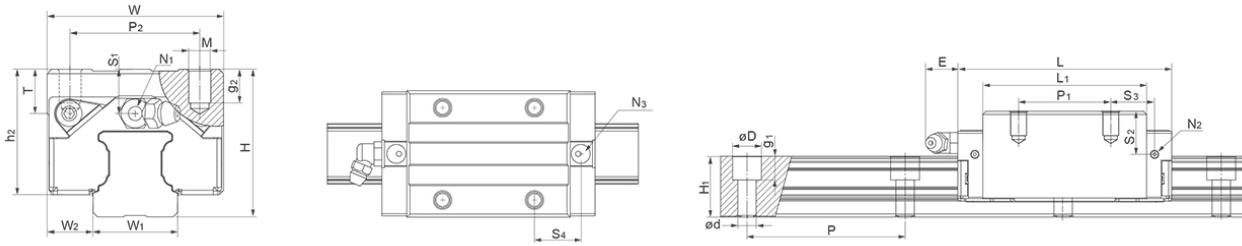
General Data



Designation	Remark	Dynamic Load Capacity C (N)	Static Load Capacity C0 (N)	Static Moment Mp0 (Nm)	Static Moment Mr0 (Nm)
HRC20ML	-	20400	38500	390	415
HRC25ML	-	30700	57700	710	735
HRC30ML	-	39600	70200	950	1105
HRC35ML	-	54700	106500	1755	2185
HRC45ML	-	89500	169100	3460	4430
HRC55ML	No ball chain	147000	226000	5284	6472

Designation	Static Moment My0 (Nm)	Dynamic Moment Mr (Nm)	Dynamic Moment Mp (Nm)	Dynamic Moment My (Nm)	Weight Block (g)
HRC20ML	390	220	207	207	400
HRC25ML	710	391	378	378	685
HRC30ML	950	623	536	536	1150
HRC35ML	1755	1122	901	901	1953
HRC45ML	3460	2345	1831	1831	4060
HRC55ML	5284	4210	3437	3437	6243

Dimensions



**E: Size 15 delivered with straight standard nipple.
Size 20 – 55 delivered with angled standard nipple.

Designation	L	H	W	L1	H1	h2	W1	W2	S1
HRC20ML	87.2	30	44	70.2	20	25	20	12	6
HRC25ML	105	40	48	86	23	34	23	12.5	12
HRC30ML	118	45	60	94	27	38.4	28	16	10.5
HRC35ML	136.6	55	70	111.6	32	47.4	34	18	15
HRC45ML	171.5	70	86	138.5	39	60.7	45	20.5	21.1
HRC55ML	202	80	100	160	45.7	68	53	23.5	23.5

Designation	S2	S3	S4	E	T	N1	N2	N3	M x g2	D x d x g1
HRC20ML	9.4	13.1	13.8	10	8	M3x7.5	M3x5.5	P4	M5x8.5	9.5 x 6 x 8.5
HRC25ML	16.3	21	22	12	12	M6x7.5	M3x6.5	P4	M6x9	11 x 7 x 9
HRC30ML	15	21.7	21.8	12	12	M6x8.5	M6x5	P5	M8x12	14 x 9 x 12
HRC35ML	22	25.1	25.8	12	14	M6x10	M6x7	P5	M8x13	14 x 9 x 12
HRC45ML	28.1	35	35	14	14	PTI/8x12.5	M6x10.5	P5	M10x20	20 x 14 x 17
HRC55ML	33.5	41.5	40.5	12	16	M6x10	M6x13	P5	M12x25	24 x 16 x 20

Designation	P1	P2	Hole Pitch (P)
HRC20ML	50	32	60
HRC25ML	50	35	60
HRC30ML	60	40	80
HRC35ML	72	50	80
HRC45ML	80	60	105
HRC55ML	95	75	120

ARC FN

Flanged type block, standard length and low height, with or without ball chain. Use together with HRC/HRU rail.

For high load applications or any application where severe chock-loads may occur, the standard version offers better safety margins by its higher static limit (C0). For light to medium loads where a very long lifetime is required, the ball-cage will show superior life span and reliability.

Please note that ball chain versions must never be used for linear speeds exceeding 3 m/s!

Size 15 delivered with straight standard nipple.
Size 20 – 35 delivered with angled standard nipple.

Lubrications injections ports on the block:

N1: Front of the block. All blocks are delivered with front mounted standard grease nipple.

N2: Side of the block. The side lubrication injection port is sealed on delivery to prevent leakage of lubrication.

N3: Top of the block with an O-ring seal. The top lubrication injection port is sealed on delivery to prevent leakage of lubrication.

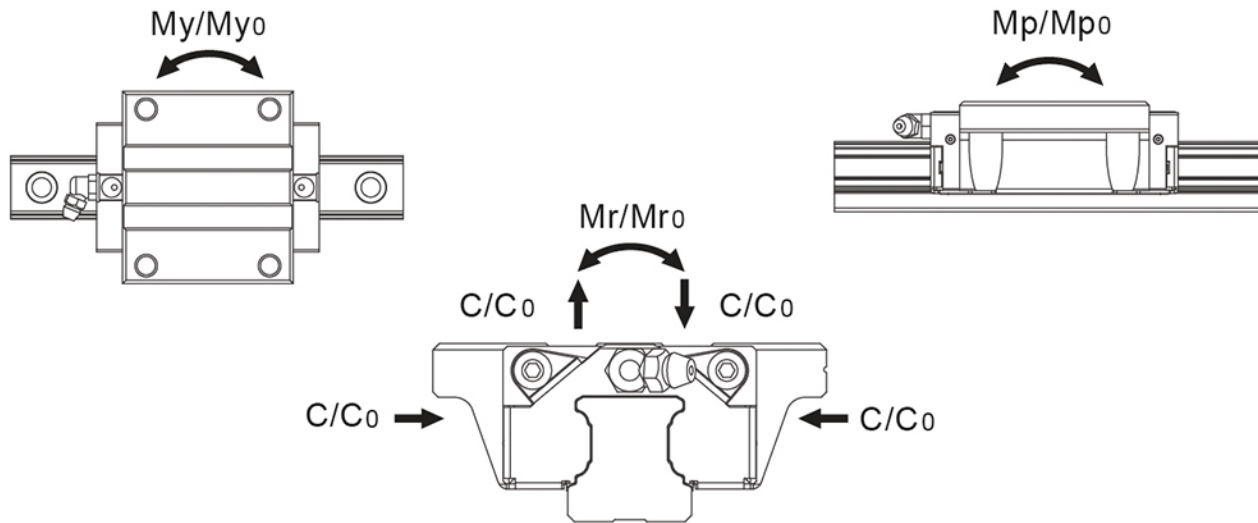
Dimensions in mm.

Lead times in the table below are only indications. Choice of preload, accuracy class and other options will affect lead time. Please contact us for exact delivery time for your request.

For more information about calculation of life, load rating and static moment see Technical information.



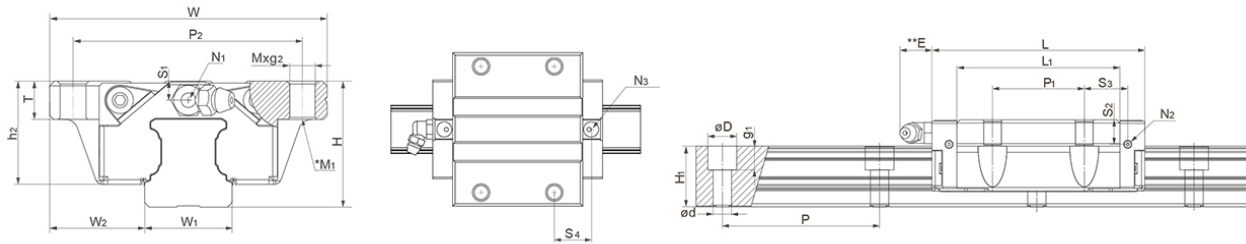
General Data



Designation	Dynamic Load Capacity C (N)	Static Load Capacity C0 (N)	Static Moment Mp0 (Nm)	Static Moment Mr0 (Nm)	Static Moment My0 (Nm)
ARC15FN	9900	17500	105	140	105
ARC20FN	17100	30000	230	325	230
ARC25FN	24800	42500	385	540	385
ARC30FN	32800	53700	565	845	565
ARC35FN	45900	82900	1080	1700	1080

Designation	Dynamic Moment Mr (Nm)	Dynamic Moment Mp (Nm)	Dynamic Moment My (Nm)	Weight Block (g)
ARC15FN	79	59	59	200
ARC20FN	185	131	131	336
ARC25FN	315	225	225	524
ARC30FN	516	345	345	1200
ARC35FN	941	598	598	1580

Dimensions



*M1: Bolt size for bottom mounting type of block
 **E: Size 15 delivered with straight standard nipple.
 Size 20 – 55 delivered with angled standard nipple.

Designation	L	H	W	L1	H1	h2	W1	W2	S1
ARC15FN	55.5	24	52	40.3	15	20.7	15	18.5	4.5
ARC20FN	69	28	59	52	20	23	20	19.5	4
ARC25FN	81.2	33	73	62.5	23	27	23	25	5
ARC30FN	95.5	42	90	71.5	27	35.2	28	31	7.5
ARC35FN	111.2	48	100	86.2	32	40.4	34	33	8

Designation	S2	S3	S4	E	T	N1	N2	N3	M x g2	M1
ARC15FN	7.5	8.9	10.9	5.3	7	M3x6.5	M3x6	P3	M5x7	M4
ARC20FN	7.4	13	13.7	10	10	M3x7.5	M3x5.5	P4	M6x10	M5
ARC25FN	9.3	16.6	17.6	12	12	M6x7.5	M3x6.5	P4	M8x12	M6
ARC30FN	12	20.8	20.5	12	15	M6x8.5	M6x5	P5	M10x15	M8
ARC35FN	15	23.4	24.1	12	15	M6x10	M6x7	P5	M10x15	M8

Designation	D x d x g1	P1	P2	Hole Pitch (P)
ARC15FN	7.5 x 4.5 x 5.3	26	41	60
ARC20FN	9.5 x 6 x 8.5	32	49	60
ARC25FN	11 x 7 x 9	35	60	60
ARC30FN	14 x 9 x 12	40	72	80
ARC35FN	14 x 9 x 12	50	82	80

ARC FS

Flanged type, super short block with low height, with and without ball chain. Use together with HRC/HRU rail.

For high load applications or any application where severe chock-loads may occur, the standard version offers better safety margins by its higher static limit (C0). For light to medium loads where a very long lifetime is required, the ball-cage will show superior life span and reliability.

Please note that ball chain versions must never be used for linear speeds exceeding 3 m/s!

Size 15 delivered with straight standard nipple.
Size 20 – 30 delivered with angled standard nipple.

Lubrications injections ports on the block:

N1: Front of the block. All blocks are delivered with front mounted standard grease nipple.

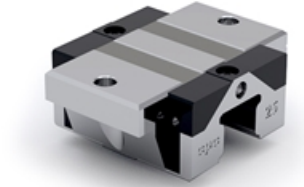
N2: Side of the block. The side lubrication injection port is sealed on delivery to prevent leakage of lubrication.

N3: Top of the block with an O-ring seal. The top lubrication injection port is sealed on delivery to prevent leakage of lubrication.

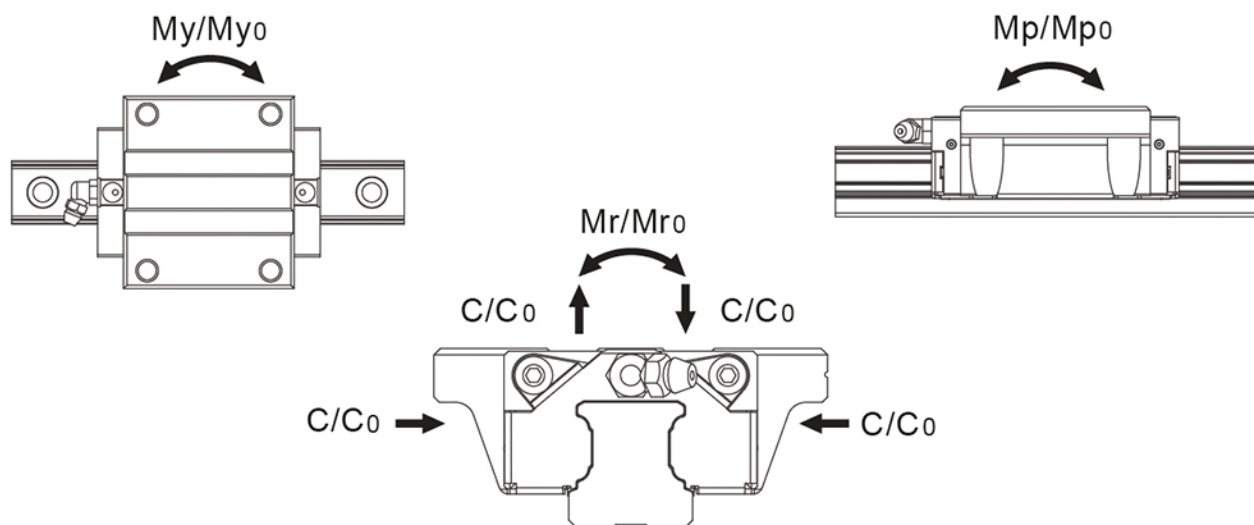
Dimensions in mm.

Lead times in the table below are only indications. Choice of preload, accuracy class and other options will affect lead time. Please contact us for exact delivery time for your request.

For more information about calculation of life, load rating and static moment see Technical information.



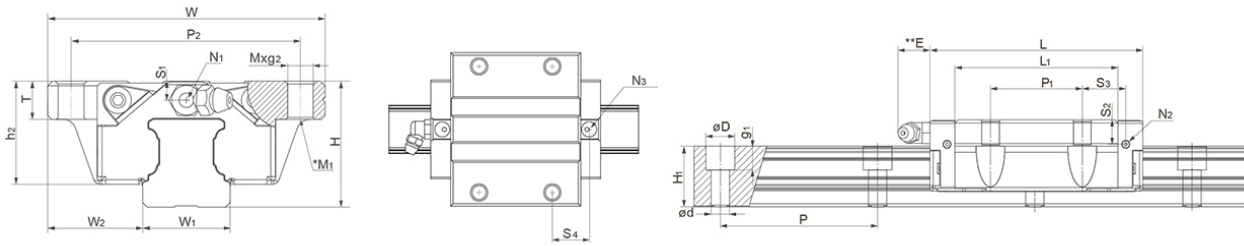
General Data



Designation	Dynamic Load Capacity C (N)	Static Load Capacity C0 (N)	Static Moment Mp0 (Nm)	Static Moment Mr0 (Nm)	Static Moment My0 (Nm)
ARC15FS	7700	12100	50	100	50
ARC20FS	12500	19300	100	205	100
ARC25FS	18200	27300	160	350	160
ARC30FS	23300	33100	230	520	230

Designation	Dynamic Moment Mr (Nm)	Dynamic Moment Mp (Nm)	Dynamic Moment My (Nm)	Weight Block (g)
ARC15FS	64	32	32	132
ARC20FS	133	65	65	210
ARC25FS	233	107	107	345
ARC30FS	366	162	162	750

Dimensions



*M1: Bolt size for bottom mounting type of block
 **E: Size 15 delivered with straight standard nipple.
 Size 20 – 55 delivered with angled standard nipple.

Designation	L	H	W	L1	H1	h2	W1	W2	S1
ARC15FS	41.2	24	52	26	15	20.7	15	18.5	4.5
ARC20FS	49.2	28	59	32.2	20	23	20	19.5	4
ARC25FS	57.4	33	73	34.8	23	27	23	25	5
ARC30FS	68	42	90	44	27	35.2	28	31	7.5

Designation	S2	S3	S4	E	T	N1	N2	N3	M x g2	M1
ARC15FS	7.5	15.6	16.7	5.3	7	M3x6.5	M3x6	P3	M5x7	M4
ARC20FS	7.4	19.1	19.8	10	10	M3x7.5	M3x5.5	P4	M6x10	M5
ARC25FS	9.3	22.2	23.2	12	12	M6x7.5	M3x6.5	P4	M8x12	M6
ARC30FS	12	27	26.8	12	15	M6x8.5	M6x5	P5	M10x15	M8

Designation	D x d x g1	P2	Hole Pitch (P)
ARC15FS	7.5 x 4.5 x 5.3	41	60
ARC20FS	9.5 x 6 x 8.5	49	60
ARC25FS	11 x 7 x 9	60	60
ARC30FS	14 x 9 x 12	72	80

ARC MN

Slim block, standard length and low height, with or without ball chain. ARC55MN is without ball chain. Use together with HRC/HRU rail.

For high load applications or any application where severe chock-loads may occur, the standard version offers better safety margins by its higher static limit (C0). For light to medium loads where a very long lifetime is required, the ball-cage will show superior life span and reliability.

Please note that ball chain versions must never be used for linear speeds exceeding 3 m/s!

Size 15 delivered with straight standard nipple.
Size 20 – 55 delivered with angled standard nipple.

Lubrications injections ports on the block:

N1: Front of the block. All blocks are delivered with front mounted standard grease nipple.

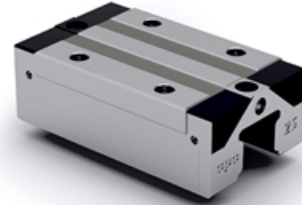
N2: Side of the block. The side lubrication injection port is sealed on delivery to prevent leakage of lubrication.

N3: Top of the block with an O-ring seal. The top lubrication injection port is sealed on delivery to prevent leakage of lubrication.

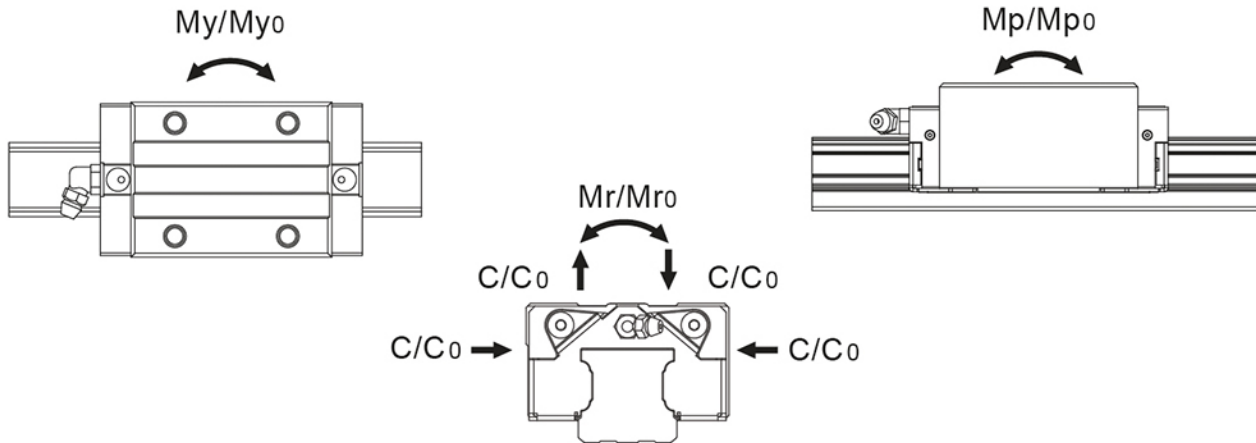
Dimensions in mm.

Lead times in the table below are only indications. Choice of preload, accuracy class and other options will affect lead time. Please contact us for exact delivery time for your request.

For more information about calculation of life, load rating and static moment see Technical information.



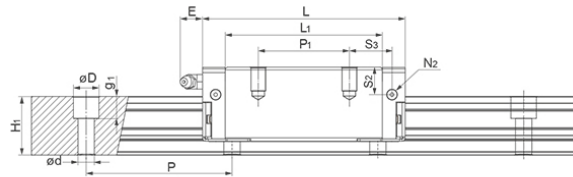
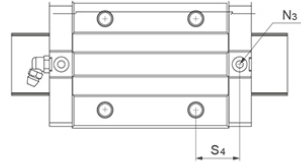
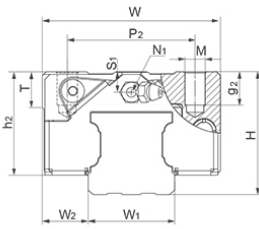
General Data



Designation	Remark	Dynamic Load Capacity C (N)	Static Load Capacity C0 (N)	Static Moment Mp0 (Nm)	Static Moment Mr0 (Nm)
ARC15MN	-	9900	17500	105	140
ARC20MN	-	17100	30000	230	325
ARC25MN	-	24800	42500	385	540
ARC30MN	-	32800	53700	565	845
ARC35MN	-	45900	82900	1080	1700
ARC45MN	-	71300	122100	1910	3200
ARC55MN	No ball chain	128000	186000	3278	4949

Designation	Static Moment My0 (Nm)	Dynamic Moment Mr (Nm)	Dynamic Moment Mp (Nm)	Dynamic Moment My (Nm)	Weight Block (g)
ARC15MN	105	79	59	59	158
ARC20MN	230	185	131	131	266
ARC25MN	385	315	225	225	420
ARC30MN	565	516	345	345	800
ARC35MN	1080	941	598	598	1120
ARC45MN	1910	1869	1115	1115	2120
ARC55MN	3278	3406	2256	2256	4200

Dimensions



**E: Size 15 delivered with straight standard nipple.
Size 20 – 55 delivered with angled standard nipple.

Designation	L	H	W	L1	H1	h2	W1	W2	S1
ARC15MN	55.5	24	34	40.3	15	20.7	15	9.5	4.5
ARC20MN	69	28	42	52	20	23	20	11	4
ARC25MN	81.2	33	48	62.2	23	27	23	12.5	5
ARC30MN	95.5	42	60	71.5	27	35.2	28	16	7.5
ARC35MN	111.2	48	70	86.2	32	40.4	34	18	8
ARC45MN	135.5	60	86	102.5	39	50.7	45	20.5	11.1
ARC55MN	168.5	70	100	126.5	45.7	58	53	23.5	13.5

Designation	S2	S3	S4	E	T	N1	N2	N3	M x g2	D x d x g1
ARC15MN	7.5	9.8	10.9	5.3	6	M3x6.5	M3x6	P3	M4x7	7.5 x 4.5 x 5.3
ARC20MN	7.4	13	13.7	10	8	M3x7.5	M3x5.5	P4	M5x7	9.5 x 6 x 8.5
ARC25MN	9.3	16.6	17.6	12	8	M6x7.5	M3x6.5	P4	M6x9	11 x 7 x 9
ARC30MN	12	20.8	20.5	12	12	M6x8.5	M6x5	P5	M8x10	14 x 9 x 12
ARC35MN	15	23.4	24.1	12	14	M6x10	M6x7	P5	M8x13	14 x 9 x 12
ARC45MN	18.1	27.3	27.2	14	14	PTI/8x12.5	M6x10.5	P5	M10x17	20 x 14 x 17
ARC55MN	23.5	34.8	33.8	12	16	M6x10	M6x13	P5	M12x20	24 x 16 x 20

Designation	P1	P2	Hole Pitch (P)
ARC15MN	26	26	60
ARC20MN	32	32	60
ARC25MN	35	35	60
ARC30MN	40	40	80
ARC35MN	50	50	80
ARC45MN	60	60	105
ARC55MN	75	75	120

ARC ML

Slim, long block with low height, with or without ball chain. ARC55ML is without ball chain. Use together with HRC/HRU rail.

For high load applications or any application where severe chock-loads may occur, the standard version offers better safety margins by its higher static limit (C0). For light to medium loads where a very long lifetime is required, the ball-cage will show superior life span and reliability.

Please note that ball chain versions must never be used for linear speeds exceeding 3 m/s!

Size 20 – 55 delivered with angled standard nipple.

Lubrications injections ports on the block:

N1: Front of the block. All blocks are delivered with front mounted standard grease nipple.

N2: Side of the block. The side lubrication injection port is sealed on delivery to prevent leakage of lubrication.

N3: Top of the block with an O-ring seal. The top lubrication injection port is sealed on delivery to prevent leakage of lubrication.

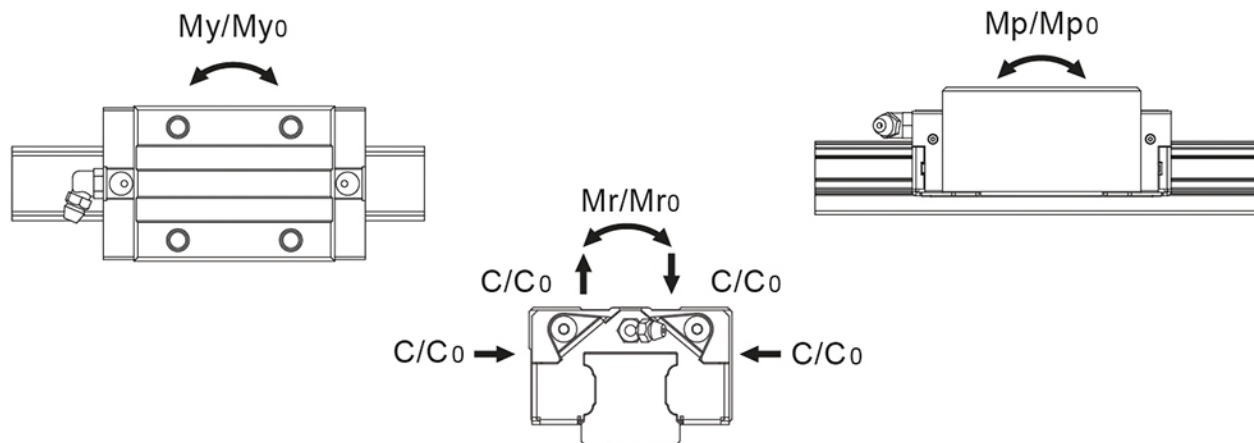
Dimensions in mm.

Lead times in the table below are only indications. Choice of preload, accuracy class and other options will affect lead time. Please contact us for exact delivery time for your request.

For more information about calculation of life, load rating and static moment see Technical information.



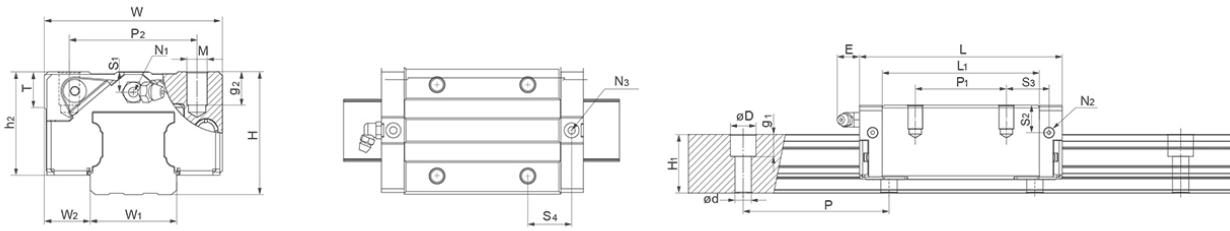
General Data



Designation	Remark	Dynamic Load Capacity C (N)	Static Load Capacity C0 (N)	Static Moment Mp0 (Nm)	Static Moment Mr0 (Nm)
ARC20ML	-	20400	38500	390	415
ARC30ML	-	39600	70200	950	1105
ARC35ML	-	54700	106500	1755	2185
ARC45ML	-	89500	169100	3460	4430
ARC55ML	No ball chain	147000	226000	5284	6472

Designation	Static Moment My0 (Nm)	Dynamic Moment Mr (Nm)	Dynamic Moment Mp (Nm)	Dynamic Moment My (Nm)	Weight Block (g)
ARC20ML	330	220	207	175	330
ARC30ML	950	623	536	536	1138
ARC35ML	1755	1122	901	901	1536
ARC45ML	3460	2345	1831	1831	3160
ARC55ML	5284	4210	3437	3437	5083

Dimensions



**E: Size 15 delivered with straight standard nipple.
Size 20 – 55 delivered with angled standard nipple.

Designation	L	H	W	L1	H1	h2	W1	W2	S1
ARC20ML	87.2	28	42	70.2	20	23	20	11	4
ARC30ML	118	42	60	94	27	35.2	28	16	8.7
ARC35ML	136.6	48	70	111.6	32	40.4	34	18	8
ARC45ML	171.5	60	86	138.5	39	50.7	45	20.5	11.1
ARC55ML	202	70	100	160	45.7	58	53	23.5	13.5

Designation	S2	S3	S4	E	T	N1	N2	N3	M x g2	D x d x g1
ARC20ML	7.4	15.6	16.3	10	8	M3x7.5	M3x5.5	P4	M5x7	9.5 x 6 x 8.5
ARC30ML	12	21.7	21.7	12	12	M6x8.5	M6x5	P5	M8x10	14 x 9 x 12
ARC35ML	15	25.1	25.8	12	14	M6x10	M6x7	P5	M8x13	14 x 9 x 12
ARC45ML	18.1	35	35	14	14	PTI/8x12.5	M6x10.5	P5	M10x17	20 x 14 x 17
ARC55ML	23.5	41.5	40.5	12	16	M6x10	M6x13	P5	M12x20	24 x 16 x 20

Designation	P1	P2	Hole Pitch (P)
ARC20ML	45	32	60
ARC30ML	60	40	80
ARC35ML	72	50	80
ARC45ML	80	60	105
ARC55ML	95	75	120

ARC MS

Slim, super short block with low height, with or without ball chain. Use together with HRC/HRU rail.

For high load applications or any application where severe chock-loads may occur, the standard version offers better safety margins by its higher static limit (C0). For light to medium loads where a very long lifetime is required, the ball-cage will show superior life span and reliability.

Please note that ball chain versions must never be used for linear speeds exceeding 3 m/s!

Size 15 delivered with straight standard nipple.
Size 20 – 30 delivered with angled standard nipple.

Lubrications injections ports on the block:

N1: Front of the block. All blocks are delivered with front mounted standard grease nipple.

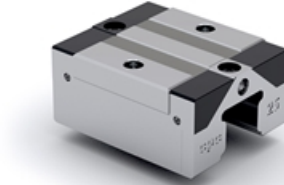
N2: Side of the block. The side lubrication injection port is sealed on delivery to prevent leakage of lubrication.

N3: Top of the block with an O-ring seal. The top lubrication injection port is sealed on delivery to prevent leakage of lubrication.

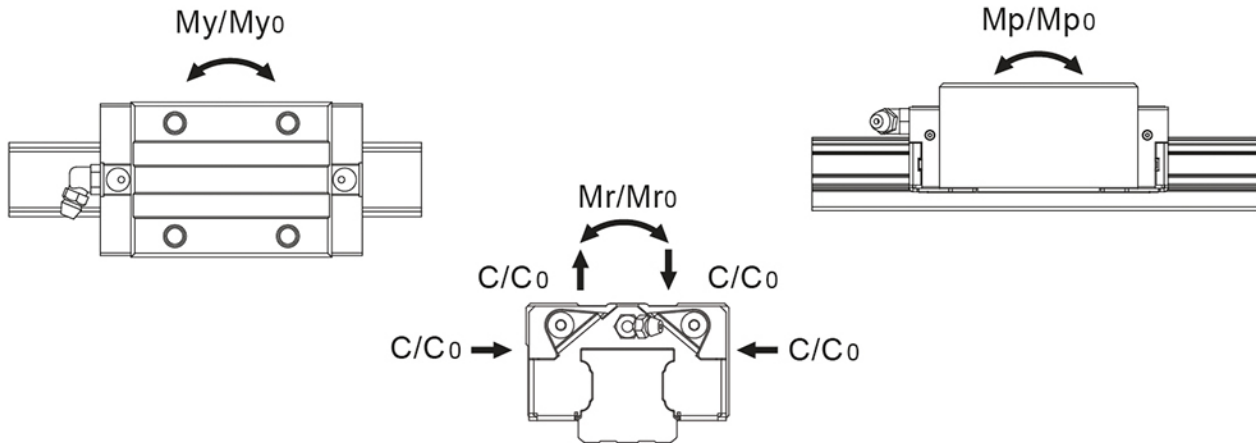
Dimensions in mm.

Lead times in the table below are only indications. Choice of preload, accuracy class and other options will affect lead time. Please contact us for exact delivery time for your request.

For more information about calculation of life, load rating and static moment see Technical information.



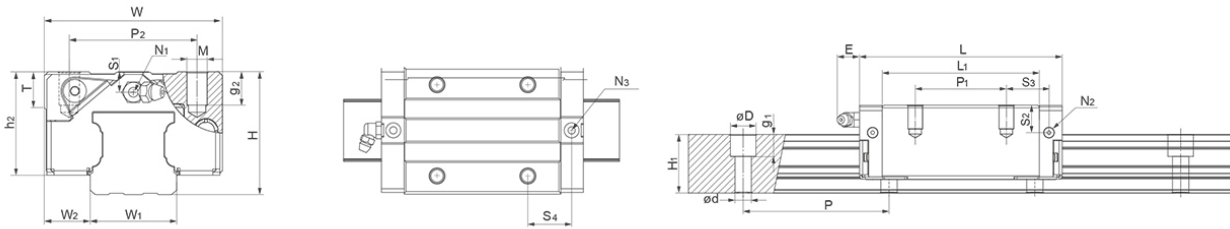
General Data



Designation	Dynamic Load Capacity C (N)	Static Load Capacity C ₀ (N)	Static Moment Mp ₀ (Nm)	Static Moment Mr ₀ (Nm)	Static Moment My ₀ (Nm)
ARC15MS	7700	12100	50	100	50
ARC20MS	12500	19300	100	205	100
ARC25MS	18200	27300	160	350	160
ARC30MS	23300	33100	230	520	230

Designation	Dynamic Moment Mr (Nm)	Dynamic Moment Mp (Nm)	Dynamic Moment My (Nm)	Weight Block (g)
ARC15MS	64	32	32	106
ARC20MS	133	65	65	170
ARC25MS	233	107	107	300
ARC30MS	366	162	162	560

Dimensions



**E: Size 15 delivered with straight standard nipple.
Size 20 – 55 delivered with angled standard nipple.

Designation	L	H	W	L1	H1	h2	W1	W2	S1
ARC15MS	41.2	24	34	26	15	20.7	15	9.5	4.5
ARC20MS	49.2	28	42	32.2	20	23	20	11	4
ARC25MS	57.4	33	48	38.4	23	27	23	12.5	5
ARC30MS	68	42	60	44	27	35.2	28	16	7.5

Designation	S2	S3	S4	E	T	N1	N2	N3	M x g2	D x d x g1
ARC15MS	7.5	15.6	16.7	5.3	6	M3x6.5	M3x6	P3	M4x7	7.5 x 4.5 x 5.3
ARC20MS	7.4	19.1	19.8	10	8	M3x7.5	M3x5.5	P4	M5x7	9.5 x 6 x 8.5
ARC25MS	9.3	22.2	23.2	12	8	M6x7.5	M3x6.5	P4	M6x9	11 x 7 x 9
ARC30MS	12	27	26.7	12	12	M6x8.5	M6x5	P5	M8x10	14 x 9 x 12

Designation	P2	Hole Pitch (P)
ARC15MS	26	60
ARC20MS	32	60
ARC25MS	35	60
ARC30MS	40	80

ERC MN

Slim block with standard length and low height, with or without ball chain. Use together with HRC/HRU rail.

For high load applications or any application where severe chock-loads may occur, the standard version offers better safety margins by its higher static limit (C0). For light to medium loads where a very long lifetime is required, the ball-cage will show superior life span and reliability.

Please note that ball chain versions must never be used for linear speeds exceeding 3 m/s!

Size 25 delivered with angled standard nipple.

Lubrications injections ports on the block:

N1: Front of the block. All blocks are delivered with front mounted standard grease nipple.

N2: Side of the block. The side lubrication injection port is sealed on delivery to prevent leakage of lubrication.

N3: Top of the block with an O-ring seal. The top lubrication injection port is sealed on delivery to prevent leakage of lubrication.

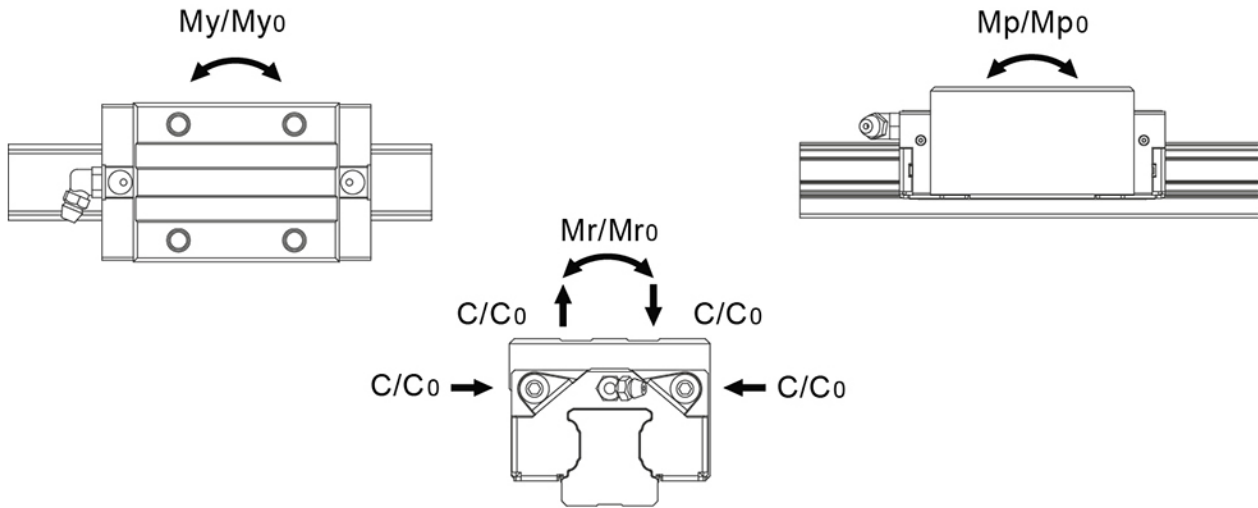
Dimensions in mm.

Lead times in the table below are only indications. Choice of preload, accuracy class and other options will affect lead time. Please contact us for exact delivery time for your request.

For more information about calculation of life, load rating and static moment see Technical information.



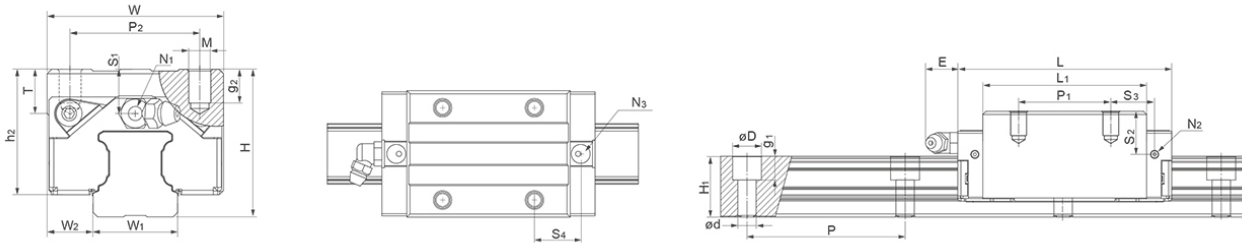
General Data



Designation	Dynamic Load Capacity C (N)	Static Load Capacity C0 (N)	Static Moment Mp0 (Nm)	Static Moment Mr0 (Nm)	Static Moment My0 (Nm)
ERC25MN	24800	42500	385	540	385

Designation	Dynamic Moment Mr (Nm)	Dynamic Moment Mp (Nm)	Dynamic Moment My (Nm)	Weight Block (g)
ERC25MN	315	225	225	470

Dimensions



**E: Size 15 delivered with straight standard nipple.
Size 20 – 55 delivered with angled standard nipple.

Designation	L	H	W	L1	H1	h2	W1	W2	S1
ERC25MN	81.2	36	48	62.2	23	30	23	12.5	8

Designation	S2	S3	S4	E	T	N1	N2	N3	M x g2	D x d x g1
ERC25MN	12.3	16.6	17.6	12	8	M6x7.5	M3x6.5	P4	M6x9	11 x 7 x 9

Designation	P1	P2	Hole Pitch (P)
ERC25MN	35	35	60

ERC ML

Slim, long block with low height, with or without ball chain.
Use together with HRC/HRU rail.

For high load applications or any application where severe chock-loads may occur, the standard version offers better safety margins by its higher static limit (C0). For light to medium loads where a very long lifetime is required, the ball-cage will show superior life span and reliability.

Please note that ball chain versions must never be used for linear speeds exceeding 3 m/s!

Size 25 delivered with angled standard nipple.

Lubrications injections ports on the block:

N1: Front of the block. All blocks are delivered with front mounted standard grease nipple.

N2: Side of the block. The side lubrication injection port is sealed on delivery to prevent leakage of lubrication.

N3: Top of the block with an O-ring seal. The top lubrication injection port is sealed on delivery to prevent leakage of lubrication.

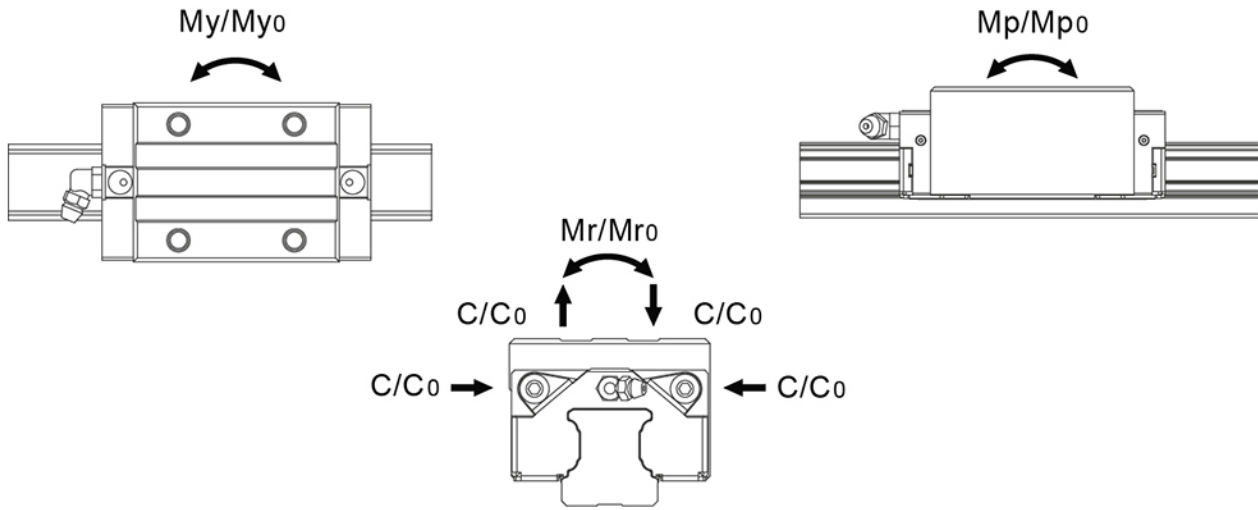
Dimensions in mm.

Lead times in the table below are only indications. Choice of preload, accuracy class and other options will affect lead time. Please contact us for exact delivery time for your request.

For more information about calculation of life, load rating and static moment see Technical information.



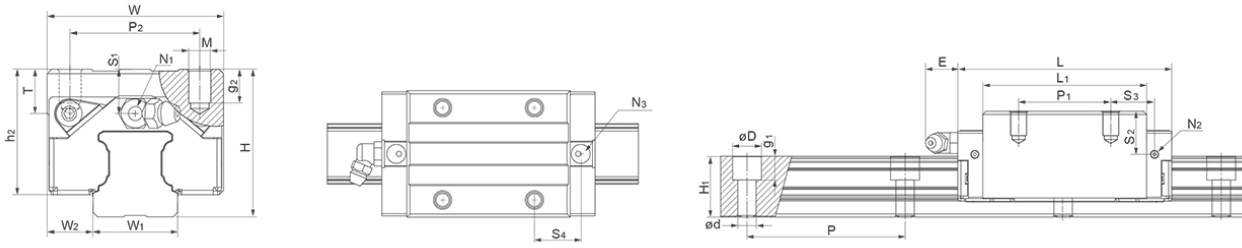
General Data



Designation	Dynamic Load Capacity C (N)	Static Load Capacity C0 (N)	Static Moment Mp0 (Nm)	Static Moment Mr0 (Nm)	Static Moment My0 (Nm)
ERC25ML	30700	57700	710	735	710

Designation	Dynamic Moment Mr (Nm)	Dynamic Moment Mp (Nm)	Dynamic Moment My (Nm)	Weight Block (g)
ERC25ML	391	378	378	610

Dimensions



**E: Size 15 delivered with straight standard nipple.
Size 20 – 55 delivered with angled standard nipple.

Designation	L	H	W	L1	H1	h2	W1	W2	S1
ERC25ML	105	36	48	86	23	30	23	12.5	8

Designation	S2	S3	S4	E	T	N1	N2	N3	M x g2	D x d x g1
ERC25ML	12.3	21	22	12	8	M6x7.5	M3x6.5	P4	M6x9	11 x 7 x 9

Designation	P1	P2	Hole Pitch (P)
ERC25ML	50	35	60

HRC Rail

Counterbore from above.
Cut to length acc. to request.
Rails can be joint together for extra long lengths.
Contact Rollco for more information.

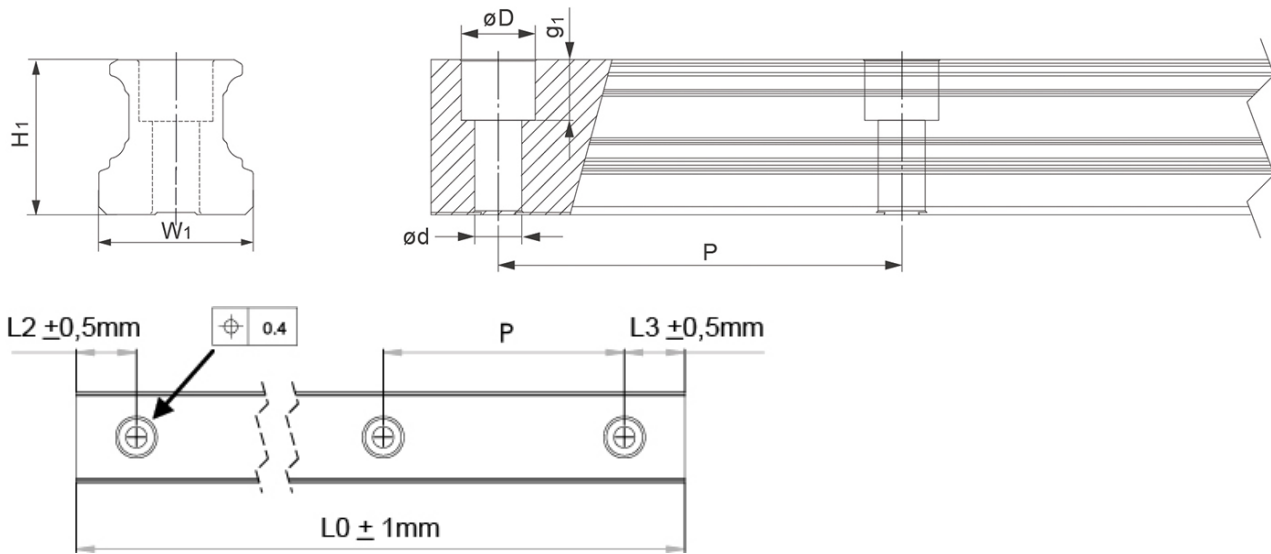
Dimensions in mm.



General Data

Designation	Length (mm)	Weight Rail (g/m)
HRC15	4000	1290
HRC20	4000	2280
HRC25	4000	3020
HRC30	4000	4380
HRC35	4000	6790
HRC45	4000	10530
HRC55	4000	14000

Dimensions

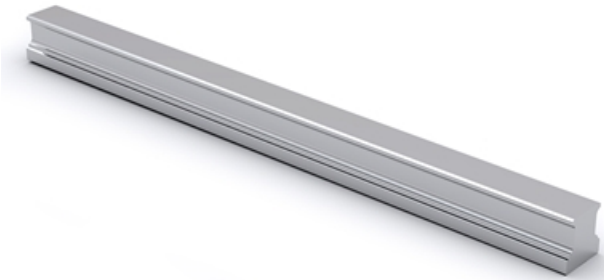


Designation	H1	W1	D x d x g1	Hole Pitch (P)
HRC15	15	15	7.5 x 4.5 x 5.3	60
HRC20	20	20	9.5 x 6 x 8.5	60
HRC25	23	23	11 x 7 x 9	60
HRC30	27	28	14 x 9 x 12	80
HRC35	32	34	14 x 9 x 12	80
HRC45	39	45	20 x 14 x 17	105
HRC55	45.7	53	24 x 16 x 20	120

HRU Rail

Tapped from the bottom.
Cut to length acc. to request.
Rails can be joint together for extra long lengths.
Contact Rollco for more information.

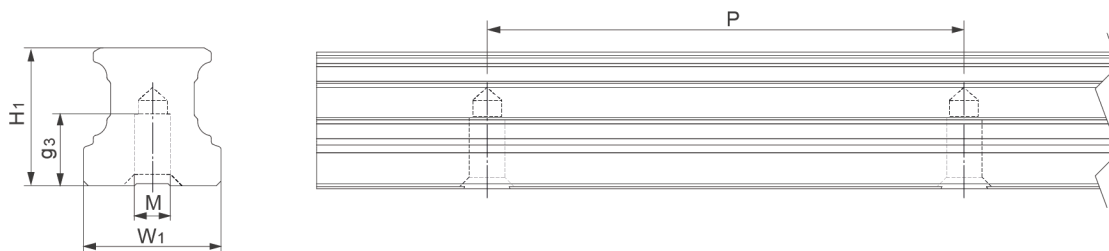
Dimensions in mm.



General Data

Designation	Length (mm)	Weight Rail (g/m)
HRU15	4000	1290
HRU20	4000	2280
HRU25	4000	3020
HRU30	4000	4380
HRU35	4000	6790
HRU45	4000	10530
HRU55	4000	14000

Dimensions



Designation	H1	W1	M x g3	Hole Pitch (P)
HRU15	15	15	M5 x 8	60
HRU20	20	20	M6 x 10	60
HRU25	23	23	M6 x 12	60
HRU30	27	28	M8 x 15	80
HRU35	32	34	M8 x 15	80
HRU45	39	45	M12 x 19	105
HRU55	45.7	53	M14 x 24	120

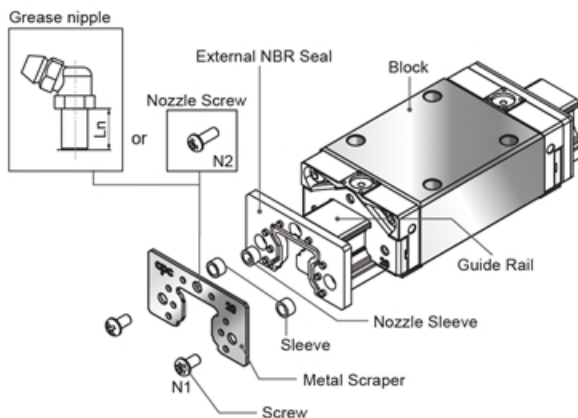
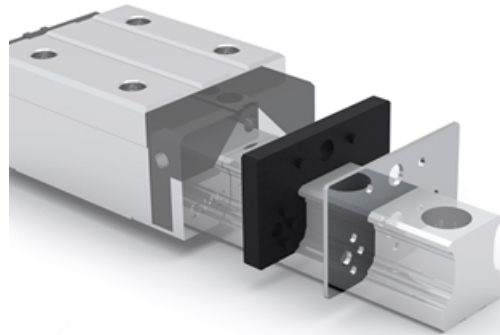
NBR Seal / Metal Scraper

External seal with metal scraper, available for applications under harsh environments. Dustproof solution for milling machining, machinery processing, wood-working or other outdoor applications. It demonstrates high dust-proof ability to prevent contamination from fine dust, iron scrap or dirt.

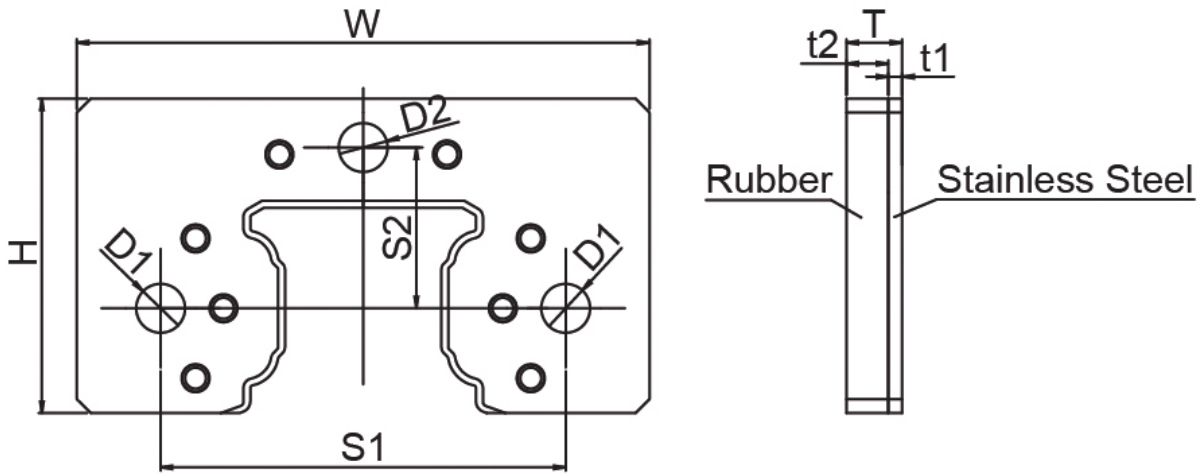
Installation

1. Set block on the rail before installing external NBR seal.
2. Make sure rubber part is fitted in the sleeve. If rubber parts fall off, please set the sleeve to the correspondent bore.
3. Overlap rubber part and metal scraper with the corresponding salient point and the bore. cpc logo must be facing outward.
4. Slide the external NBR seal into rail from two sides and closely connect with the block.
5. Fasten screw into the correspondence bore. Make sure the seal is centre aligned with the rail while fastening. Do not make metal scraper contact with guide rail.

Dimensions in mm.



Dimensions



Designation	W	H	T	D1	D2	N1	S1	S2	N2
SN15	33	20.3	4	3.5	3.5	M3x0.35	25	10.2	M3x0.5
SN20	41	22.5	4	3.5	3.5	M3x0.35	29	11.5	M3x0.5
SN25	47	26.5	5.2	4.5	6.5	M4x0.5	36.5	13.5	M6x0.75
SN30	58	34.2	6	4.5	6.5	M4x0.5	42.5	17.5	M6x0.75
SN35	68	39.3	6	4.5	6.5	M4x0.5	50	20.5	M6x0.75
SN45	84	49.6	6	4.5	10	M4x0.5	65	24.9	PT1/8
SN55	98	57	6	5.5	6.5	M5x0.5	73	28	M6x0.75

Designation	Ln	t1	t2
SN15	9	1	3
SN20	9	1	3
SN25	12	1.2	4
SN30	12	1.5	4.5
SN35	12	1.5	4.5
SN45	15	1.5	4.5
SN55	16	1.5	4.5

HK Clamping Element

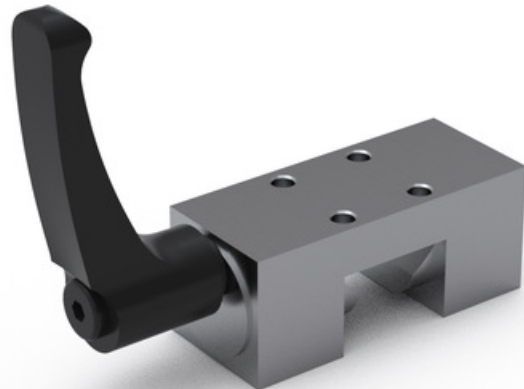
Clamping elements are designed to be used when holding a position on the rail.

Note! As of April 2023, MC Clamping Element for Linear Rail HRC/ERC/ARC are replaced with the new HK Clamping Elements. Please, download the new CAD files below and see document "New HK Clamping Elements" for more information.

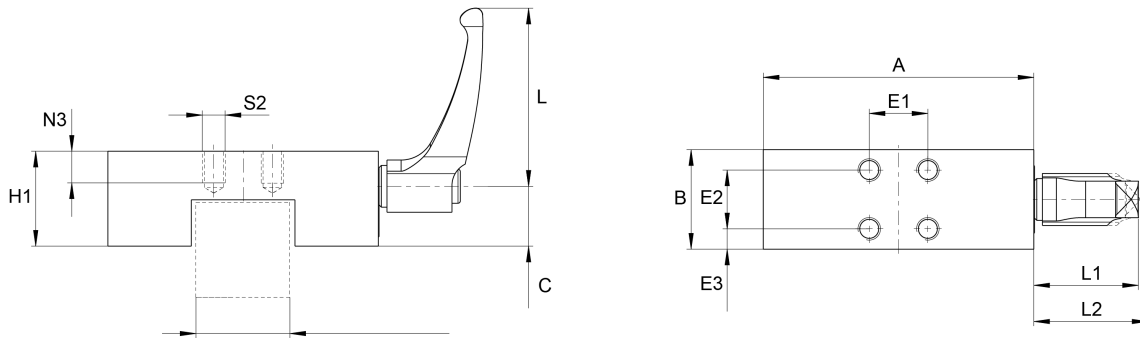
Because of the height difference of different rail guide blocks and to ensure the proper function of the HK Clamping Elements, the use of adapter plates is sometimes needed. See document "Selection of Clamping Elements" for individual block types and whether an adapter plate is needed.

Compatible with Linear Rail HRC/ARC/ERC only.

Dimensions in mm.



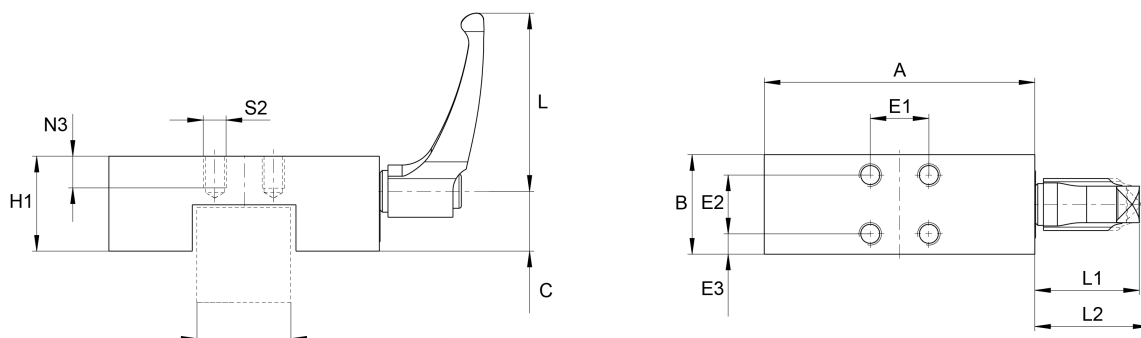
General Data



Designation	Remark	Holding Force (N)	Tightening Torque (Nm)	Weight (kg)	Max. Length Clamping
HK1514D	Use Distance Plate PHK15-4 for HRC15MN and HRC15ML.	1200	5.00	0.14	24
HK2005KN	-	750	4.00	0.14	24
HK2005KR	-	1200	5.00	0.22	24
HK2505KN	-	750	4.00	0.14	24
HK2505KR	Use Distance Plate PHK25-4 for HRC25MN and HRC25ML.	1200	7.00	0.39	30
HK3002K	Use Distance Plate PHK30-3 for HRC30MN and HRC30ML.	2000	15.00	0.77	39
HK3505KR	Use Distance Plate PMK35-7 for HRC35MN and HRC35ML.	2000	15.00	0.96	39
HK4501A	Use Distance Plate PHK45-10 for HRC45MN and HRC45ML.	2000	15.00	1.4	44

Designation	Size
HK1514D	15
HK2005KN	20
HK2005KR	20
HK2505KN	25
HK2505KR	25
HK3002K	30
HK3505KR	35
HK4501A	45

Dimensions



Designation	A	C	B	H1	N3	S2	E1	E2	E3
HK1514D	47	13.3	24	17.5	5	M4	17	17	4
HK2005KN	42	14.3	24	18	5	M5	15	15	4.5
HK2005KR	60	17.5	24	23	6	M5	15	15	4.5
HK2505KN	42	14.3	24	18	5	M5	15	15	4.5
HK2505KR	70	22.3	30	29	7	M6	20	20	5
HK3002K	90	23.6	39	32	8	M6	22	22	8.5
HK3505KR	100	31	39	41	10	M8	24	24	7.5
HK4501A	120	32.6	44	44	14	M10	26	26	9

Designation	L	L1	L2
HK1514D	44	30.5	33.5
HK2005KN	44	30.5	33.5
HK2005KR	44	30.5	33.5
HK2505KN	44	30.5	33.5
HK2505KR	63	38.5	41.5
HK3002K	78	46.5	50.5
HK3505KR	78	46.5	50.5
HK4501A	78	46.5	50.5

Adapter Plate for HK Clamping Element

Because of the height difference of different rail guide blocks and to ensure the proper function of the HK Clamping Elements, the use of adapter plates is sometimes needed. See document "Selection of Clamping Elements" for individual block types and whether an adapter plate is needed.

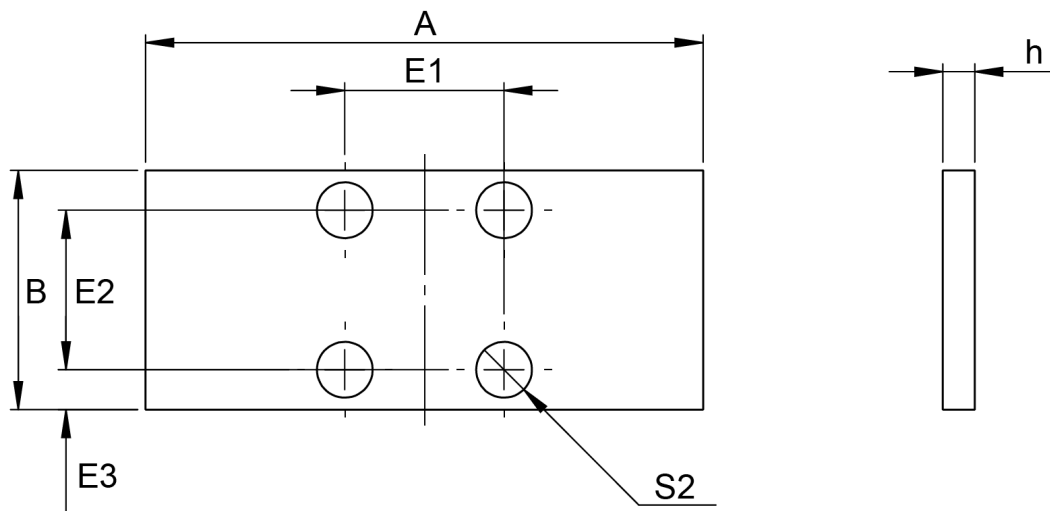
Dimensions in mm.



General Data

Designation	Weight (kg)
PHK15-4	0.033
PHK25-4	0.062
PHK30-3	0.08
PMK35-7	0.2
PHK45-10	0.39

Dimensions



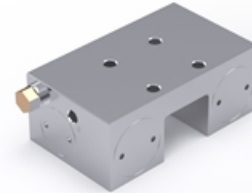
Designation	A	B	S2	E1	E2	E3	h
PHK15-4	47	24	M4	17	17	3.5	4
PHK25-4	70	30	M6	20	20	5	4
PHK30-3	90	39	M6	22	22	8.5	3
PMK35-7	100	39	M8	24	24	7.5	7
PHK45-10	120	44	M10	26	26	9	10

MK Clamping Element

Pneumatic clamping element, designed to be used for holding a position when using linear rail guides. Energize to close (NO).

Compatible with Linear Rail HRC/ARC/ERC only.

Because of the height difference of different rail guide blocks and to ensure the proper function of the MK Clamping Elements, the use of adapter plates is sometimes needed. See document "Selection of Clamping Elements" for individual block types and whether an adapter plate is needed.



Dimensions in mm.

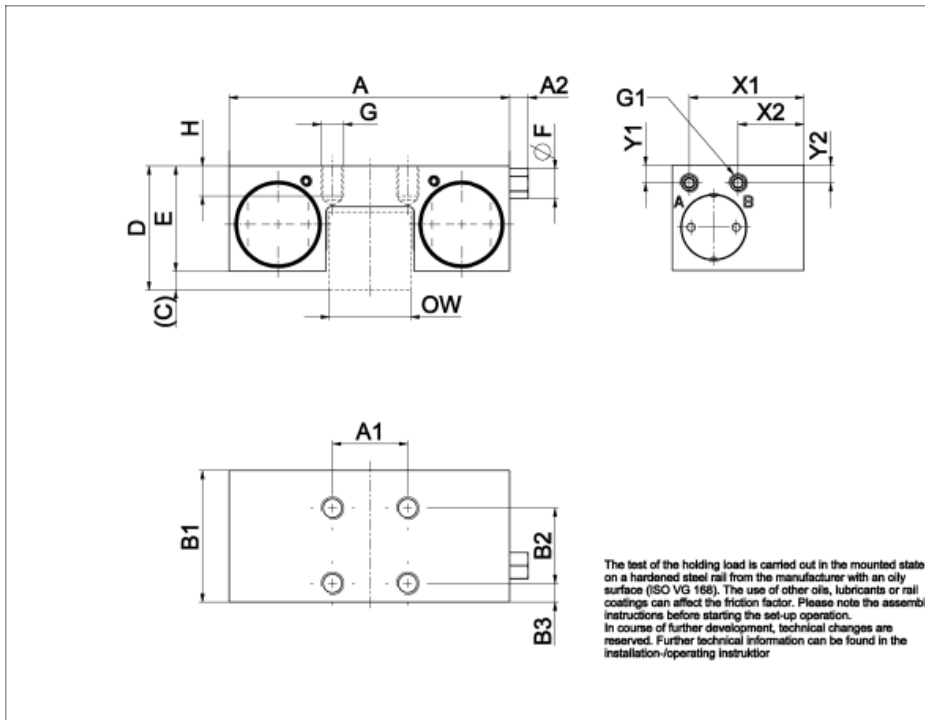
For other types contact Rollco.

Temperature range (°C): 0 - 70

General Data

Designation	Compatible with	Fixing force (N)	Operating pressure (bar)	Max. Operating Pressure (bar)	Installation way
MK1514D	HRC15, HRU15	650	6	6.5	from above
MK2014D	HRC20, HRU20	700	6	6.5	from above
MK2514D	HRC25, HRU25	1200	6	6.5	from above
MK3005A	HRC30, HRU30	1750	6	6.5	from above
MK3514D	HRC35, HRU35	2000	6	6.5	from above
MK4514D	HRC45, HRU45	2250	6	6.5	from above

Dimensions



Designation	OW	D	T	A	C	X	E	A1	A2
MK1514D	13	24	0	55	2.5	24	21.5	15	5
MK2014D	16.75	30	2	66	3.5	28	24.5	20	6
MK2514D	19.75	36	0	75	8	36	28	20	5
MK3005A	24.6	42	0	90	7	42	35	22	5
MK3514D	31.8	48	0	100	11.5	48	36.5	24	5
MK4514D	42	60	0	120	16.5	60	43.5	26	5

Designation	B1	B2	B3	G	H	F	W1 (SW air filter)	G1 (air connection)	X1 (air filter horizontal / mm)	Y1 (air filter vertical / mm)
MK1514D	39	15	15.5	M4	4.5	8	7	M5	34	17
MK2014D	39	20	10	M5	4.2	8	7	M5	35	21
MK2514D	35	20	5	M6	8	8	7	M5	30.5	4.7
MK3005A	39	22	8.5	M8	7	8	7	M5	24.5	5.2
MK3514D	39	24	7.5	M10	10	8	7	M5	20	5.2
MK4514D	49	26	11.5	M10	15	8	7	M5	29.5	11

Designation	X2 (air connection horizontal / mm)	Y2 (air connection vertical / mm)
MK1514D	34	6.1
MK2014D	34	5.2
MK2514D	17.5	4.7
MK3005A	14.5	5.2
MK3514D	9	5.2

Dimensions

Designation	X2 (air connection horizontal / mm)	Y2 (air connection vertical / mm)
MK4514D	19.5	11

MKS Clamping Element

Pneumatic clamping element, designed to be used for holding a position when using linear rail guides. Energize to open (NC).

Compatible with Linear Rail HRC/ARC/ERC only.

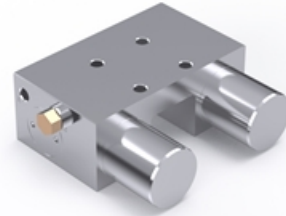
The holding forces may be in-creased by means of a PLUS connection, provided that this is listed under the technical data, by using the pneumatic pressure support of the spring accumulator.

Because of the height difference of different rail guide blocks and to ensure the proper function of the MKS Clamping Elements, the use of adapter plates is sometimes needed. See document "Selection of Clamping Elements" for individual block types and whether an adapter plate is needed.

Dimensions in mm.

More types are available, contact Rollco for further information.

Temperature range (°C): 0 - 70

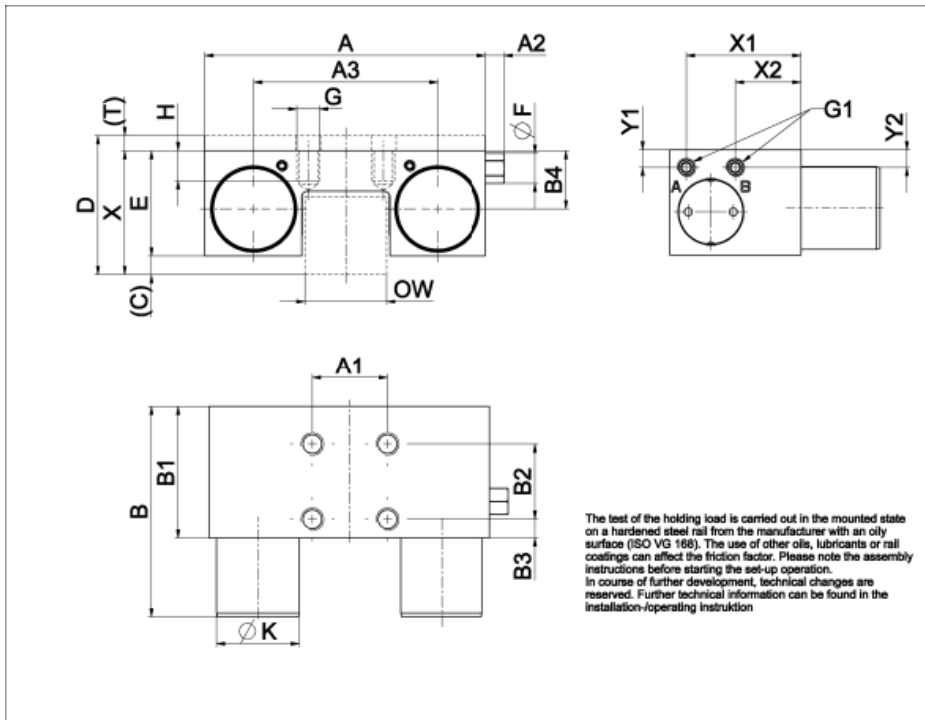


General Data

Designation	Compatible with	Fixing force (N)	Min. operating pressure (bar)	Max. Operating Pressure (bar)	Installation way
MKS1514D	HRC15, HRU15	400	5.5	6.5	from above
MKS2014D	HRC20, HRU20	400	5.5	6.5	from above
MKS2514D	HRC25, HRU25	750	5.5	6.5	from above
MKS3005A	HRC30, HRU30	1050	5.5	6.5	from above
MKS3514D	HRC35, HRU35	1250	5.5	6.5	from above
MKS4514D	HRC45, HRU45	1450	5.5	6.5	from above

Designation	PLUS-connection
MKS1514D	not possible
MKS2014D	not possible
MKS2514D	not possible
MKS3005A	not possible
MKS3514D	not possible
MKS4514D	not possible

Dimensions



Designation	OW	D	T	A	C	X	E	A1	A2
MKS1514D	13	24	0	55	2.5	24	21.5	15	5
MKS2014D	16.75	30	2	66	3.5	28	24.5	20	6
MKS2514D	19.75	36	0	75	8	36	28	20	5
MKS3005A	24.6	42	0	90	7	42	35	22	5
MKS3514D	31.8	48	0	100	11.5	48	36.5	24	5
MKS4514D	42	60	0	120	16.5	60	43.5	26	5

Designation	A3	B	B1	B2	B3	B4	G	H	F	G1 (air connection)
MKS1514D	34	58	39	15	15.5	12	M4	4.5	8	M5
MKS2014D	39	61	39	20	10	13.4	M5	4.2	8	M5
MKS2514D	49	56	35	20	5	15.5	M6	8	8	M5
MKS3005A	58	68	39	22	8.5	20.5	M8	7	8	M5
MKS3514D	68	67	39	24	7.5	20.5	M8	10	8	M5
MKS4514D	78.8	82	49	26	11.5	26.8	M10	15	8	M5

Designation	X1 (air filter horizontal / mm)	Y1 (air filter vertical / mm)	X2 (air connection horizontal / mm)	Y2 (air connection vertical / mm)	K
MKS1514D	34	17	34	5.9	16
MKS2014D	35	21	34	5.2	20
MKS2514D	30.5	4.7	17.5	4.7	22
MKS3005A	24.5	5.2	14.5	5.2	25
MKS3514D	20	5.2	9	5.2	28
MKS4514D	29.5	11	19.5	11	30

Adapter Plate for MK & MKS Clamping Elements

Because of the height difference of different rail guide blocks and to ensure the proper function of the MK and MKS Clamping Elements, the use of adapter plates is sometimes needed. See "Selection of Clamping Elements" for individual block types and whether an adapter plate is needed.

Compatible with Linear Rail HRC/ARC/ERC only.

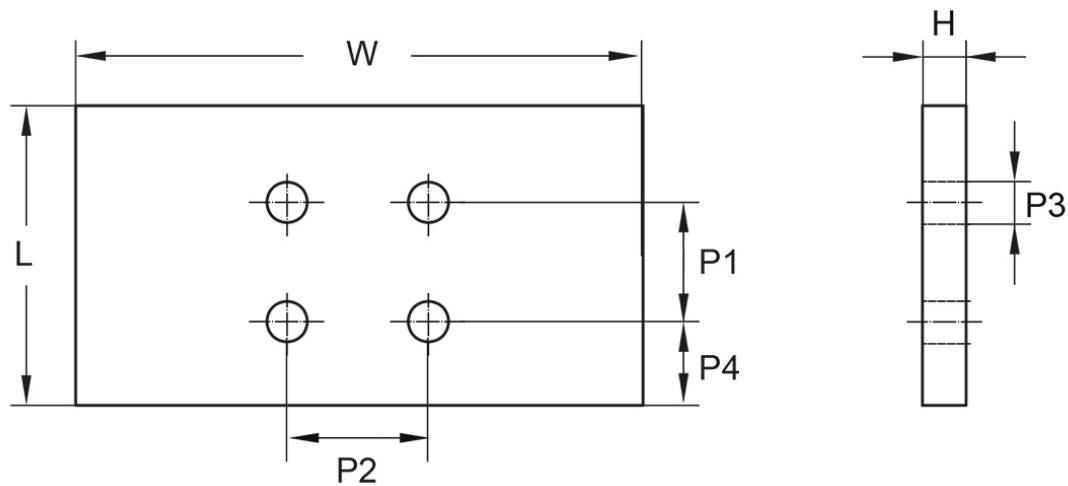
Dimensions in mm.



General Data

Designation	Compatible with	Remark	Recommended screw size	Weight (kg)
PMK15-4	MK1514D, MKS1514D	Use Distance Plate PMK15-4 for HRC15MN	M4	0.065
PMK20-2-A	MK2014D, MKS2014D	Use Distance Plate PMK20-2-A for HRC20FL, HRC20FN, HRC20ML, HRC20MN	M6	0.029
PMK25-4	MK2514D, MKS2514D	Use Distance Plate PMK25-4 for HRC25ML, HRC25MN	M6	0.078
PMK30-3	MK3005A, MKS3005A	Use Distance Plate PMK30-3 for HRC30ML, HRC30MN	M8	0.077
PMK35-7	MK3514D, MKS3514D	Use Distance Plate PMK35-7 for HRC35ML, HRC35MN	M8	0.2
PMK45-10	MK4514D, MKS4514D	Use Distance Plate PMK45-10 for HRC45ML, HRC45MN	M10	0.43

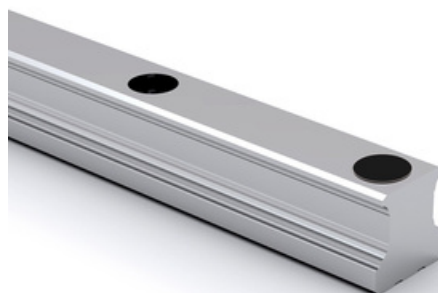
Dimensions



Designation	H	L	P1	P2	P3	P4	W
PMK15-4	4	39	15	15	4.5	15.5	55
PMK20-2-A	2	30	20	20	6.5	5	66
PMK25-4	4	35	20	20	6.5	5	75
PMK30-3	3	39	22	22	8.5	8.5	90
PMK35-7	7	39	24	24	8.5	7.5	100
PMK45-10	10	49	26	26	10.5	11.5	120

Plastic Hole Cap

Contaminants invade into the bolt holes of the rail and pollute the inside of the bearing. You can use hole caps to fill the holes. Hole caps are provided with the rails.



General Data

Designation	Compatible with	Screw Type
HRC15 Hole cap	HRC15	M4
HRC20 Hole cap	HRC20	M5
HRC25 Hole cap	HRC25	M6
HRC30/35 Hole cap	HRC30/35	M8
HRC45 Hole cap	HRC45	M12
HRC55 Hole cap	HRC55	M14

Dimensions



Designation	H	D
HRC15 Hole cap	1,8	7,7
HRC20 Hole cap	3.4	9.7
HRC25 Hole cap	3.3	11.2
HRC30/35 Hole cap	4.4	14.1
HRC45 Hole cap	5	20.1
HRC55 Hole cap	6.3	24.2

Metal-Plastic Hole Cap

The top of the cap is made of stainless steel and prevents dirt or scrap from piling up in the bolt hole, which may affect the end seal function.

The lower part of the cap is made of plastic and can be installed directly on the standard rail. There is no need to conduct other fine slot milling for bolt-hole.

The bolt-hole chamfer for standard rail is C0.2 mm. A non-bolt-hole chamfer rail is available on request for absolutely dust-proof applications. Please contact us for more information.

The cap is designed with supporting block to prop up the cap, fix the screw stably and prevent it from sinking.

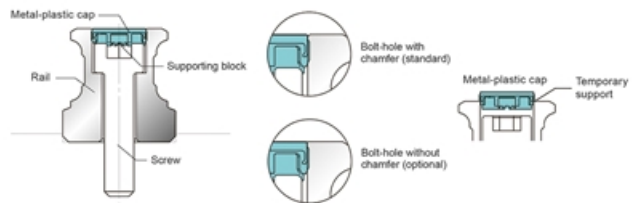
Dimensions in mm.



Cap before hammering
(Plastic support)



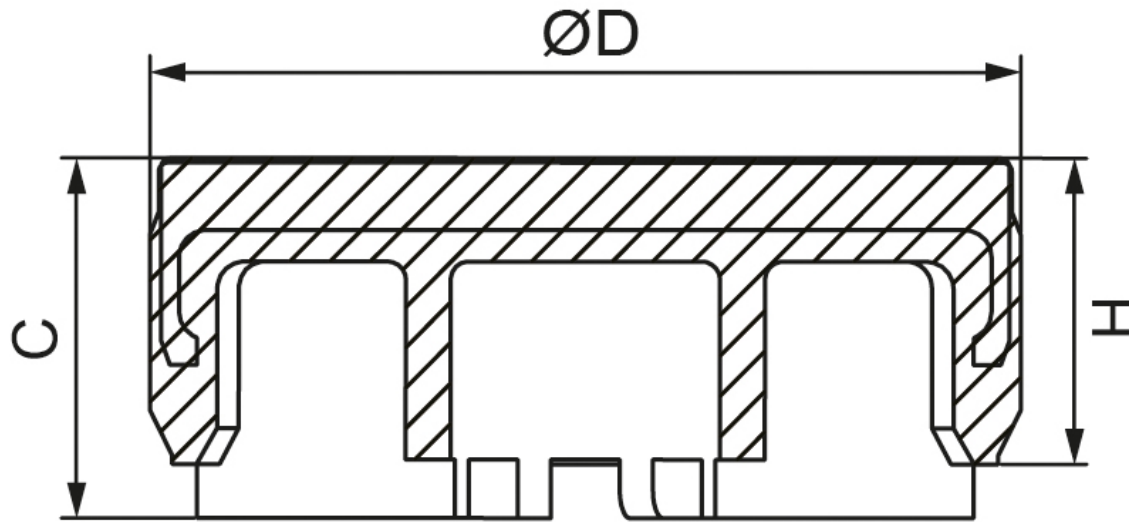
Plastic support after hammering
(8 supporting block become deformed,
and fit with the screw.)



General Data

Designation	Compatible with	Screw Type
MPC-A4	AR15 , WRC21/15, WRC27/20	M4
MPC-A5	AR20	M5
MPC-A6	AR25	M6
MPC-A8	AR30 , AR35	M8
MPC-A12	AR45	M12
MPC-A14	AR55	M14

Dimensions



Designation	H	C	D
MPC-A4	1.7	2.0	7.7
MPC-A5	3.4	4.0	9.7
MPC-A6	2.9	3.5	11.3
MPC-A8	3.9	4.5	14.3
MPC-A12	5.0	5.6	20.4
MPC-A14	6.0	6.5	24.4

RA Grease

NLGI grade 1.5

Clear grease based on synthetic oils and PTFE. Will fulfil all severe specifications from bearing manufacturers, industrial applications and vehicle producers. Very suitable for use where long service life is required and desired. The specific rheological properties of the lubricant will give very low good flow properties of the grease at extremely low temperatures, at the same time the high film strength and thickness will guarantee lubrication also at elevated temperatures. The type of PTFE used will adhere strongly to all surfaces lubricated and give a very low friction coefficient. The grease is water resistant, withstands oxidation, has very good mechanical stability, is completely non-toxic and provides a very wide application temperature range.

Temperature: -40 to +260 °C (application range)



General Data

Designation	Remark	Colour	Weight (g)
RA Grease NLGI 1.5	Cartridge package	Translucent white	400 g

Main body of Grease Gun

Option for Main body of Grease Gun: GG-400 for 400g volume grease pack.

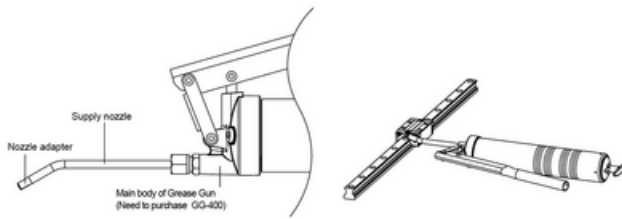


General Data

Designation	Pressure	Output Volume	Grease
GG-400	62Mpa	1.0~1.2 c.c/stroke	Suitable for 400g volume grease pack or bulk loading

Lubrication kit GP-PT1/8-01

The Lubrication Kit is with a supply nozzle (GT-1/8-M5) and three kinds of different nozzle adaptors (GH-M5-MR, GH-M5-06, GH-M5-08). The supply nozzle can be mount on the main body of common manual or pneumatic grease gun with PT1/8 tapped connector available on the market.



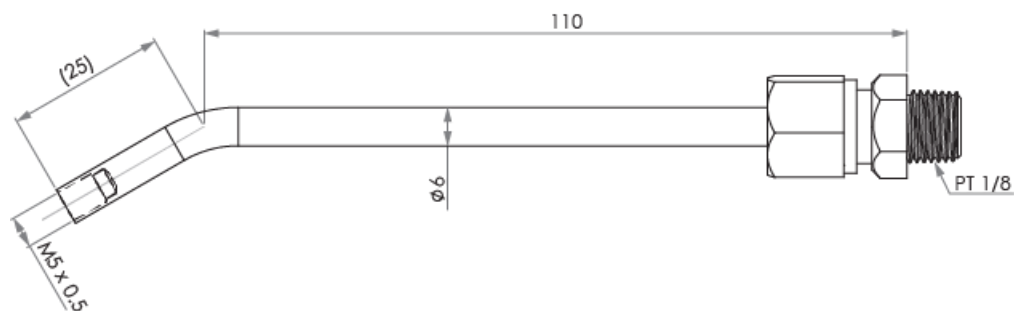
Nozzle adapter

Type	Dimension	Grease nipple		Unit: mm
GH-M5-MR		MR series Miniature linear guide size MR-15M - MR-15W MR-12M - MR-12W		
GH-M5-06		A-M3 A-M3-L		
		B-M3 B-M3-L		
GH-M5-08		A-M6 A-M6-L A-M6-XL		
		B-M6 B-M6-L B-M6-XL		
		B-PT1/8 B-PT1/8L		

Port sizes for grease nipple

Type	Port size		Top o-ring size
	Front	Side	
HRC/ARC 15	M3	M3	P3
HRC/ARC 20	M3	M3	P4
HRC/ARC/ERC 25	M6	M3	P4
HRC/ARC 30	M6	M6	P5
HRC/ARC 35	M6	M6	P5
HRC/ARC 45	PT1/8	M6	P5
HRC/ARC 55	M6	M6	P5
WRC 21/15	M3	M3	P3
WRC 27/20	M3	M3	P4

General Data



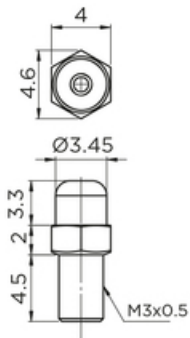
Designation	Description
Lubrication kit GP-PT1/8-01	Nozzle adaptors (GH-M5-MR, GH-M5-06, GH-M5-08) included

Standard grease nipple

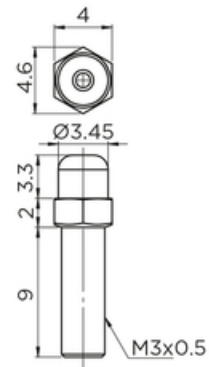
When external NBR seal is chosen (SN), please use long type grease nipple.



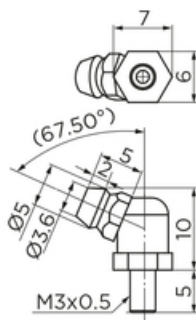
A-M3



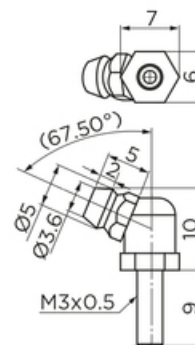
A-M3-L



B-M3

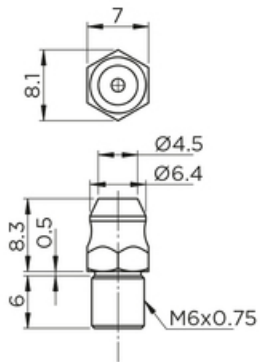


B-M3-L

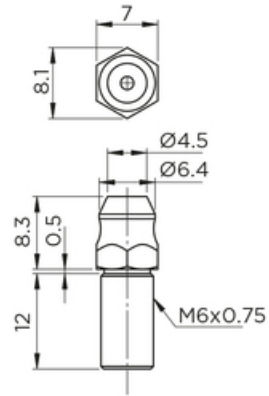


Standard grease nipple

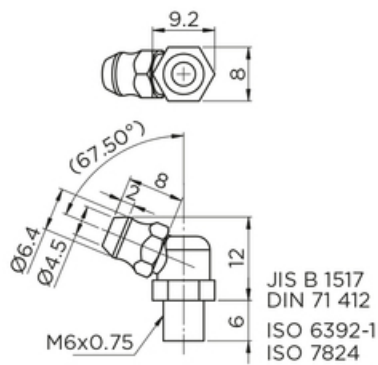
A-M6



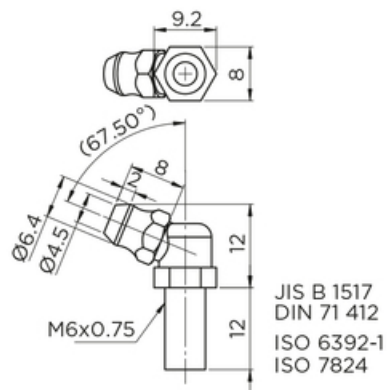
A-M6-L



B-M6

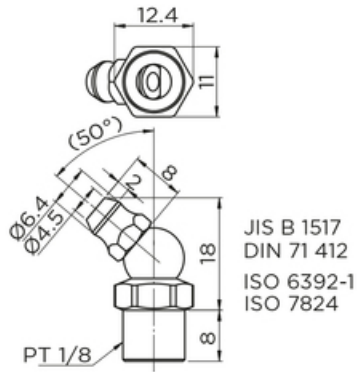


B-M6-L

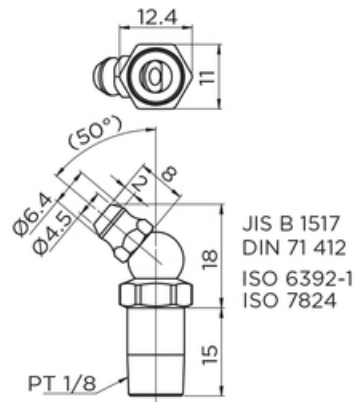


Standard grease nipple

B-PT1/8



B-PT1/8-L



Port sizes for grease nipple

Type	Port size		Top o-ring size
	Front	Side	
HRC/ARC 15	M3	M3	P3
HRC/ARC 20	M3	M3	P4
HRC/ARC/ERC 25	M6	M3	P4
HRC/ARC 30	M6	M6	P5
HRC/ARC 35	M6	M6	P5
HRC/ARC 45	PT1/8	M6	P5
HRC/ARC 55	M6	M6	P5
WRC 21/15	M3	M3	P3
WRC 27/20	M3	M3	P4

General Data

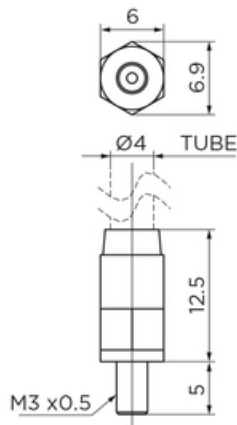
Designation	Compatible with	Remark	Thread	Type
A-M3	Block size 15	-	M3x0.5	Normal
A-M3-L	Block size 15	For block with external seal (SN)	M3x0.5	Normal
B-M3	Block size 20	-	M3x0.5	Normal
B-M3-L	Block size 20	For block with external seal (SN)	M3x0.5	Long
A-M6	Block size 25, 30, 35 & 55	-	M6x0.75	Normal
A-M6-L	Block size 25, 30, 35 & 55	For block with external seal (SN)	M6x0.75	Long
B-M6	Block size 25, 30, 35 & 55	-	M6x0.75	Normal
B-M6-L	Block size 25, 30, 35 & 55	For block with external seal (SN)	M6x0.75	Long
B-PT1/8	Block size 45	-	PT 1/8	Normal
B-PT1/8-L	Block size 45	For block with external seal (SN)	PT 1/8	Long

Optional straight adapter

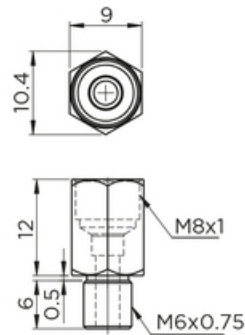
When external NBR seal is chosen (SN), please use long type straight adapter.



OA-M3-D4

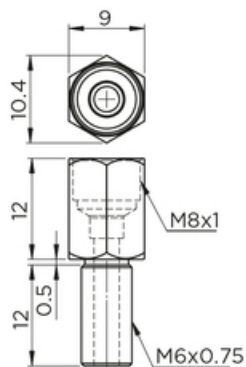


OA-M6-M8



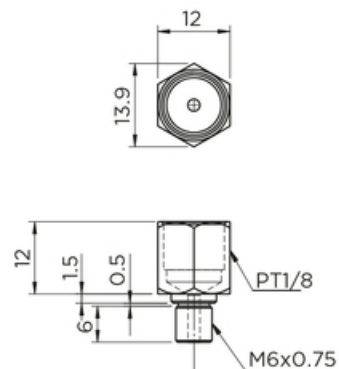
Ø 4 Oil hole grease injector available

OA-M6-M8-L



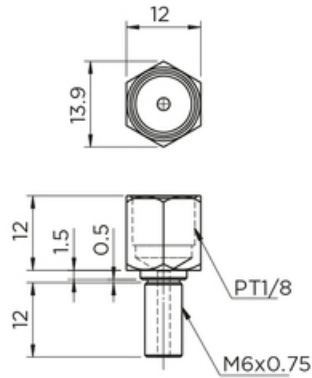
Ø 4 Oil hole grease injector available

OA-M6-PT1/8

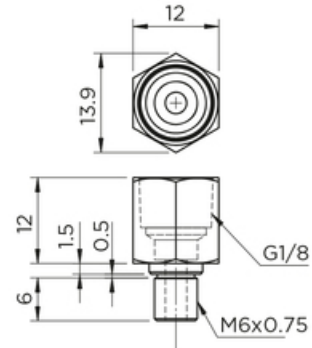


Optional straight adapter

OA-M6-PT1/8-L

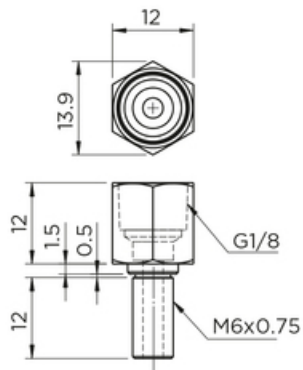


OA-M6-G1/8



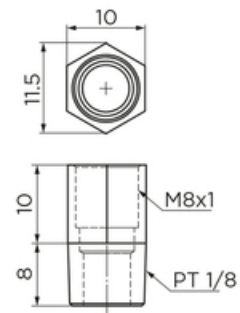
Ø 6 Oil hole grease injector available

OA-M6-G1/8-L



Ø 6 Oil hole grease injector available

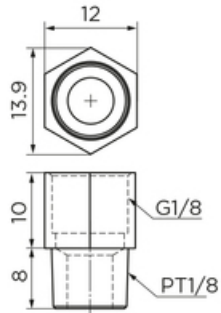
OA-PT1/8-M8



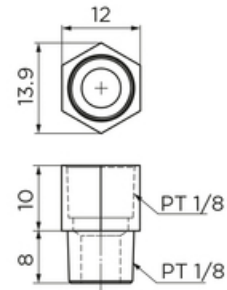
Ø 4 Oil hole grease injector available

Optional straight adapter

OA-PT1/8-G1/8



OA-PT1/8-PT1/8



Ø 6 Oil hole grease injector available

Port sizes for grease nipple

Type	Port size		Top o-ring size
	Front	Side	
HRC/ARC 15	M3	M3	P3
HRC/ARC 20	M3	M3	P4
HRC/ARC/ERC 25	M6	M3	P4
HRC/ARC 30	M6	M6	P5
HRC/ARC 35	M6	M6	P5
HRC/ARC 45	PT1/8	M6	P5
HRC/ARC 55	M6	M6	P5
WRC 21/15	M3	M3	P3
WRC 27/20	M3	M3	P4

General Data

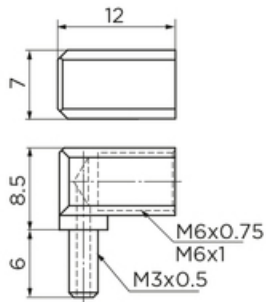
Designation	Compatible with	Remark	Thread	Type
OA-M3-D4	Block size 15 & 20	-	M3x0.5	Normal
OA-M6-M8	Block size 25, 30, 35 & 55	-	M6x0.75	Normal
OA-M6-M8-L	Block size 25, 30, 35 & 55	For block with external seal (SN)	M6x0.75	Long
OA-M6-PT1/8	Block size 30, 35 & 55	-	M6x0.75	Normal
OA-M6-PT1/8-L	Block size 30, 35 & 55	For block with external seal (SN)	M6x0.75	Long
OA-M6-G1/8	Block size 30, 35 & 55	-	M6x0.75	Normal
OA-M6-G1/8-L	Block size 30, 35 & 55	For block with external seal (SN)	M6x0.75	Long
OA-PT1/8-M8	Block size 45	-	PT 1/8	Normal
OA-PT1/8-PT1/8	Block size 45	-	PT 1/8	Normal
OA-PT1/8-G1/8	Block size 45	-	PT 1/8	Normal

Optional L-type adapter

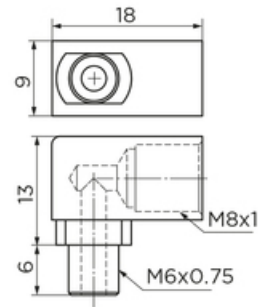
When external NBR seal is chosen (SN), please use long L-type adapter.



OB-M3-M6

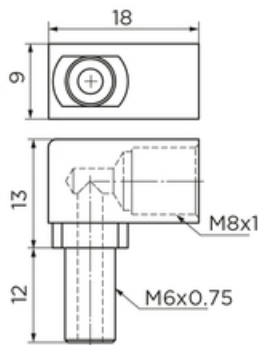


OB-M6-M8



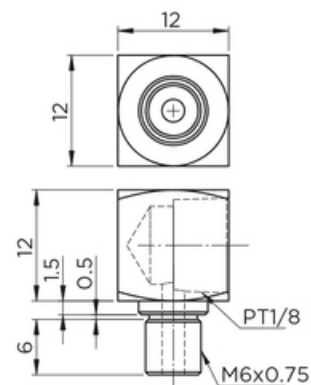
Ø 4 Oil hole grease injector available

OB-M6-M8-L



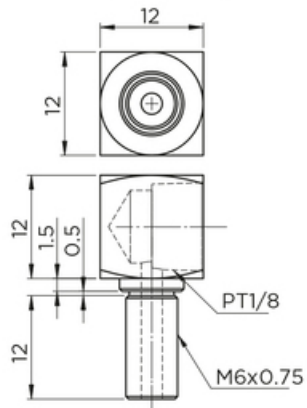
Ø 4 Oil hole grease injector available

OB-M6-PT1/8

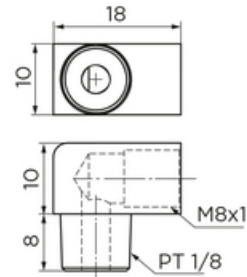


Optional L-type adapter

OB-M6-PT1/8- L

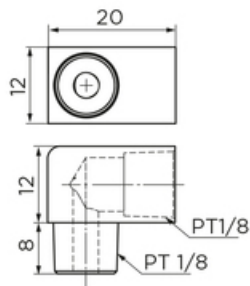


OB-PT1/8-M8



Ø 4 Oil hole grease injector available

OB-PT1/8-PT1/8



Port sizes for grease nipple

Type	Port size		Top o-ring size
	Front	Side	
HRC/ARC 15	M3	M3	P3
HRC/ARC 20	M3	M3	P4
HRC/ARC/ERC 25	M6	M3	P4
HRC/ARC 30	M6	M6	P5
HRC/ARC 35	M6	M6	P5
HRC/ARC 45	PT1/8	M6	P5
HRC/ARC 55	M6	M6	P5
WRC 21/15	M3	M3	P3
WRC 27/20	M3	M3	P4

General Data

Designation	Compatible with	Remark	Thread	Type
OB-M3-M6	Block size 15 & 20	-	M3x0.5	Normal
OB-M6-M8	Block size 25, 30, 35 & 55	-	M6x0.75	Normal
OB-M6-M8-L	Block size 25, 30, 35 & 55	For block with external seal (SN)	M6x0.75	Long
OB-M6-PT1/8	Block size 30, 35 & 55	-	M6x0.75	Normal
OB-M6-PT1/8- L	Block size 30, 35 & 55	For block with external seal (SN)	M6x0.75	Long
OB-PT1/8-M8	Block size 45	-	PT 1/8	Normal
OB-PT1/8-PT1/8	Block size 45	-	PT 1/8	Normal