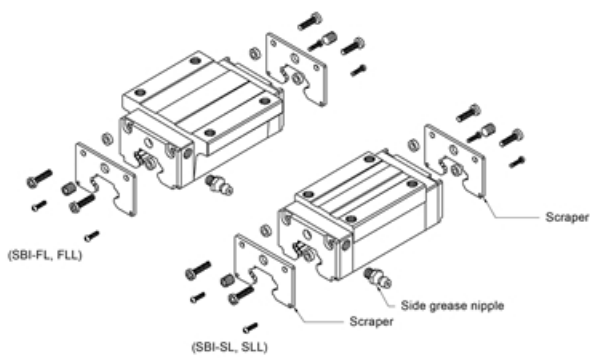


ZZ Steel Scraper

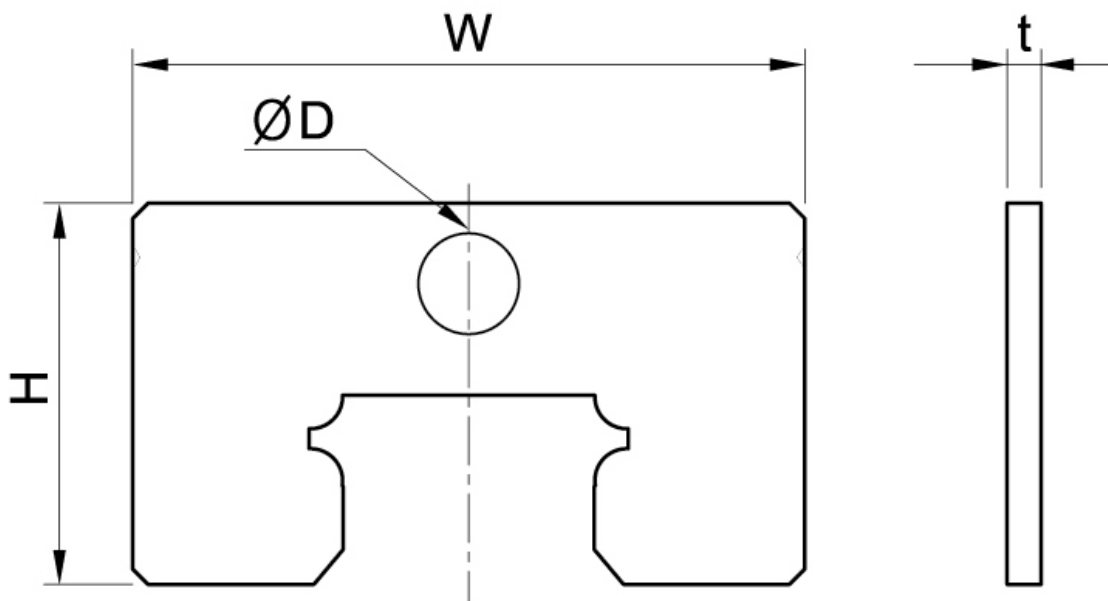
Steel scrapers can be added to the additional rubber-seals. Blocks with side-nipple can be supplied.

For all blocks ordered with both MF lubrication system and the steel scraper, the blocks will be supplied with side nipple. Please contact Rollco for more information.

Dimensions in mm.



General Data



Designation	Block Type	W	t	H	D
SBI15-ZZA	FL/FLL/HL/HLL/SL/SLL/FV/SV	33.4	1.2	20.2	4
SBI20-ZZA	FL/FLL/SL/SLL	43.4	1.2	24.6	6.5
SBI20-ZZB	CL/CLL/FV/SV	43.4	1.2	22.6	6.5
SBI25-ZZA	FL/FLL/HL/HLL/SL/SLL	47	1.2	29.7	6.5
SBI25-ZZB	CL/CLL/FV/SV	47	1.2	26.7	6.5
SBI30-ZZA	FL/FLL/HL/HLL/SL/SLL	59	1.2	34.2	6.5
SBI35-ZZA	FL/FLL/HL/HLL/SL/SLL	69	1.2	39.7	6.5
SBI45-ZZA	FL/FLL/HL/HLL/SL/SLL	85	1.2	49.7	10.5
SBI55-ZZA	FL/FLL/HL/HLL/SL/SLL	98	1.2	56	10.5
SBI65-ZZA	FL/FLL/SL/SLL	123	1.2	69	10.5