

Table of contents

- **MR-M ZUE Series**
- **MR-W ZUE Series**
- **MR-M SS Series**
- **MR-W SS Series**
- **Standard MR-M Rail**
- **Wide MR-W Rail**
- **Standard MRU-M Rail**
- **Wide MRU-W Rail**
- **Lubrication syringe**
- **RA Grease**

MR-M ZUE Series

Standard narrow rail type
End seal, bottom seal, reinforcement plate, lubrication storage.

This product is available in different preload and accuracy classes (see more in Technical Information). Please note that we do not have versions with all preload or accuracy classes on stock.

Dimensions in mm.

See MR-M SS for sizes 3 and 7.

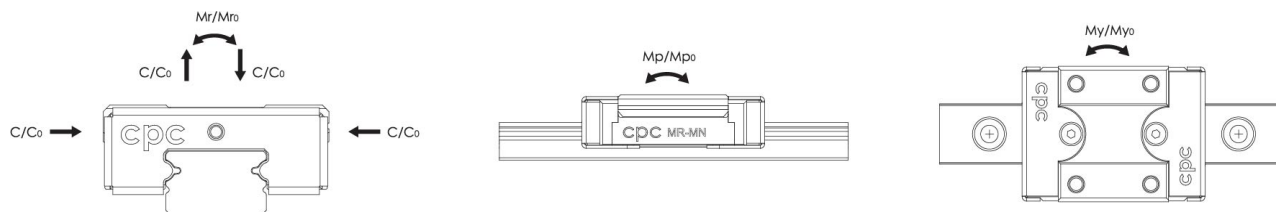
Please note that blocks and rails are not sold separately for sizes 2,3 and 5. Due to the small dimensions, blocks and sliders must be assembled and matched carefully to ensure correct quality and tolerances.

Lead times in the table below are only indications. Choice of preload, accuracy class and other options will affect lead time. Please contact us for exact delivery time for your request.

Material: Stainless steel



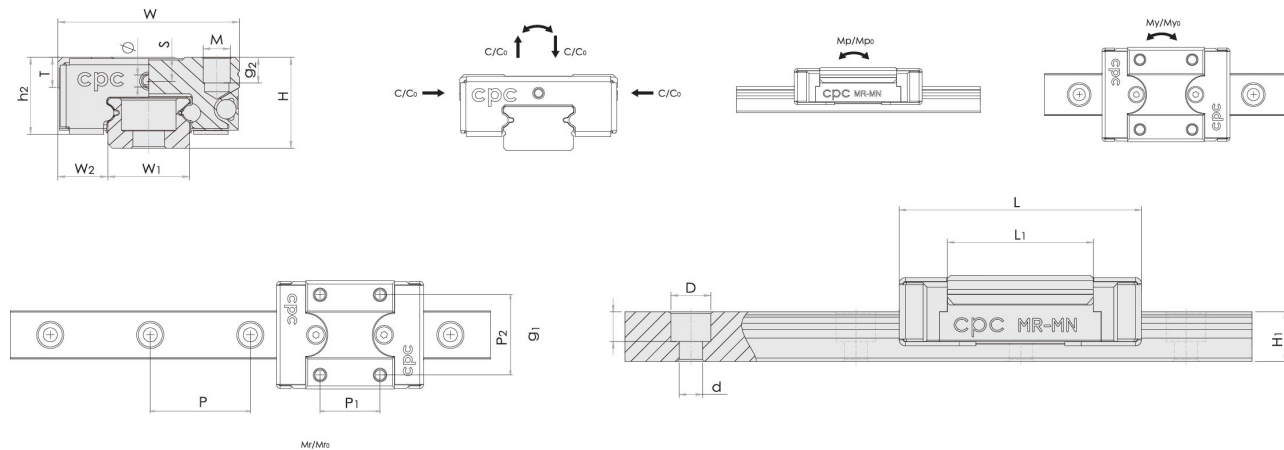
General Data



| Designation | Dynamic Load Capacity C (N) | Static Load Capacity C0 (N) | Static Moment Mr0 (Nm) | Static Moment Mp0 (Nm) | Static Moment My0 (Nm) |
|-------------|-----------------------------|-----------------------------|------------------------|------------------------|------------------------|
| MRU2MN-ZU | 158 | 349 | 0.43 | 0.54 | 0.54 |
| MR5MN-ZUE | 335 | 550 | 1.7 | 1 | 1 |
| MR5ML-ZUE | 470 | 900 | 2.4 | 2.1 | 2.1 |
| MR9MN-ZUE | 1570 | 2495 | 11.7 | 6.4 | 6.4 |
| MR9ML-ZUE | 2135 | 3880 | 18.2 | 12.4 | 12.4 |
| MR12MN-ZUE | 2308 | 3465 | 21.5 | 12.9 | 12.9 |
| MR12ML-ZUE | 3240 | 5630 | 34.9 | 30.2 | 30.2 |
| MR15MN-ZUE | 3810 | 5590 | 43.6 | 27 | 27 |
| MR15ML-ZUE | 5350 | 9080 | 70 | 63.3 | 63.3 |

| Designation | Dynamic Moment Mr (Nm) | Dynamic Moment Mp (Nm) | Dynamic Moment My (Nm) | Weight Block (g) |
|-------------|------------------------|------------------------|------------------------|------------------|
| MRU2MN-ZU | 0.19 | 0.24 | 0.24 | 0.8 |
| MR5MN-ZUE | 1 | 0.61 | 0.61 | 3.5 |
| MR5ML-ZUE | 1.25 | 1.1 | 1.1 | 4 |
| MR9MN-ZUE | 7.4 | 4 | 4 | 18 |
| MR9ML-ZUE | 10 | 6.8 | 6.8 | 28 |
| MR12MN-ZUE | 14.3 | 8.6 | 8.6 | 34 |
| MR12ML-ZUE | 20.1 | 17.4 | 17.4 | 51 |
| MR15MN-ZUE | 29.7 | 18.4 | 18.4 | 61 |
| MR15ML-ZUE | 41.2 | 37.3 | 37.3 | 90 |

Dimensions



| Designation | L | H | W | L1 | H1 | h2 | W1 | W2 | S |
|-------------|------|-----|----|------|-----|------|----|-----|-----|
| MRU2MN-ZU | 12.5 | 3.2 | 6 | 8.8 | 2 | 2.6 | 2 | 2 | - |
| MR5MN-ZUE | 16.8 | 6 | 12 | 10 | 3.5 | 5 | 5 | 3.5 | 1.3 |
| MR5ML-ZUE | 20.3 | 6 | 12 | 13.5 | 3.5 | 5.1 | 5 | 3.5 | 1.3 |
| MR9MN-ZUE | 31.9 | 10 | 20 | 20.5 | 5.5 | 8.7 | 9 | 5.5 | 2.2 |
| MR9ML-ZUE | 42 | 10 | 20 | 30.8 | 5.5 | 8.6 | 9 | 5.5 | 2.2 |
| MR12MN-ZUE | 37 | 13 | 27 | 22 | 7.5 | 11.2 | 12 | 7.5 | 3.2 |
| MR12ML-ZUE | 49 | 13 | 27 | 34 | 7.5 | 11.1 | 12 | 7.5 | 3.2 |
| MR15MN-ZUE | 45.1 | 16 | 32 | 27 | 9.5 | 13.3 | 15 | 8.5 | 3.3 |
| MR15ML-ZUE | 62 | 16 | 32 | 44 | 9.5 | 13.1 | 15 | 8.5 | 3.3 |

| Designation | T | D x d x g1 | Hole Pitch (P) | M x g2 | P1 | P2 | ϕ |
|-------------|-----|---------------|----------------|----------|----|----|--------|
| MRU2MN-ZU | - | M1 | 8 | M1.4x1.1 | 4 | - | - |
| MR5MN-ZUE | 2 | 3.5 x 2.4 x 1 | 15 | M2x1.5 | - | 8 | 0.7 |
| MR5ML-ZUE | 2 | 3.5 x 2.4 x 1 | 15 | M2.6x2.0 | 7 | - | 0.7 |
| MR9MN-ZUE | 3.3 | 6 x 3.5 x 3.5 | 20 | M3x3.0 | 10 | 15 | 1.3 |
| MR9ML-ZUE | 3.3 | 6 x 3.5 x 3.5 | 20 | M3x3.0 | 16 | 15 | 1.3 |
| MR12MN-ZUE | 4.3 | 6 x 3.5 x 4.5 | 25 | M3x3.5 | 15 | 20 | 1.3 |
| MR12ML-ZUE | 4.3 | 6 x 3.5 x 4.5 | 25 | M3x3.5 | 20 | 20 | 1.3 |
| MR15MN-ZUE | 4.3 | 6 x 3.5 x 4.5 | 40 | M3x5.5 | 20 | 25 | 1.8 |
| MR15ML-ZUE | 4.3 | 6 x 3.5 x 4.5 | 40 | M3x5.5 | 25 | 25 | 1.8 |

MR-W ZUE Series

Wide rail type

End seal, bottom seal, reinforcement plate, lubrication storage.

This product is available in different preload and accuracy classes (see more in Technical Information). Please note that we do not have versions with all preload or accuracy classes on stock.

Dimensions in mm.

See MR-W SS for sizes 3 and 5.

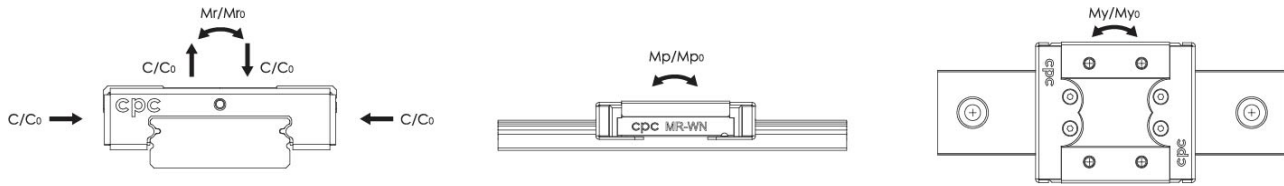
Please note that blocks and rails are not sold separately for sizes 2,3 and 5. Due to the small dimensions, blocks and sliders must be assembled and matched carefully to ensure correct quality and tolerances.

Lead times in the table below are only indications. Choice of preload, accuracy class and other options will affect lead time. Please contact us for exact delivery time for your request.

Material: Stainless steel



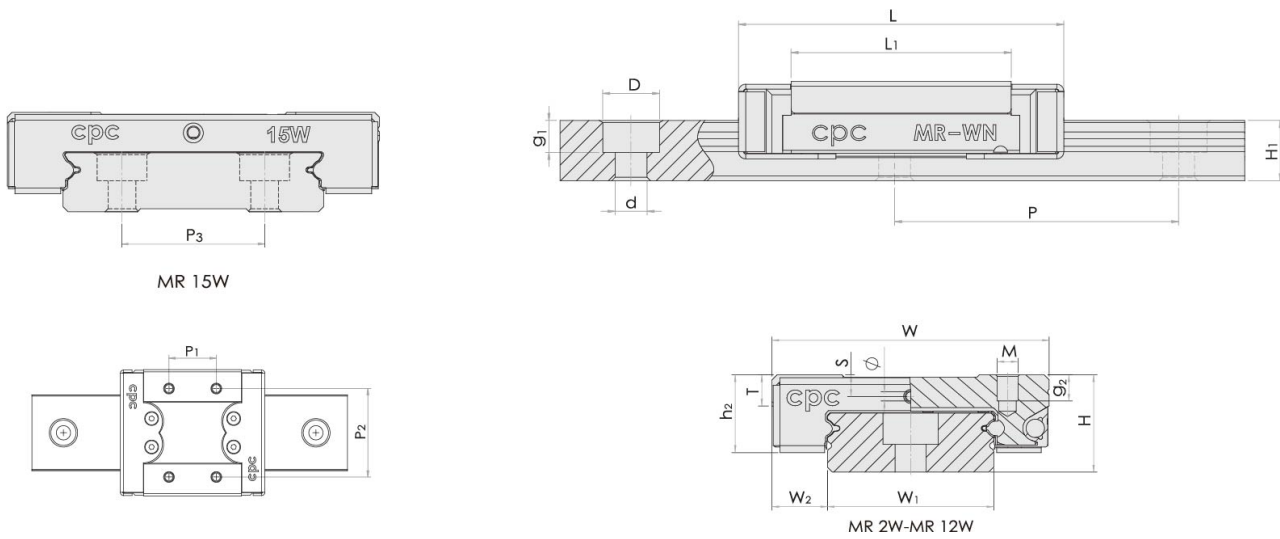
General Data



| Designation | Dynamic Load Capacity C (N) | Static Load Capacity C0 (N) | Static Moment Mr0 (Nm) | Static Moment Mp0 (Nm) | Static Moment My0 (Nm) |
|-------------|-----------------------------|-----------------------------|------------------------|------------------------|------------------------|
| MR2WL-ZUE | 310 | 625 | 1.6 | 1.2 | 1.2 |
| MR7WN-ZUE | 1180 | 2095 | 15 | 7.3 | 7.3 |
| MR7WL-ZUE | 1570 | 3140 | 22.65 | 14.9 | 14.9 |
| MR9WN-ZUE | 2030 | 3605 | 33.2 | 13.7 | 13.7 |
| MR9WL-ZUE | 2550 | 4990 | 45.9 | 26.7 | 26.7 |
| MR12WN-ZUE | 3065 | 5200 | 63.7 | 26.3 | 26.3 |
| MR12WL-ZUE | 4070 | 7800 | 95.6 | 56.4 | 56.4 |
| MR15WN-ZUE | 5065 | 8385 | 171.1 | 45.7 | 45.7 |
| MR15WL-ZUE | 6725 | 12580 | 257.6 | 93.1 | 93.1 |

| Designation | Dynamic Moment Mr (Nm) | Dynamic Moment Mp (Nm) | Dynamic Moment My (Nm) | Weight Block (g) |
|-------------|------------------------|------------------------|------------------------|------------------|
| MR2WL-ZUE | 0.79 | 0.6 | 0.6 | 3 |
| MR7WN-ZUE | 8.4 | 4.1 | 4.1 | 19 |
| MR7WL-ZUE | 11.3 | 7.5 | 7.5 | 27 |
| MR9WN-ZUE | 18.7 | 7.7 | 7.7 | 37 |
| MR9WL-ZUE | 23.5 | 13.6 | 13.6 | 51 |
| MR12WN-ZUE | 37.5 | 15.5 | 15.5 | 68 |
| MR12WL-ZUE | 49.9 | 29.4 | 29.4 | 96 |
| MR15WN-ZUE | 103.4 | 27.6 | 27.6 | 140 |
| MR15WL-ZUE | 137.7 | 49.8 | 49.8 | 203 |

Dimensions



| Designation | L | H | W | L1 | H1 | h2 | W1 | W2 | S |
|-------------|------|----|----|------|-----|------|----|-----|-----|
| MR2WL-ZUE | 17.5 | 4 | 10 | 11.9 | 3 | 3.4 | 4 | 3 | - |
| MR7WN-ZUE | 32.8 | 9 | 25 | 21.2 | 5.2 | 7.9 | 14 | 5.5 | 1.9 |
| MR7WL-ZUE | 41.6 | 9 | 25 | 30.1 | 5.2 | 7.9 | 14 | 5.5 | 1.9 |
| MR9WN-ZUE | 40.4 | 12 | 30 | 27.9 | 7.3 | 9.5 | 18 | 6 | 2.6 |
| MR9WL-ZUE | 51.9 | 12 | 30 | 39.5 | 7.3 | 9.6 | 18 | 6 | 2.6 |
| MR12WN-ZUE | 46.1 | 14 | 40 | 31 | 8.5 | 11.5 | 24 | 8 | 3.1 |
| MR12WL-ZUE | 61.1 | 14 | 40 | 46 | 8.5 | 11.4 | 24 | 8 | 3.1 |
| MR15WN-ZUE | 57.5 | 16 | 60 | 38.5 | 9.5 | 13.2 | 42 | 9 | 3.3 |
| MR15WL-ZUE | 76.5 | 16 | 60 | 57.6 | 9.5 | 13.2 | 42 | 9 | 3.3 |

| Designation | T | D x d x g1 | Hole Pitch (P) | M x g2 | P1 | P2 | P3 | Ø |
|-------------|-----|-----------------|----------------|--------|-----|----|----|-----|
| MR2WL-ZUE | 1.3 | 2.8 x 1.8 x 1.0 | 10 | M2x1.3 | 6.5 | - | - | - |
| MR7WN-ZUE | 3.2 | 6 x 3.5 x 3.5 | 30 | M3x3 | 10 | 19 | - | 1.1 |
| MR7WL-ZUE | 3.2 | 6 x 3.5 x 3.5 | 30 | M3x3 | 19 | 19 | - | 1.1 |
| MR9WN-ZUE | 4 | 6 x 3.5 x 4.5 | 30 | M3x3 | 12 | 21 | - | 1.3 |
| MR9WL-ZUE | 4 | 6 x 3.5 x 4.5 | 30 | M3x3 | 24 | 23 | - | 1.3 |
| MR12WN-ZUE | 4.5 | 8 x 4.5 x 4.5 | 40 | M3x3.5 | 15 | 28 | - | 1.3 |
| MR12WL-ZUE | 4.5 | 8 x 4.5 x 4.5 | 40 | M3x3.5 | 28 | 28 | - | 1.3 |
| MR15WN-ZUE | 4.5 | 8 x 4.5 x 4.5 | 40 | M4x4.5 | 20 | 45 | 23 | 1.8 |
| MR15WL-ZUE | 4.5 | 8 x 4.5 x 4.5 | 40 | M4x4.5 | 35 | 45 | 23 | 1.8 |

MR-M SS Series

Standard narrow rail type
End seal

This product is available in different preload and accuracy classes (see more in Technical Information). Please note that we do not have versions with all preload or accuracy classes on stock.

Dimensions in mm.

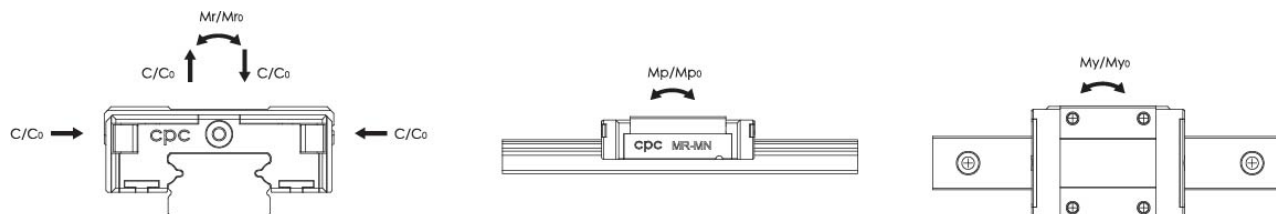
Please note that blocks and rails are not sold separately for sizes 2,3 and 5. Due to the small dimensions, blocks and sliders must be assembled and matched carefully to ensure correct quality and tolerances.

Lead times in the table below are only indications. Choice of preload, accuracy class and other options will affect lead time. Please contact us for exact delivery time for your request.

Material: Stainless steel



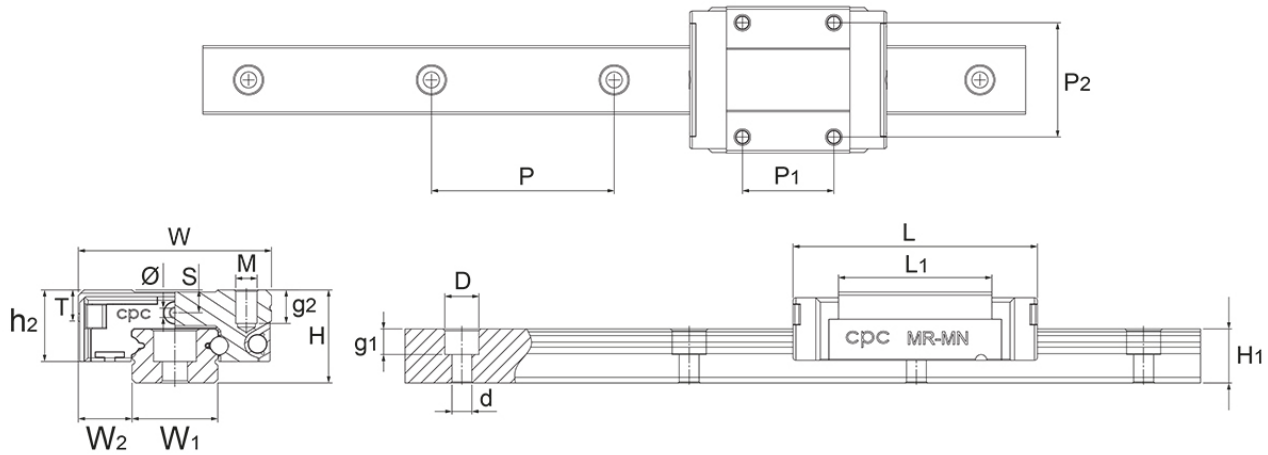
General Data



| Designation | Dynamic Load Capacity C (N) | Static Load Capacity C0 (N) | Static Moment Mr0 (Nm) | Static Moment Mp0 (Nm) | Static Moment My0 (Nm) |
|-------------|-----------------------------|-----------------------------|------------------------|------------------------|------------------------|
| MRU2MN-SU | 158 | 349 | 0.43 | 0.54 | 0.54 |
| MRU3MN-SS | 190 | 310 | 0.6 | 0.4 | 0.4 |
| MRU3ML-SS | 295 | 575 | 0.9 | 1.1 | 1.1 |
| MR5MN-SS | 335 | 550 | 1.7 | 1 | 1 |
| MR5ML-SS | 470 | 900 | 2.4 | 2.1 | 2.1 |
| MR7MN-SS | 890 | 1440 | 5.2 | 3.3 | 3.3 |
| MR7ML-SS | 1310 | 2440 | 9 | 7.7 | 7.7 |
| MR9MN-SS | 1570 | 2495 | 11.7 | 6.4 | 6.4 |
| MR9ML-SS | 2135 | 3880 | 18.2 | 12.4 | 12.4 |
| MR12MN-SS | 2308 | 3465 | 21.5 | 12.9 | 12.9 |
| MR12ML-SS | 3240 | 5630 | 34.9 | 30.2 | 30.2 |
| MR15MN-SS | 3810 | 5590 | 43.6 | 27 | 27 |
| MR15ML-SS | 5350 | 9080 | 70 | 63.3 | 63.3 |

| Designation | Dynamic Moment Mr (Nm) | Dynamic Moment Mp (Nm) | Dynamic Moment My (Nm) | Weight Block (g) |
|-------------|------------------------|------------------------|------------------------|------------------|
| MRU2MN-SU | 0.19 | 0.24 | 0.24 | 0.8 |
| MRU3MN-SS | 0.37 | 0.25 | 0.25 | 0.9 |
| MRU3ML-SS | 0.46 | 0.56 | 0.56 | 1.2 |
| MR5MN-SS | 1 | 0.61 | 0.61 | 3.5 |
| MR5ML-SS | 1.25 | 1.1 | 1.1 | 4 |
| MR7MN-SS | 3.2 | 2 | 2 | 8 |
| MR7ML-SS | 4.8 | 4.1 | 4.1 | 14 |
| MR9MN-SS | 7.4 | 4 | 4 | 18 |
| MR9ML-SS | 10 | 6.8 | 6.8 | 28 |
| MR12MN-SS | 14.3 | 8.6 | 8.6 | 34 |
| MR12ML-SS | 20.1 | 17.4 | 17.4 | 51 |
| MR15MN-SS | 29.7 | 18.4 | 18.4 | 61 |
| MR15ML-SS | 41.2 | 37.3 | 37.3 | 90 |

Dimensions



| Designation | L | H | W | L1 | H1 | h2 | W1 | W2 | S |
|-------------|------|-----|----|------|-----|------|----|-----|-----|
| MRU2MN-SU | 12.5 | 3.2 | 6 | 8.8 | 2 | 2.6 | 2 | 2 | - |
| MRU3MN-SS | 11.9 | 4 | 8 | 6.7 | 2.6 | 3.2 | 3 | 2.5 | 0.7 |
| MRU3ML-SS | 16.1 | 4 | 8 | 11 | 2.6 | 3.2 | 3 | 2.5 | 0.7 |
| MR5MN-SS | 16.3 | 6 | 12 | 10 | 3.5 | 4.7 | 5 | 3.5 | 1.3 |
| MR5ML-SS | 19.7 | 6 | 12 | 13.5 | 3.5 | 4.6 | 5 | 3.5 | 1.3 |
| MR7MN-SS | 24.1 | 8 | 17 | 14.3 | 4.7 | 6.6 | 7 | 5 | 1.6 |
| MR7ML-SS | 31.5 | 8 | 17 | 21.8 | 4.7 | 6.7 | 7 | 5 | 1.6 |
| MR9MN-SS | 30.9 | 10 | 20 | 20.5 | 5.5 | 7.9 | 9 | 5.5 | 2.2 |
| MR9ML-SS | 41.1 | 10 | 20 | 30.8 | 5.5 | 8 | 9 | 5.5 | 2.2 |
| MR12MN-SS | 35.4 | 13 | 27 | 22 | 7.5 | 10.1 | 12 | 7.5 | 3.2 |
| MR12ML-SS | 47.8 | 13 | 27 | 34 | 7.5 | 10.2 | 12 | 7.5 | 3.2 |
| MR15MN-SS | 43.4 | 16 | 32 | 27 | 9.5 | 12.2 | 15 | 8.5 | 3.3 |
| MR15ML-SS | 60.2 | 16 | 32 | 44 | 9.5 | 12.2 | 15 | 8.5 | 3.3 |

| Designation | T | D x d x g1 | Hole Pitch (P) | M x g2 | P1 | P2 | ø |
|-------------|-----|-----------------|----------------|----------|-----|----|-----|
| MRU2MN-SU | - | M1 | 8 | M1.4x1.1 | 4 | - | - |
| MRU3MN-SS | 1.5 | M1.6 | 10 | M1.6x1.1 | 3.5 | - | 0.3 |
| MRU3ML-SS | 1.5 | M1.6 | 10 | M2x1.1 | 5.5 | - | 0.3 |
| MR5MN-SS | 2 | 3.5 x 2.4 x 1 | 15 | M2x1.5 | - | 8 | 0.7 |
| MR5ML-SS | 2 | 3.5 x 2.4 x 1 | 15 | M2.6x2.0 | 7 | - | 0.7 |
| MR7MN-SS | 2.8 | 4.2 x 2.4 x 2.3 | 15 | M2x2.5 | 8 | 12 | 1.1 |
| MR7ML-SS | 2.8 | 4.2 x 2.4 x 2.3 | 15 | M2x2.5 | 13 | 12 | 1.1 |
| MR9MN-SS | 3.3 | 6 x 3.5 x 3.5 | 20 | M3x3.0 | 10 | 15 | 1.3 |

Dimensions

| Designation | T | D x d x g1 | Hole Pitch (P) | M x g2 | P1 | P2 | ø |
|------------------|-----|---------------|----------------|--------|----|----|-----|
| MR9ML-SS | 3.3 | 6 x 3.5 x 3.5 | 20 | M3x3.0 | 16 | 15 | 1.3 |
| MR12MN-SS | 4.3 | 6 x 3.5 x 4.5 | 25 | M3x3.5 | 15 | 20 | 1.3 |
| MR12ML-SS | 4.3 | 6 x 3.5 x 4.5 | 25 | M3x3.5 | 20 | 20 | 1.3 |
| MR15MN-SS | 4.3 | 6 x 3.5 x 4.5 | 40 | M3x5.5 | 20 | 25 | 1.8 |
| MR15ML-SS | 4.3 | 6 x 3.5 x 4.5 | 40 | M3x5.5 | 25 | 25 | 1.8 |

MR-W SS Series

Wide rail type with end seal

This product is available in different preload and accuracy classes (see more in Technical Information). Please note that we do not have versions with all preload or accuracy classes on stock.

Dimensions in mm.

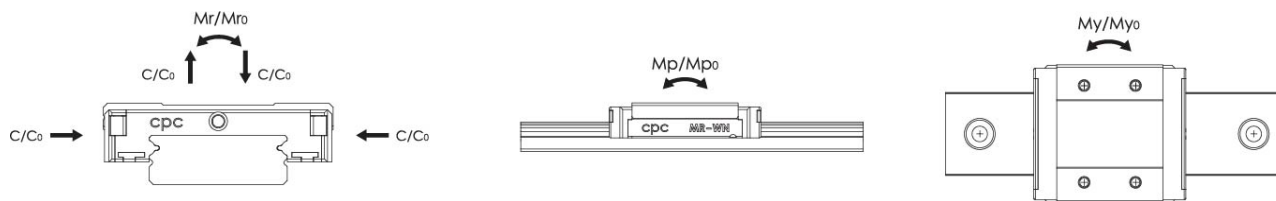
Please note that blocks and rails are not sold separately for sizes 2,3 and 5. Due to the small dimensions, blocks and sliders must be assembled and matched carefully to ensure correct quality and tolerances.

Lead times in the table below are only indications. Choice of preload, accuracy class and other options will affect lead time. Please contact us for exact delivery time for your request.

Material: Stainless steel



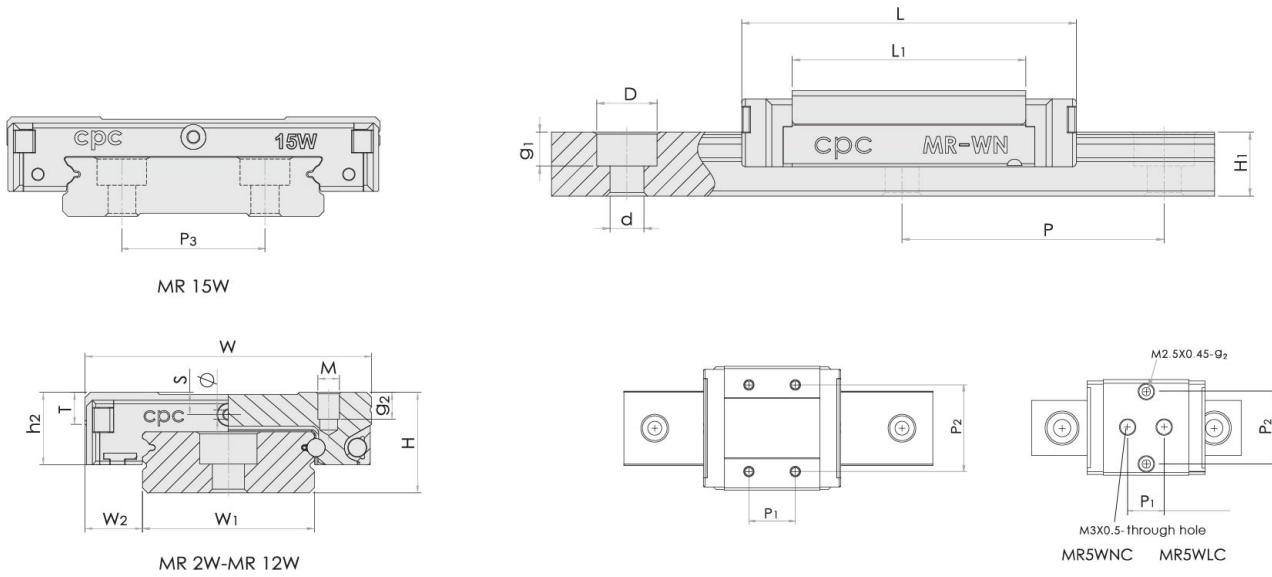
General Data



| Designation | Dynamic Load Capacity C (N) | Static Load Capacity C0 (N) | Static Moment Mr0 (Nm) | Static Moment Mp0 (Nm) | Static Moment My0 (Nm) |
|-------------|-----------------------------|-----------------------------|------------------------|------------------------|------------------------|
| MR2WL-SS | 310 | 625 | 1.6 | 1.2 | 1.2 |
| MR3WN-SS | 280 | 530 | 1.6 | 0.9 | 0.9 |
| MR3WL-SS | 370 | 800 | 2.5 | 1.9 | 1.9 |
| MR5WN-SS | 475 | 900 | 4.6 | 2.2 | 2.2 |
| MR5WL-SS | 615 | 1315 | 6.8 | 4.1 | 4.1 |
| MR7WN-SS | 1180 | 2095 | 15 | 7.3 | 7.3 |
| MR7WL-SS | 1570 | 3140 | 22.65 | 14.9 | 14.9 |
| MR9WN-SS | 2030 | 3605 | 33.2 | 13.7 | 13.7 |
| MR9WL-SS | 2550 | 4990 | 45.9 | 26.7 | 26.7 |
| MR12WN-SS | 3065 | 5200 | 63.7 | 26.3 | 26.3 |
| MR12WL-SS | 4070 | 7800 | 95.6 | 56.4 | 56.4 |
| MR15WN-SS | 5065 | 8385 | 171.1 | 45.7 | 45.7 |
| MR15WL-SS | 6725 | 12580 | 257.6 | 93.1 | 93.1 |

| Designation | Dynamic Moment Mr (Nm) | Dynamic Moment Mp (Nm) | Dynamic Moment My (Nm) | Weight Block (g) |
|-------------|------------------------|------------------------|------------------------|------------------|
| MR2WL-SS | 0.79 | 0.6 | 0.6 | 3 |
| MR3WN-SS | 0.85 | 0.48 | 0.48 | 3.4 |
| MR3WL-SS | 1.16 | 0.88 | 0.88 | 3.4 |
| MR5WN-SS | 2.4 | 1.16 | 1.16 | 6 |
| MR5WL-SS | 3.2 | 1.92 | 1.92 | 8 |
| MR7WN-SS | 8.4 | 4.1 | 4.1 | 19 |
| MR7WL-SS | 11.3 | 7.5 | 7.5 | 27 |
| MR9WN-SS | 18.7 | 7.7 | 7.7 | 37 |
| MR9WL-SS | 23.5 | 13.6 | 13.6 | 51 |
| MR12WN-SS | 37.5 | 15.5 | 15.5 | 65 |
| MR12WL-SS | 49.9 | 29.4 | 29.4 | 93 |
| MR15WN-SS | 103.4 | 27.6 | 27.6 | 137 |
| MR15WL-SS | 137.7 | 49.8 | 49.8 | 200 |

Dimensions



| Designation | L | H | W | L1 | H1 | h2 | W1 | W2 | S |
|-------------|------|-----|----|------|-----|------|----|-----|-----|
| MR2WL-SS | 17.4 | 4 | 10 | 11.9 | 2.6 | 3 | 4 | 3 | - |
| MR3WN-SS | 15.3 | 4.5 | 12 | 10 | 2.7 | 3.9 | 6 | 3 | 0.8 |
| MR3WL-SS | 20.3 | 4.5 | 12 | 15.1 | 2.7 | 3.9 | 6 | 3 | 0.8 |
| MR5WN-SS | 21.4 | 6.5 | 17 | 15.1 | 4 | 5.1 | 10 | 3.5 | 1.2 |
| MR5WL-SS | 27.6 | 6.5 | 17 | 21.2 | 4 | 5.1 | 10 | 3.5 | 1.2 |
| MR7WN-SS | 31.9 | 9 | 25 | 21.2 | 5.2 | 7.1 | 14 | 5.5 | 1.9 |
| MR7WL-SS | 40.8 | 9 | 25 | 30.1 | 5.2 | 7.1 | 14 | 5.5 | 1.9 |
| MR9WN-SS | 39.4 | 12 | 30 | 27.9 | 7.3 | 8.9 | 18 | 6 | 2.6 |
| MR9WL-SS | 50.8 | 12 | 30 | 39.4 | 7.3 | 8.8 | 18 | 6 | 2.6 |
| MR12WN-SS | 44.9 | 14 | 40 | 31.1 | 8.5 | 10.3 | 24 | 8 | 3.1 |
| MR12WL-SS | 60 | 14 | 40 | 46 | 8.5 | 10.3 | 24 | 8 | 3.1 |
| MR15WN-SS | 55.7 | 16 | 60 | 38.5 | 9.5 | 12.3 | 42 | 9 | 3.3 |
| MR15WL-SS | 74.9 | 16 | 60 | 57.6 | 9.5 | 12.3 | 42 | 9 | 3.3 |

| Designation | T | D x d x g1 | Hole Pitch (P) | M x g2 | P1 | P2 | P3 | ø |
|-------------|-----|-----------------|----------------|----------|-----|----|----|-----|
| MR2WL-SS | 1.3 | 2.8 x 1.8 x 1.0 | 10 | M2x1.3 | 6.5 | - | - | - |
| MR3WN-SS | 1.8 | 4 x 2.4 x 1.5 | 15 | M2x1.4 | 4.5 | - | - | 0.3 |
| MR3WL-SS | 1.8 | 4 x 2.4 x 1.5 | 15 | M2x1.4 | 8 | - | - | 0.3 |
| MR5WN-SS | 2.3 | 5.5 x 3 x 1.6 | 20 | M2.5x1.5 | 6.5 | 13 | - | 0.9 |
| MR5WL-SS | 2.3 | 5.5 x 3 x 1.6 | 20 | M2.5x1.5 | 11 | 13 | - | 0.9 |
| MR7WN-SS | 3.2 | 6 x 3.5 x 3.5 | 30 | M3x3 | 10 | 19 | - | 1.1 |
| MR7WL-SS | 3.2 | 6 x 3.5 x 3.5 | 30 | M3x3 | 19 | 19 | - | 1.1 |

Dimensions

| Designation | T | D x d x g1 | Hole Pitch (P) | M x g2 | P1 | P2 | P3 | ø |
|------------------|-----|---------------|----------------|--------|----|----|----|-----|
| MR9WN-SS | 4 | 6 x 3.5 x 4.5 | 30 | M3x3 | 12 | 21 | - | 1.3 |
| MR9WL-SS | 4 | 6 x 3.5 x 4.5 | 30 | M3x3 | 24 | 23 | - | 1.3 |
| MR12WN-SS | 4.5 | 8 x 4.5 x 4.5 | 40 | M3x3.5 | 15 | 28 | - | 1.4 |
| MR12WL-SS | 4.5 | 8 x 4.5 x 4.5 | 40 | M3x3.5 | 28 | 28 | - | 1.4 |
| MR15WN-SS | 4.5 | 8 x 4.5 x 4.5 | 40 | M4x4.5 | 20 | 45 | 23 | 1.9 |
| MR15WL-SS | 4.5 | 8 x 4.5 x 4.5 | 40 | M4x4.5 | 35 | 45 | 23 | 1.9 |

Standard MR-M Rail

Tapped from above.

Dimensions in mm.

Please note that blocks and rails are not sold separately for sizes 2 and 3. Due to the small dimensions, blocks and sliders must be assembled and matched carefully to ensure correct quality and tolerances.

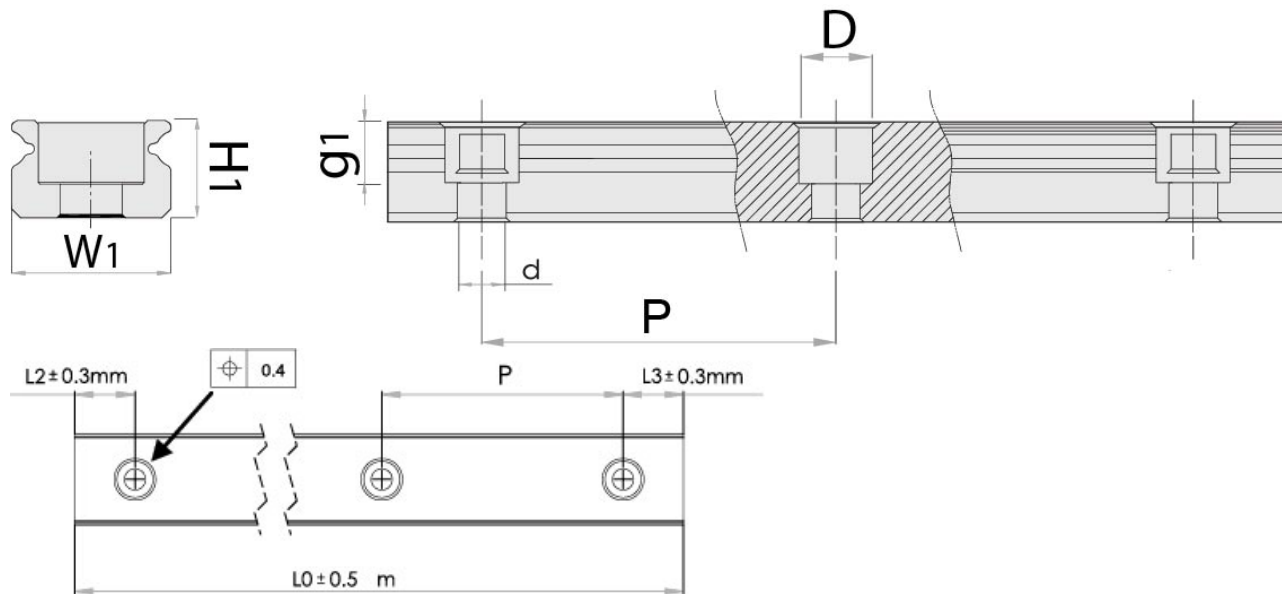
Material: Stainless steel



General Data

| Designation | Weight Rail (g/m) |
|--------------|-------------------|
| MR5M | 116 |
| MR7M | 215 |
| MR9M | 301 |
| MR12M | 602 |
| MR15M | 930 |

Dimensions



| Designation | H1 | W1 | D x d x g1 | Hole Pitch (P) |
|--------------|-----|----|-----------------|----------------|
| MR5M | 3.5 | 5 | 3.5 x 2.4 x 1 | 15 |
| MR7M | 4.7 | 7 | 4.2 x 2.4 x 2.3 | 15 |
| MR9M | 5.5 | 9 | 6 x 3.5 x 3.5 | 20 |
| MR12M | 7.5 | 12 | 6 x 3.5 x 4.5 | 25 |
| MR15M | 9.5 | 15 | 6 x 3.5 x 4.5 | 40 |

Wide MR-W Rail

Tapped from above.

Dimensions in mm.

Please note that blocks and rails are not sold separately for sizes 2 and 3. Due to the small dimensions, blocks and sliders must be assembled and matched carefully to ensure correct quality and tolerances.

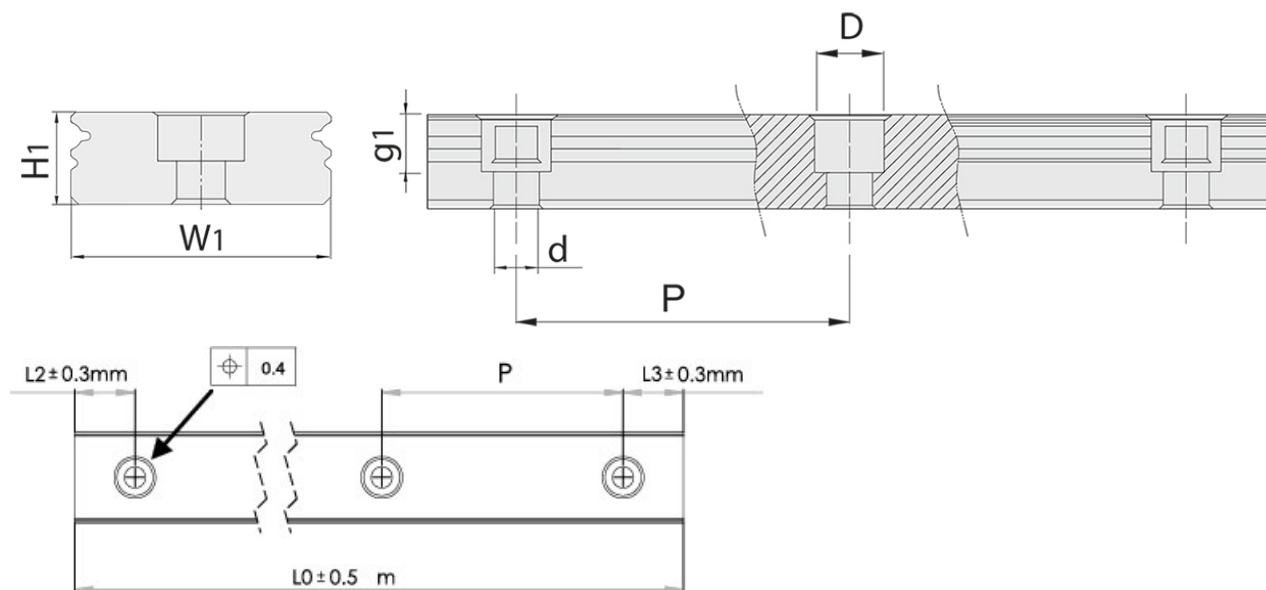
Material: Stainless steel



General Data

| Designation | Weight Rail (g/m) |
|-------------|-------------------|
| MR2W | 69 |
| MR3W | 105 |
| MR5W | 280 |
| MR7W | 516 |
| MR9W | 940 |
| MR12W | 1472 |
| MR15W | 2818 |

Dimensions



| Designation | H1 | W1 | D x d x g1 | Hole Pitch (P) |
|-------------|-----|----|-----------------|----------------|
| MR2W | 2.6 | 4 | 2.8 x 1.8 x 1.0 | 10 |
| MR3W | 2.7 | 6 | 4 x 2.4 x 1.5 | 15 |
| MR5W | 4 | 10 | 5.5 x 3 x 1.6 | 20 |
| MR7W | 5.2 | 14 | 6 x 3.5 x 3.5 | 30 |
| MR9W | 7.3 | 18 | 6 x 3.5 x 4.5 | 30 |
| MR12W | 8.5 | 24 | 8 x 4.5 x 4.5 | 40 |
| MR15W | 9.5 | 42 | 8 x 4.5 x 4.5 | 40 |

Standard MRU-M Rail

Tapped from bottom.

Dimensions in mm.

Please note that blocks and rails are not sold separately for sizes 2 and 3. Due to the small dimensions, blocks and sliders must be assembled and matched carefully to ensure correct quality and tolerances.

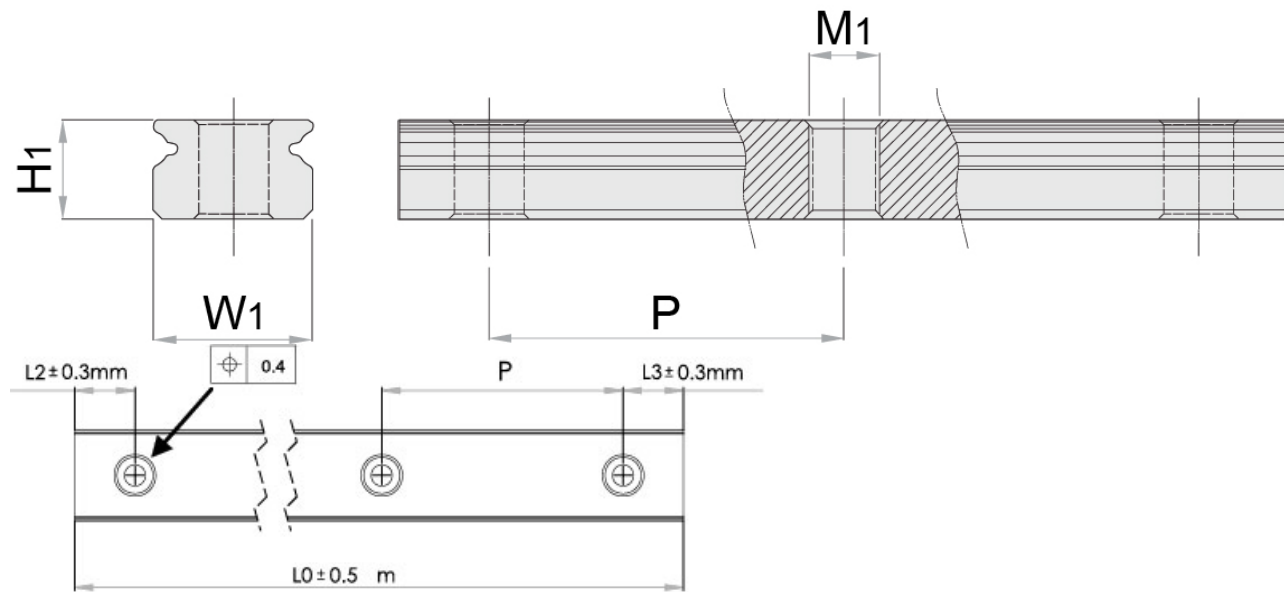
Material: Stainless steel



General Data

| Designation | Weight Rail (g/m) |
|-------------|-------------------|
| MRU2M | 28 |
| MRU3M | 53 |
| MRU5M | 116 |
| MRU7M | 215 |
| MRU9M | 301 |
| MRU12M | 602 |
| MRU15M | 930 |

Dimensions



| Designation | H1 | W1 | Hole Pitch (P) | M1 |
|-------------|-----|----|----------------|-----------|
| MRU2M | - | 2 | 8 | M1x0.25 |
| MRU3M | 2.6 | 3 | 10 | M1.6x0.35 |
| MRU5M | 3.5 | 5 | 15 | M3x0.5 |
| MRU7M | 4.7 | 7 | 15 | M3x0.5 |
| MRU9M | 5.5 | 9 | 20 | M4x0.7 |
| MRU12M | 7.5 | 12 | 25 | M4x0.7 |
| MRU15M | 9.5 | 15 | 40 | M4x0.7 |

Wide MRU-W Rail

Tapped from bottom.

Dimensions in mm.

Please note that blocks and rails are not sold separately for sizes 2 and 3. Due to the small dimensions, blocks and sliders must be assembled and matched carefully to ensure correct quality and tolerances.

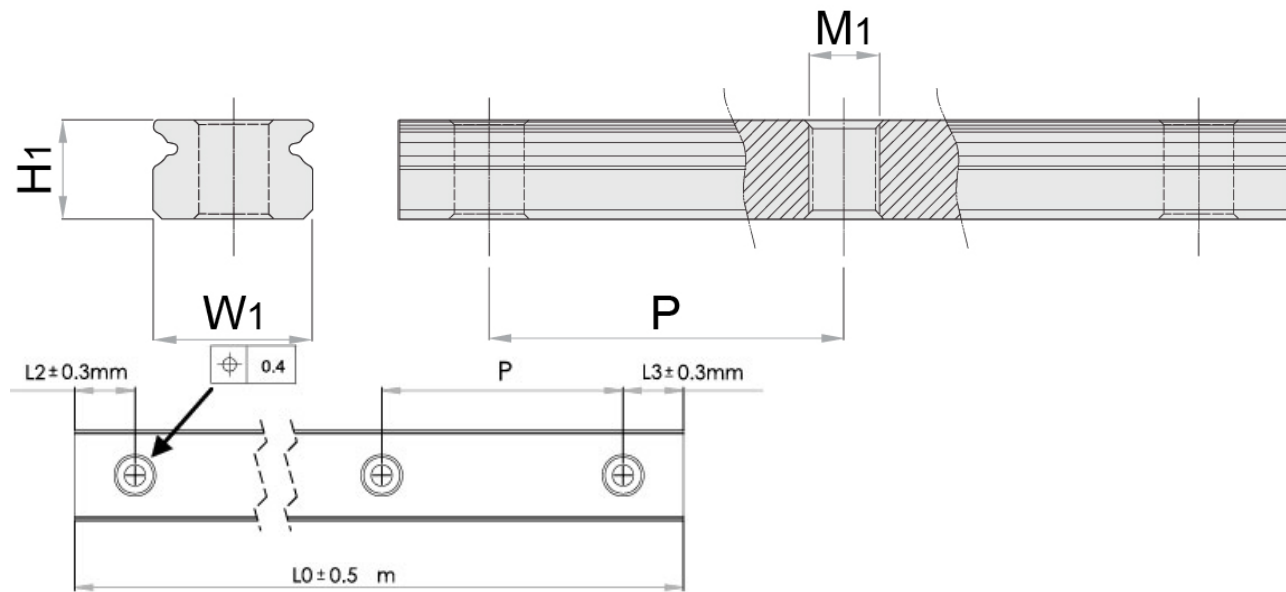
Material: Stainless steel



General Data

| Designation | Weight Rail (g/m) |
|-------------|-------------------|
| MRU3W | 105 |
| MRU5W | 280 |
| MRU7W | 516 |
| MRU9W | 940 |
| MRU12W | 1472 |
| MRU15W | 2818 |

Dimensions



| Designation | H1 | W1 | Hole Pitch (P) | M1 |
|-------------|-----|----|----------------|--------|
| MRU3W | 2.7 | 6 | 15 | M3x0.5 |
| MRU5W | 4 | 10 | 20 | M3x0.5 |
| MRU7W | 5.2 | 14 | 30 | M4x0.7 |
| MRU9W | 7.3 | 18 | 30 | M4x0.7 |
| MRU12W | 8.5 | 24 | 40 | M5x0.8 |
| MRU15W | 9.5 | 42 | 40 | M5x0.8 |

Lubrication syringe

Lubrication syringes are available in many different possible combinations, depending on type of grease (or oil) and the size of the needle pre-defined. A selection of these are presented in the table below. For other types, please contact Rollco.

Lubrication grease:

- 00 For general applications
- 01 For low-friction, low-noise applications
- 02 For clean room applications
- 03 For clean room and vacuum environment applications
- 04 For high-speed applications
- 05 For micro-oscillation applications

Lubrication oil:

For general applications, ISO V32-68



General Data

Lubrication Syringe

LUB - 01 - 18G

Lubricant

Lubrication grease:

00 (For general applications)

01 (For low-friction, low-noise applications)

02 (For clean room applications)

03 (For clean room and vacuum enviromen applicatioin)

04 (For-high speed applications)

05 (For micro-oscillation applications)

Lubrication oil:

11 (For general applications, ISO V32-68)

Needle model

21G (5M/5W)

19G (7M/7W)

18G (9M/9W/12M/12W)

15G (15M / 15W)

| Designation | Compatible with | Lubricant | Needle model |
|-------------|-----------------|---------------------------------|--------------|
| LUB-00-21G | MR5/MR5W | 00, for general applications | 21G |
| LUB-00-19G | MR7/MR7W | 00, for general applications | 19G |
| LUB-00-18G | MR9/MR9W | 00, for general applications | 18G |
| LUB-04-18G | MR12/MR12W | 04, for high-speed applications | 18G |
| LUB-00-15G | MR15/MR15W | 00, for general applications | 15G |

RA Grease

NLGI grade 1.5

Clear grease based on synthetic oils and PTFE. Will fulfil all severe specifications from bearing manufacturers, industrial applications and vehicle producers. Very suitable for use where long service life is required and desired. The specific rheological properties of the lubricant will give very low good flow properties of the grease at extremely low temperatures, at the same time the high film strength and thickness will guarantee lubrication also at elevated temperatures. The type of PTFE used will adhere strongly to all surfaces lubricated and give a very low friction coefficient. The grease is water resistant, withstands oxidation, has very good mechanical stability, is completely non-toxic and provides a very wide application temperature range.

Temperature: -40 to +260 °C (application range)



General Data

| Designation | Remark | Colour | Weight (g) |
|--------------------|-------------------|-------------------|------------|
| RA Grease NLGI 1.5 | Cartridge package | Translucent white | 400 g |