

## Corner Bracket Zn 40 Set 90°

**Application:**

For right-angled fixing of profiles without the need of machining the profiles.

**Supply:**

Set of Corner Bracket with Plastic Cap. M8 T-nuts, Washers D8 and K6S ISO7380 M8x16 screws included.

**Material:** GDZn (zinc diecasting), aluminium color

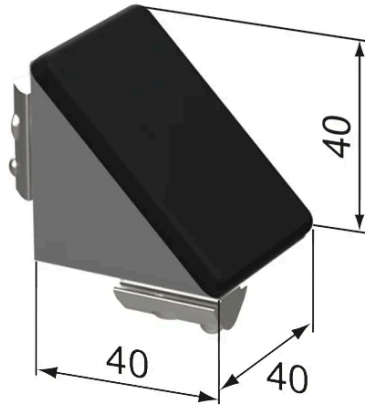
**System:** 40 - Slot 8

**Type:** Angles Brackets and Corners; Fasteners

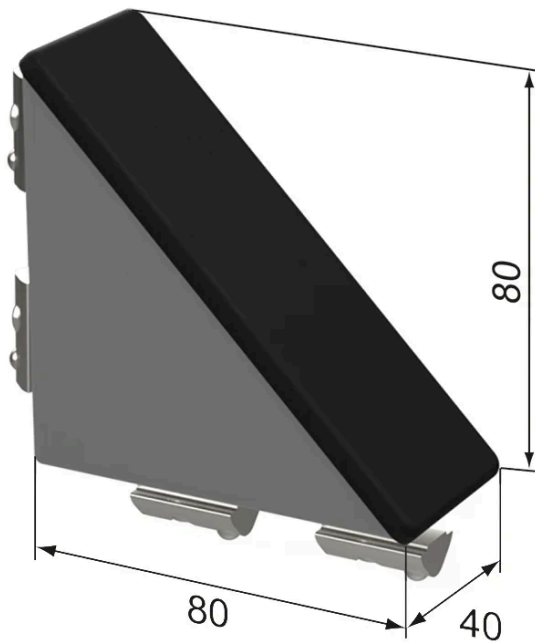




**General Data**



**RA1100**



**RA1115**

Designation	Description	System	Weight (g)	Remark
<b>RA1100</b>	Set Corner Bracket 40 x 40, complete	40 - Slot 8	141	Complete set
<b>RA1115</b>	Set Corner Bracket 40 x 80, complete	40 - Slot 8	388	Complete set