

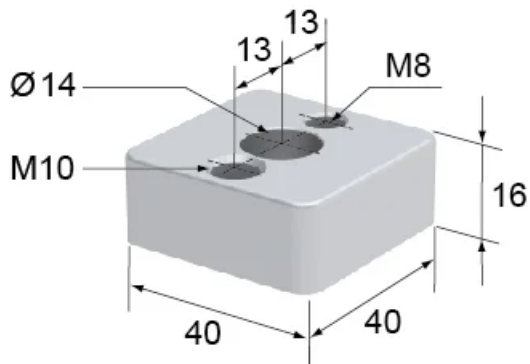
## Foot Plate 40 40x40 M10/M8

Frontal screwing into profiles offers support of ring bolts, castors and adjustable feet

**Material:** Steel, zinc-plated

**System:** 40 - Slot 8

**Type:** Foot Plates



## General Data

Designation	Description	System
RA1005	Foot Plate 40 40x40 M10/M8	40 - Slot 8