

## Sealing Rubbers

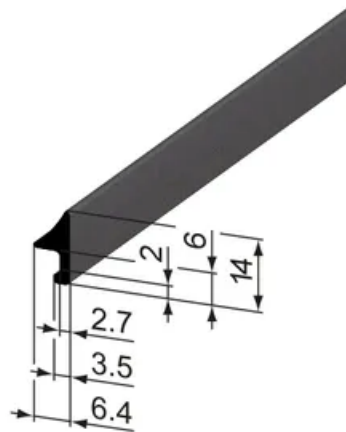
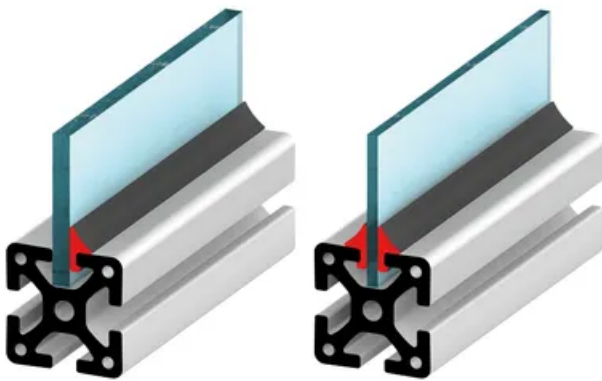
**Application:**

For sealing flat panels in a frame. Provides an anti-vibration seal. Not suitable for wire mesh panels.

**Material:** EPDM, deterioration and ozone resistant, oil and water resistant

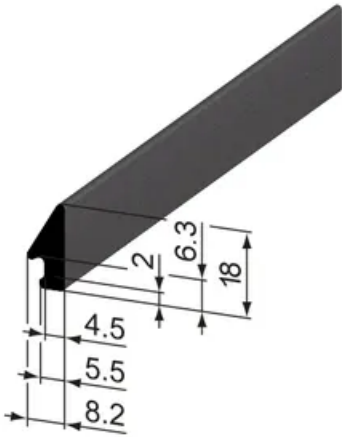
**System:** 40 - Slot 8

**Type:** Sealing, Coverstrips & Rubbers



SZ1900S

## Sealing Rubbers



SZ1901S

## General Data

Designation	Description	System	Weight (g/m)
<b>SZ1901S</b>	Sealing Rubber 40 4 mm	40 - Slot 8	60
<b>SZ1900S</b>	Sealing Rubber 40 6 mm	40 - Slot 8	30