

Angle Plate, steel

Universally applicable attachment bracket. Links two aluminium profiles at a right angle.

Mounting material:

M8 × 16 countersunk screw (DIN7991), M8 slot 8 slot nut

Material: Steel, black

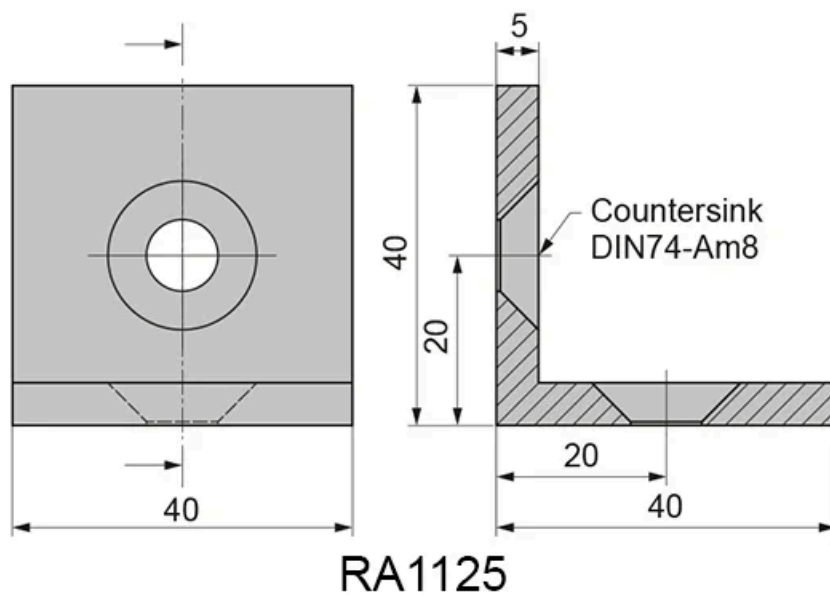
System: 40 - Slot 8

Type: Angles Brackets and Corners; Fasteners





General Data



| Designation | Description | System | Fmax (N) | Mmax (Nm) |
|-------------|-----------------|-------------|----------|-----------|
| RA1125 | Bracket 40 × 40 | 40 - Slot 8 | 1500 | 50 |