

## Double T-Nuts 40/20

**Application:**

T-nut for swiveling into the groove. Fits into the t-slot at any point. For fixing of foot plates and any other accessories that require a fixing pitch of 40 mm x M8 (20 mm x M6 respectively) thread. Raised area fits into t-slot to stop twisting.

SV2202V: bore hole distance: 40 mm, thread: M8

SV2210V: bore hole distance: 20 mm, thread: M6

**Material:** Steel, zinc-plated

**System:** 40 - Slot 8

**Type:** T-nuts



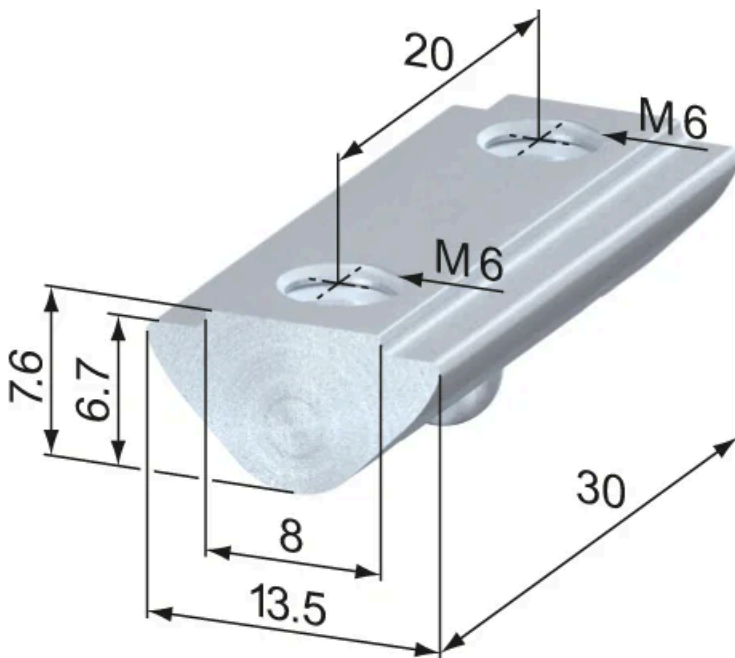
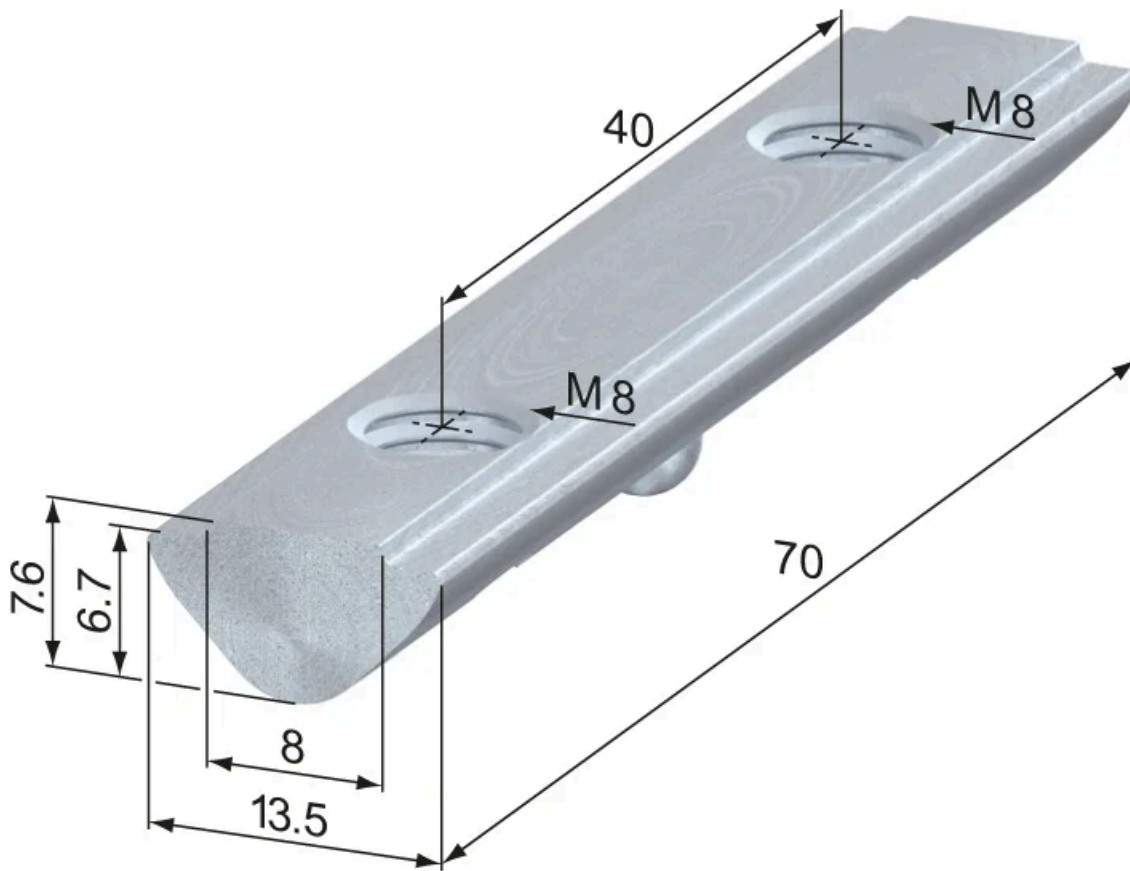
**T-Nuts, slide-in****T-Nuts, push-in****T-Slot Strength**

Information in regards to the maximum allowable t-slot load capability F. These values already include a safety factor ( $S > 2$ ) against plastic deformation.

Profile type	Max. pull charge F
standard	5000 N
semi	2500 N
light	2000 N
superlight	1750 N



**General Data**



Designation	System	Thread
SV2202V	40 - Slot 8	40 M8
SV2210V	40 - Slot 8	20 M6