

## T-Nuts, ball-type, push-in

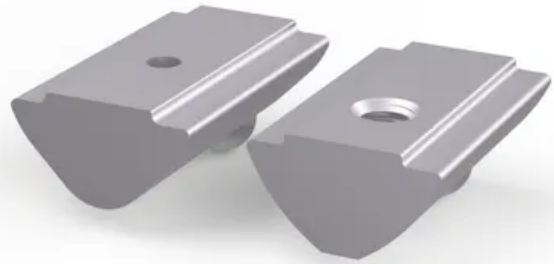
### Application:

T-nut for swiveling into the t-slot. Fits into the t-slot at any point. Held in position by a spring-loaded ball. Raised area fits into the t-slot to stop twisting.

**Material:** Zinc plated steel

**System:** 40 - Slot 8

**Type:** T-nuts



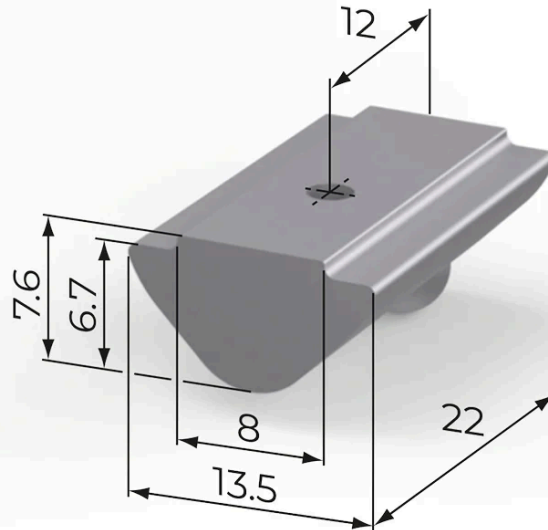
**T-Nuts, slide-in****T-Nuts, push-in****T-Slot Strength**

Information in regards to the maximum allowable t-slot load capability F. These values already include a safety factor ( $S > 2$ ) against plastic deformation.

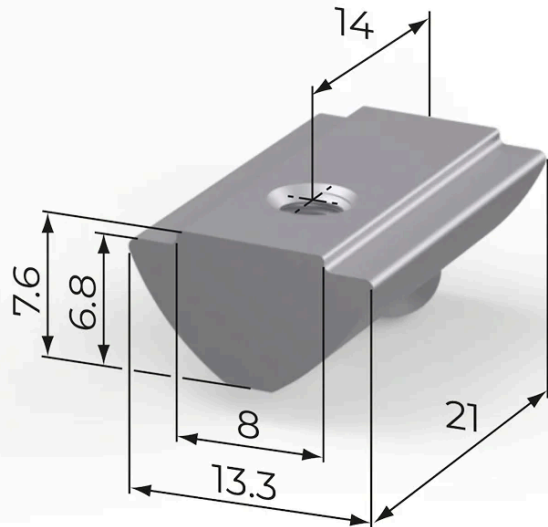
Profile type	Max. pull charge F
standard	5000 N
semi	2500 N
light	2000 N
superlight	1750 N



## General Data



RN1110, RN1178, RN1179, RN1180 & RN1181



RN1010, RN1015, RN1020 & RN1025

Designation	System	Material	Thread	Weight (g)
<b>RN1110</b>	40 - Slot 8	Steel, zinc-plated	M3	12
<b>RN1010</b>	40 - Slot 8	Steel, zinc-plated	M4	11
<b>RN1178</b>	40 - Slot 8	Stainless steel	M4	11

Designation	System	Material	Thread	Weight (g)
<b>RN1015</b>	40 - Slot 8	Steel, zinc-plated	M5	11
<b>RN1179</b>	40 - Slot 8	Stainless steel	M5	11
<b>RN1020</b>	40 - Slot 8	Steel, zinc-plated	M6	10
<b>RN1180</b>	40 - Slot 8	Stainless steel	M6	10
<b>RN1025</b>	40 - Slot 8	Steel, zinc-plated	M8	9
<b>RN1181</b>	40 - Slot 8	Stainless steel	M8	9