

Belts

The standard belt for our Timing belt conveyors is a white TPU with steel cord that is covered on the tooth side with a polyamide fabric to reduce noise and friction.

The profile of the belt is the well proven AT10 for both TB40 and TB80.

Option with coating, cleats, and false teeth.

Belt tension is easily adjusted with open screws on the slave/return side.

Dimensions in mm.

For other type of belt requirements please contact Rollco.





Standard TPU

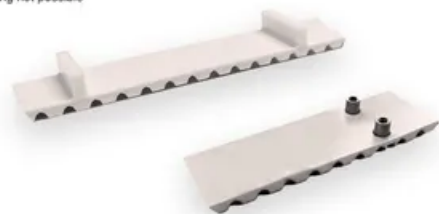


Green polyamide fabric



Standard TPU + Coating Linatex

Standard TPU with cleats
*coating not possible



Standard TPU with false teeth
*coating not possible

Belt tension



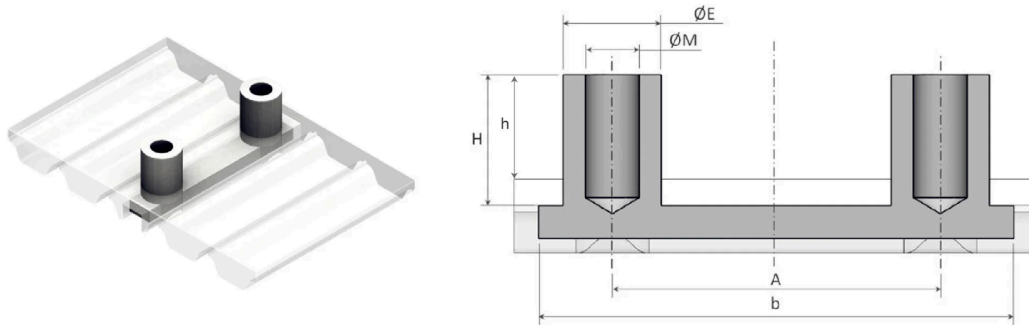
*Belt is always properly tensioned upon delivery

General Data

| Designation | Type | Tooth | Material | Colour | Material Tooth Side |
|------------------|------------------------|-------|-----------------------|---------------------|---------------------|
| Belt-A | Standard | AT10 | TPU | White (Top surface) | PA fabric green |
| Belt-B | Standard + Coating | AT10 | TPU + Linatex 2mm | Red (Top surface) | PA fabric green |
| Belt-C | Standard + Coating | AT10 | TPU + Linatex 4mm | Red (Top surface) | PA fabric green |
| Belt-A-CL | Standard + Cleats | AT10 | TPU + Bonded PU | White (Top surface) | PA fabric green |
| Belt-A-CM | Standard + Cleats | AT10 | TPU + Bonded PU | White (Top surface) | PA fabric green |
| Belt-A-CH | Standard + Cleats | AT10 | TPU + Bonded PU | White (Top surface) | PA fabric green |
| Belt-A-FT | Standard + False Teeth | AT10 | TPU + Stainless steel | White (Top surface) | PA fabric green |

| Designation | Timing Belt Conveyor | Cleat Size (HxWxT) | C/C Cleats/False Teeth |
|-------------|----------------------|--------------------|------------------------|
| Belt-A | TB40/TB80 | - | - |
| Belt-B | TB40/TB80 | - | - |
| Belt-C | TB80 | - | - |
| Belt-A-CL | TB40/TB80 | 10x32x4 | See CAD-configurator |
| Belt-A-CM | TB40/TB80 | 20x32x4 | See CAD-configurator |
| Belt-A-CH | TB40/TB80 | 30x32x4 | See CAD-configurator |
| Belt-A-FT | TB40/TB80 | See drawing | See CAD-configurator |

False Teeth Data



| Designation | b | ØE | Thread ØM | H | h |
|-------------|----|----|-----------|---|---|
| Belt-A | - | - | - | - | - |
| Belt-B | - | - | - | - | - |
| Belt-C | - | - | - | - | - |
| Belt-A-CL | - | - | - | - | - |
| Belt-A-CM | - | - | - | - | - |
| Belt-A-CH | - | - | - | - | - |
| Belt-A-FT | 29 | 6 | M4x8 | 8 | 6 |

| Designation | A |
|-------------|----|
| Belt-A | - |
| Belt-B | - |
| Belt-C | - |
| Belt-A-CL | - |
| Belt-A-CM | - |
| Belt-A-CH | - |
| Belt-A-FT | 20 |