

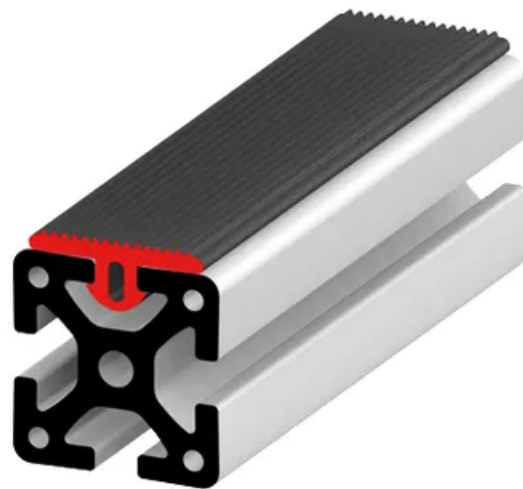
## Cover Profile 16

Application: Suitable for covering profile surfaces. The rubber material provides a non-slip surface.

Material: NBR, black, hardness 70° Shore A, oil and water resistant

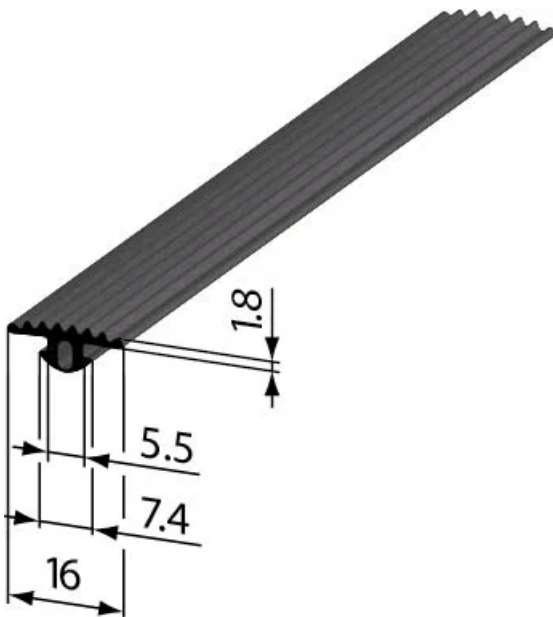
**System:** 20 - Slot 5

**Type:** Sealing, Coverstrips & Rubbers





## General Data



Designation	Description	System	Weight (g/m)
SZ1912S	Cover Profile 16 x 2.2	20 - Slot 5	60