

## Inside Hinge Element

For surface elements and aluminium profiles.

Lets you create your own combination of inside hinges.

To build a complete hinge: 2 x wing; 1 x pin, 2 x cap

Material: Wing = Anodised aluminium; Pin = Stainless steel

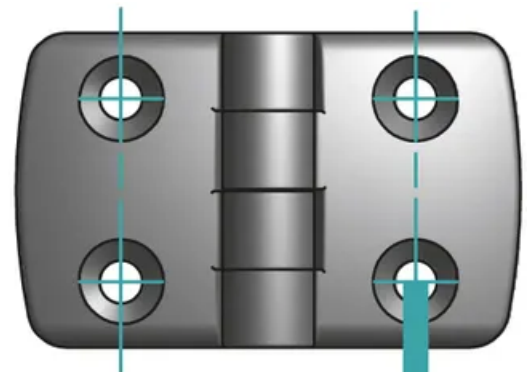
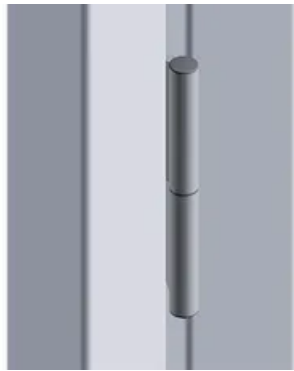
On-site mount: by M6 × 10 – M6 × 16 countersunk screw,  
slot 6 M6.

Mounting instruction: ESD-ready only if using notched slot  
nuts.

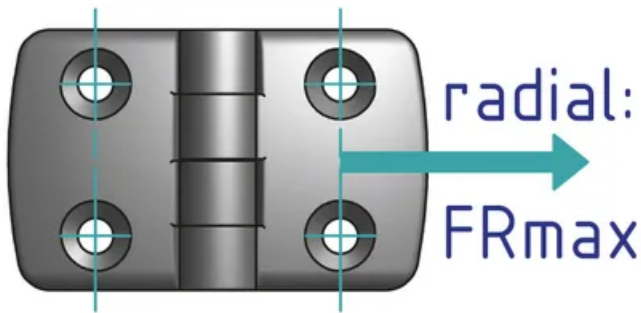
**System:** 30 - Slot 6; 20 - Slot 5

**Type:** Hinges



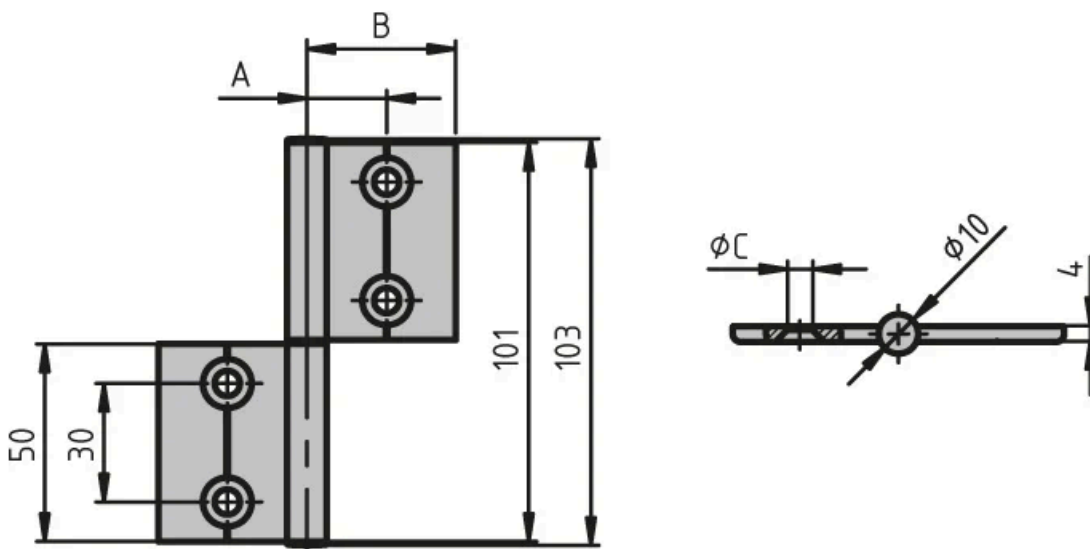


axial:  $F_{Amax}$



radial:  
 $F_{Rmax}$

### General Data



| Designation | Description                | Material           | A    | B  | C   |
|-------------|----------------------------|--------------------|------|----|-----|
| PZ5315      | Internal Hinge Set, Slot 5 | Anodised aluminium | 14.5 | 22 | 5.3 |
| PZ5316      | Internal Hinge Set, Slot 6 | Anodised aluminium | 19.5 | 32 | 6.4 |

| Designation | ESD | $F_{Amax}$ (N) | $F_{Rmax}$ (N) | Wing |
|-------------|-----|----------------|----------------|------|
| PZ5315      | Yes | 150            | 100            | 20   |

| Designation | ESD | FMax (N) | FRmax (N) | Wing |
|-------------|-----|----------|-----------|------|
| PZ5316      | Yes | 150      | 100       | 30   |