

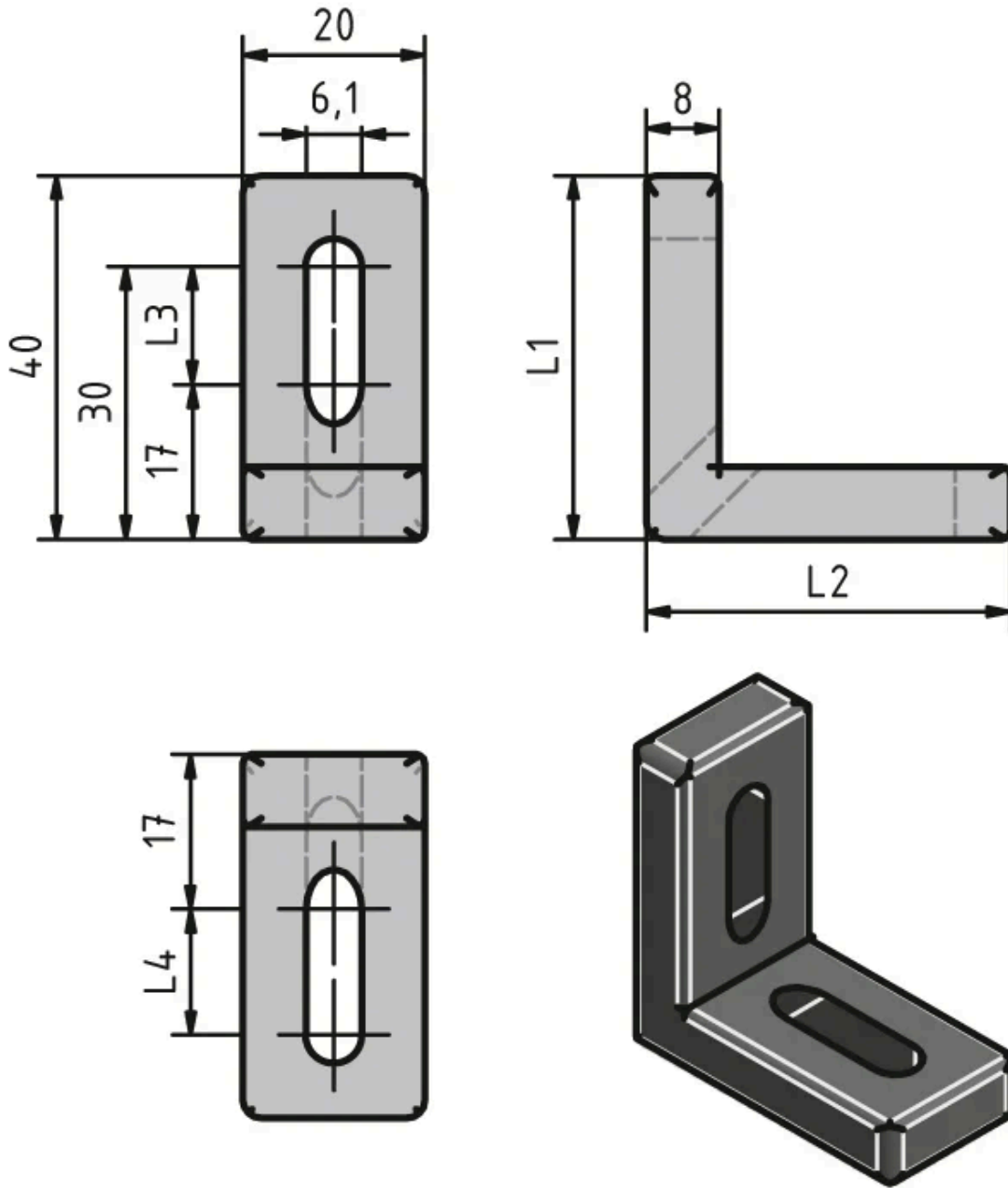
## Mounting Angle

Variable angles for mounting components.  
Oblong holes provide a wide range of position and angle adjustment. Use up to M6 screws to attach them.  
Material: Black die-cast zinc

**System:** 40 - Slot 8; 30 - Slot 6; 20 - Slot 5  
**Type:** Angles Brackets and Corners; Fasteners



## General Data



Designation	L1	L2	L3	L4
RA1920	40	40	13	13
RA1925	60	40	33	13
RA1935	80	40	53	13