

## Angle Element

Connecting element for mounting a profile at a 45° angle when building intersections or trusswork.

Use the angle element with a universal connector.

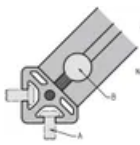
Use caps Slot 6 30 × 30, 45°.

Material: Anodised aluminium

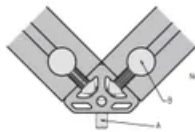
Note: Use a notched slot nut to ensure that the connection is ESD-ready.

**System:** 30 - Slot 6

**Type:** Angles Brackets and Corners; Fasteners

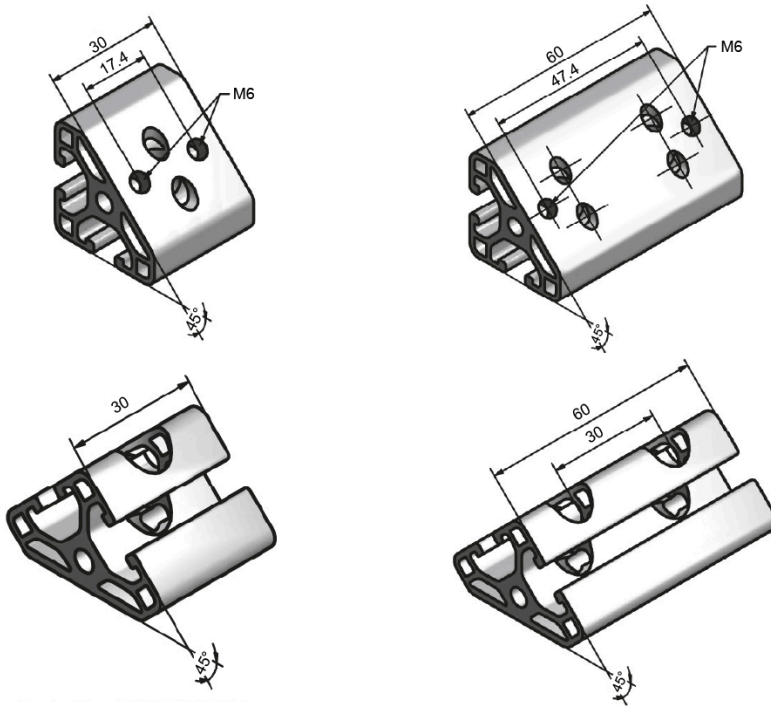


Angle element T1  
 Nut 6: A Round head screw (D) 7380-M6x12  
 Washer (DN) 125-6,4  
 Universal connector 6



Angle element T2  
 Nut 6: A Round head screw (D) 7380-M6x16  
 Universal connector 6

## General Data



Designation	Description	System	ESD
PZ3210	Angle element T1-30	30 - Slot 6	Yes
PZ3215	Angle element T1-60	30 - Slot 6	Yes
PZ3220	Angle element T2-30	30 - Slot 6	Yes
PZ3225	Angle element T2-60	30 - Slot 6	Yes